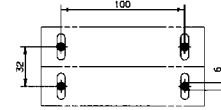
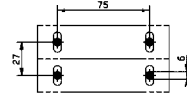


Cable Lug 32/35 mm DIN-Rail Terminals Feed Through

WFF 35

WFF 70



Dimensions

Width/Length/Height (mm)

With TS 35 x 7.5

With TS 32

mm

Insulation stripping length

Technical data

Rated voltage/current/wire size

Cable lug DIN 46235

Cable lug DIN 46234

Torque

Clamping screw

Nm (lb. in.)

M

Ordering data

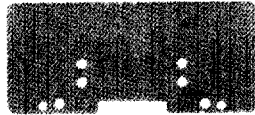
Version

Beige Wemid

Blue Wemid

Beige Wemid With cover

Partition (thickness 2mm)



Jumpers



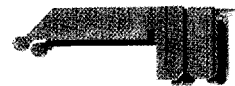
WQL

Auxiliary/Control conductor terminal

4 mm wire => M4 screw
30 A max.



Cover



Warning label



Yellow, self-adhesive
With lightning flash
Can be attached to WAH only

Panel Mounting screw



For direct assembly

Screwdriver

Cupal washers

For aluminium conductors

Marking tags

Note: Part numbers are shown for a single card of pre-printed tags numbered 1-50. For additional information, see section 5.

Print

Consecutive horizontal

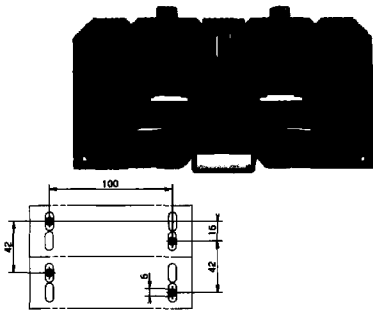
Consecutive vertical

With TS 35 x 7.5	27/107/135/52	-	32/132/179/62	-
With TS 32	-	27/107/135/62.5	-	32/132/179/71.5
UL	600V / 115A / #14...2 AWG	600V / 115A / #14...2 AWG	600V / 175A / #14...2/0 AWG	600V / 175A / #14...2/0 AWG
CSA	600V / 130A / #14...2 AWG	600V / 130A / #14...2 AWG	600V / 170A / #14...2/0 AWG	600V / 170A / #14...2/0 AWG
VDE	1000V / 125A / 35mm ²	1000V / 125A / 35mm ²	1000V / 192A / 70mm ²	1000V / 192A / 70mm ²
6...25	6...25	6...25	16...70	16...70
2.5...50	2.5...50	2.5...50	2.5...120	2.5...120
3.0 (39.8)	3.0 (39.8)	3.0 (39.8)	6.0 (88.5)	6.0 (88.5)
6	6	6	8	8
Version				
Beige Wemid	102830	103170	102840	103180
Blue Wemid	102838	103178	102848	103188
Beige Wemid With cover	102930		102940	
Type	WTW WFF 35	WTW WFF 35	WTW WFF 70	WTW WFF 70
Cat. No.	106710	106710	106720	106720
2 pole	WQL 2/35 106490	WQL 2/35 106490	WQL 2/70 106500	WQL 2/70 106500
3 pole	WQL 3/35 106540	WQL 3/35 106540	WQL 3/70 106550	WQL 3/70 106550
WZAF 35	WZAF 35 107050	WZAF 35 107050	WZAF 70 106620	WZAF 70 106620
WAH 35	WAH 35 106446	WAH 35 106446	WAH 70 106456	WAH 70 106456
Blue Polyamide	WAH 35 BL 106448	WAH 35 BL 106448	WAH 70 BL 106458	WAH 70 BL 106458
Light Green Polyamide	WAH 35 HG 106445	WAH 35 HG 106445	WAH 70 HG 106455	WAH 70 HG 106455
WAP*	WAP* 106970	WAP* 106970	WAP* 106980	WAP* 106980
WD 1	WD 1 156390	WD 1 156390	WD 1 156390	WD 1 156390
Qty. = 5 cards with	Qty. = 5 cards with	Qty. = 5 cards with	Qty. = 5 cards with	Qty. = 5 cards with
6 labels on each	6 labels on each	6 labels on each	6 labels on each	6 labels on each
M 6 x 16	M 6 x 16 106370		M 6 x 16 106370	
SD	SD 903703		SD 903703	
CPSB M 6	CPSB M 6 15620	CPSB M 6 15620	CPSB M 8 15630	CPSB M 8 15630
FW 5	FW 5 473460001	FW 5 473460001	FW 5 473460001	FW 5 473460001
FS 5	FS 5 473560001	FS 5 473560001	FS 5 473560001	FS 5 473560001

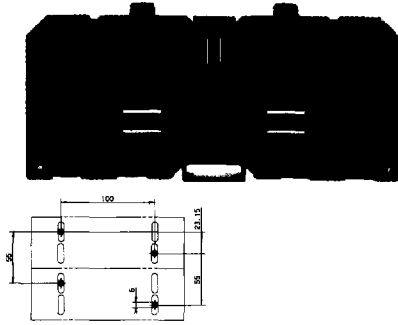
See Section 5 for mounting rails, end brackets, additional marking material and accessories.

* The WAP can be used only in conjunction with the WAH. In the event that no conductor is connected, it ensures shock protection in the connection area.

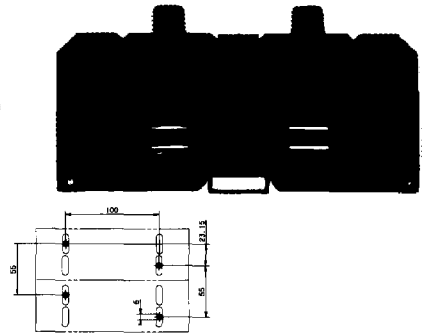
WFF 120



WFF 185



WFF 300



WFF 120		WFF 185		WFF 300	
Type	Cat. No.	Type	Cat. No.	Type	Cat. No.
WTW WFF 120	106730	WTW WFF 120	106730	WTW WFF 300	106740
WQL 2/120	106510	WQL 2/120	106510	WQL 2	106520
WQL 3/120	106560	WQL 3/120	106560	WQL 3	106570
WZAF 120	106630	WZAF 120	106630	WZAF 185	106640
WAP*	106980	WAP*	106980	WZAF 300	106650
WAH 120	106466	WAH 120	106466	WAH 185/300	106476
WAH 120 BL	106468	WAH 120 BL	106468	WAH 185/300 BL	106478
WAH 120 HG	106465	WAH 120 HG	106465	WAH 185/300 HG	106475
WD 1	156390	WD 1	156390	WD 1	156390
Qty. = 5 cards with 6 labels on each		Qty. = 5 cards with 6 labels on each		Qty. = 5 cards with 6 labels on each	
M 6 x 16	106370	M 6 x 16	106370	M 6x16	106370
SD	903703	SD	903703	SD	903703
CPSB M 10	15640	CPSB M 10	15640	CPSB M 12	15650
FW 5	473460001	FW 5	473460001	CPSB M 16	15660
FS 5	473560001	FS 5	473560001	FW 5	468660001
				FS 5	468760001