

PT01_STMS_0000_O209E_XX.X_M0

Description

Single Pigtail, FST, OM2, MM ,fiber 0.9mm_XX.X_orange, OM2



Features	Features
- Bayonet nut connector	
- One piece design	
- Metal bayonet	

Technical Data

General Data

Description	Values
General Typ	ST pigtail
Operation temperature	-40 up to 85°C
UL Rating	UL 94 V-0
RoHS compliant 2001/65/EU	Yes
REACH compliant	Yes

Connector left

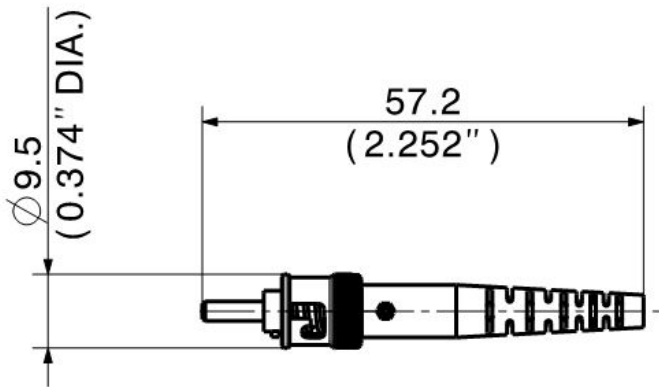
Description	Values
Connector typ	ST pigtail
Polish	UPC
Color Housing	Metal
Color Boot	Black
Design connector acc. To	IEC 61754-2, TIA 604-2
Performance class H+S	M
Insertion loss 97% dB / mean dB	0.25 / 0.12
Return Loss	35
Durability	1000

Cable

Description	Values
Cable typ	Semi-tight Tube
Fiber count	1
Fiber	1 x 0.9 mm
Fiber typ	G50/125-OM2 G.651

PT01_STMS_0000_O209E_XX.X_M0

Technical Drawing



Ordering information

Meter (m)	Item number	Description
2	84005006	PT01_STMS_0000_O209E_02.0_M0