

PLCC SOCKET, .320" HIGH JEDEC TYPE A

SPECIFICATIONS

ENVIRONMENTAL

Temperature Range: -55°C to +105°C

MECHANICAL

Insulator Material: Glass-filled polyester, black, UL94V-0

Contact Material: Copper Alloy

Contact Plating: 250µ IN Tin

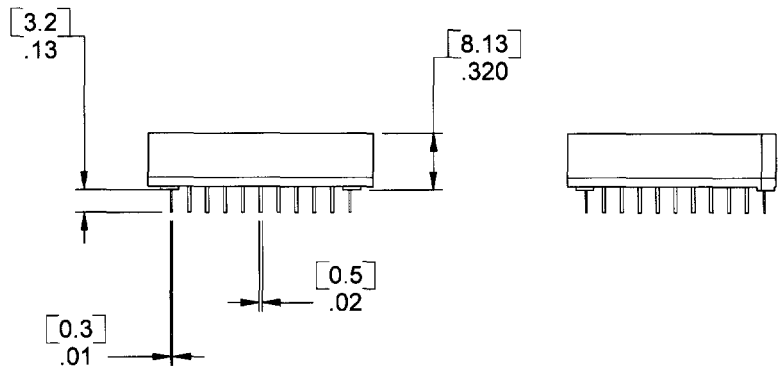
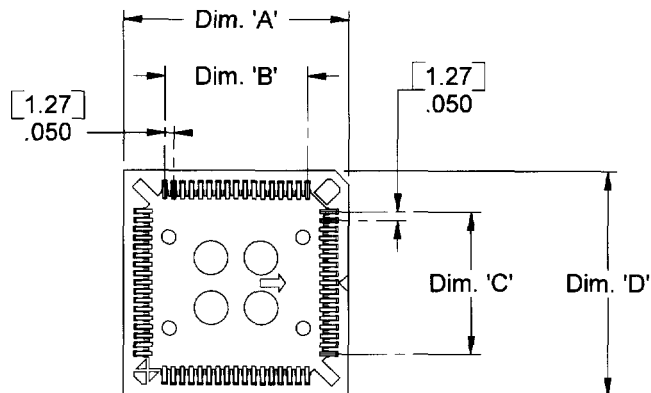
ELECTRICAL

Current Rating: 1 AMP

CA- POSITION SPC-T

POSITION	
20	52
28	68
32	84
44	

DIMENSIONS				
Position	A	B	C	D
20	.610 [15.50]	.200 [5.08]	.200 [5.08]	.610 [15.50]
28	.720 [18.30]	.300 [7.62]	.300 [7.62]	.720 [18.30]
32	.838 [21.30]	.400 [10.16]	.400 [10.16]	.838 [21.30]
44	.925 [23.50]	.500 [12.70]	.500 [12.70]	.925 [23.50]
52	1.019 [25.90]	.600 [15.24]	.600 [15.24]	1.019 [25.90]
68	1.224 [31.10]	.800 [20.32]	.800 [20.32]	1.224 [31.10]
84	1.417 [36.00]	1.000 [25.40]	1.000 [25.40]	1.417 [36.00]



Drawing Number CA-610213

For more information please contact our customer service department or visit our website at circuitassembly.com