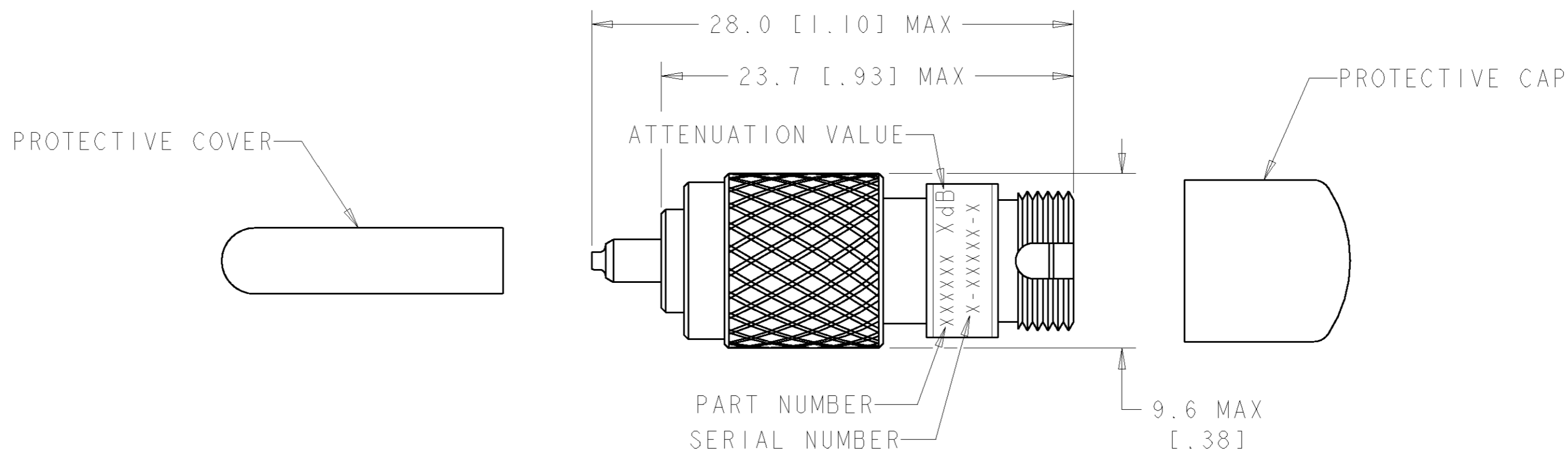
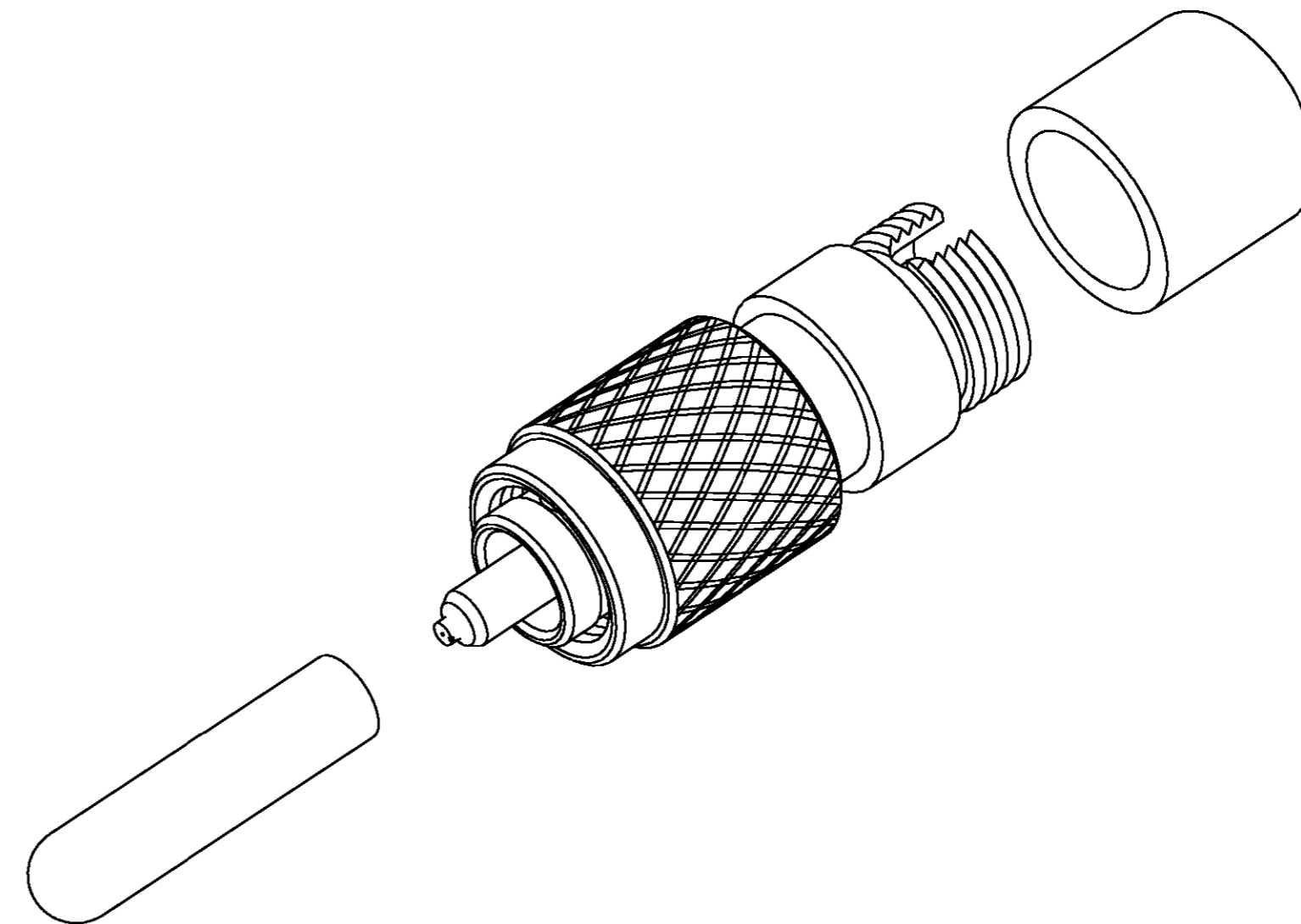


THIS DRAWING IS UNPUBLISHED. RELEASED FOR PUBLICATION 20
 © COPYRIGHT 20 BY TYCO ELECTRONICS CORPORATION. ALL RIGHTS RESERVED.

LOC	DIST	REVISIONS					
		P	LTR	DESCRIPTION	DATE	DWN	APVD
CE	16	A		REV PER EC 0A10-0103-01	10-25-00	DE	SM
		B		REV PER EC 0A10-0134-01	26SEP2001	JAB	CB

ATTENUATION (dB)	PART NO
1	209845-1
2	209845-2
3	209845-3
4	209845-4
5	209845-5
6	209845-6
7	209845-7
8	209845-8
9	209845-9
10	1-209845-0
11	1-209845-1
12	1-209845-2
13	1-209845-3
14	1-209845-4
15	1-209845-5
16	1-209845-6
17	1-209845-7
18	1-209845-8
19	1-209845-9
20	2-209845-0
25	2-209845-5



PERFORMANCE REQUIREMENTS:
 OPERATING WAVELENGTH : 1310/1550 ±25nm
 REFLECTANCE : ≤ -60dB
 OPERATING TEMPATURE : -40°C TO 75°C
 ATTENUATION TOLERANCE, AMBIENT
 FOR ATTENUATION ≥ 5dB : ±10% OF NOMINAL ATTENUATION VALUE
 FOR ATTENUATION < 5dB : ±0.50dB
 MEASURED WITH REFERENCE QUALITY LAUNCH LEADS

THIS DRAWING IS A CONTROLLED DOCUMENT FOR TYCO ELECTRONICS CORPORATION IT IS SUBJECT TO CHANGE AND THE CONTROLLING ENGINEERING ORGANIZATION SHOULD BE CONTACTED FOR THE LATEST REVISION.		DWN D. ERDMAN 10-25-00	Tyco Electronics Harrisburg, PA 17105-3608
DIMENSIONS: mm [INCHES]		CHK S. MILLER 10-25-00	
TOLERANCES UNLESS OTHERWISE SPECIFIED: 0 PLC ± 1 PLC ±0.1 2 PLC ±0.02 3 PLC ±0.005 4 PLC ±0.0005 ANGLES ±		APVD S. BUCHTER 10-25-00	
MATERIAL - FINISH -		PRODUCT SPEC -	
		APPLICATION SPEC -	NAME ATTENUATOR, OPTICAL, BUILDOUT, SM FC/APC 8 DEGREE, DUAL WINDOW
		WEIGHT -	SIZE A2
		CUSTOMER DRAWING	CAGE CODE 00779
		SCALE 5:1	DRAWING NO 209845
		SHEET 1 OF 1	RESTRICTED TO -
		REV B	