



FM2981
HIGH POWER MOTORCYCLE
IGNITION CONTROLLER

Specification

May. 2008

INFORMATION IN THIS DOCUMENT IS INTENDED AS A REFERENCE TO ASSIST OUR CUSTOMERS IN THE SELECTION OF SHANGHAI FUDAN MICROELECTRONICS CO., LTD PRODUCT BEST SUITED TO THE CUSTOMER'S APPLICATION; THEY DO NOT CONVEY ANY LICENSE UNDER ANY INTELLECTUAL PROPERTY RIGHTS, OR ANY OTHER RIGHTS, BELONGING TO SHANGHAI FUDAN MICROELECTRONICS CO., LTD OR A THIRD PARTY. WHEN USING THE INFORMATION CONTAINED IN THIS DOCUMENTS, PLEASE BE SURE TO EVALUATE ALL INFORMATION AS A TOTAL SYSTEM BEFORE MAKING A FINAL DECISION ON THE APPLICABILITY OF THE INFORMATION AND PRODUCTS. SHANGHAI FUDAN MICROELECTRONICS CO., LTD ASSUMES NO RESPONSIBILITY FOR ANY DAMAGE, LIABILITY OR OTHER LOSS RESULTING FROM THE INFORMATION CONTAINED HEREIN. SHANGHAI FUDAN MICROELECTRONICS CO., LTD PRODUCTS ARE NOT INTENDED FOR USE IN MEDICAL, LIFE SAVING, OR LIFE SUSTAINING APPLICATIONS. THE PRIOR WRITTEN APPROVAL OF SHANGHAI FUDAN MICROELECTRONICS CO., LTD IS NECESSARY TO REPRINT OR REPRODUCE IN WHOLE OR IN PART THESE DOCUMENTS.

Future routine revisions will occur when appropriate, without notice. Contact Shanghai Fudan Microelectronics Co., Ltd sales office to obtain the latest specifications and before placing your product order. Please also pay attention to information published by Shanghai Fudan Microelectronics Co., Ltd by various means, including Shanghai Fudan Microelectronics Co., Ltd home page (<http://www.fmsh.com/>).

Please contact Shanghai Fudan Microelectronics Co., Ltd local sales office for the specification regarding the information in this documents or Shanghai Fudan Microelectronics Co., Ltd products.

Trademarks

Shanghai Fudan Microelectronics Co., Ltd name and logo, the “复旦” logo are trademarks or registered trademarks of Shanghai Fudan Microelectronics Co., Ltd or its subsidiaries in China.

Shanghai Fudan Microelectronics Co., Ltd, Printed in the China, All Rights Reserved.

Product Overview

Instruction

FM2981 is an electrical ignition IC for large power motorcycle. It has the features of high reliability and convenience, simple peripheral circuit.

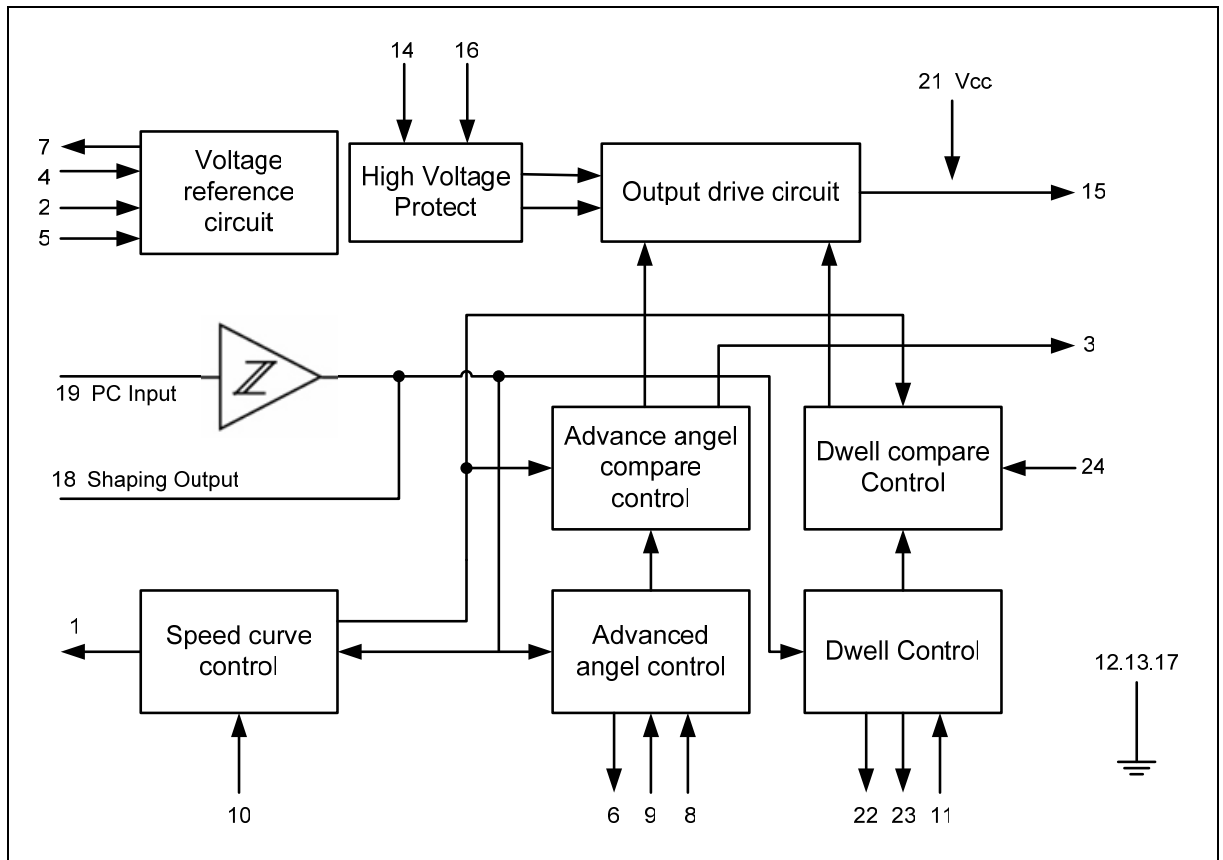
Feature

- ◆ Operating Voltage Range: 5V to 20 V
- ◆ Excellent temperature characteristic
- ◆ High voltage protection
- ◆ Operating Temperature Range: -10℃ to +80 ℃
- ◆ DIP package, 24 pin

Pin Function

Pin	Function	Pin	Function
1	External charge capacitor	13	Ground
2	Reference voltage	14	External resistor and capacitor
3	External capacitor	15	Output
4	Reference voltage	16	High voltage protection
5	Reference voltage	17	Ground
6	External charge capacitor	18	Test
7	Current source output	19	Input
8	External resistor	20	NC
9	External resistor	21	Power
10	External resistor	22	External capacitor
11	External resistor	23	External capacitor
12	Ground	24	External capacitor

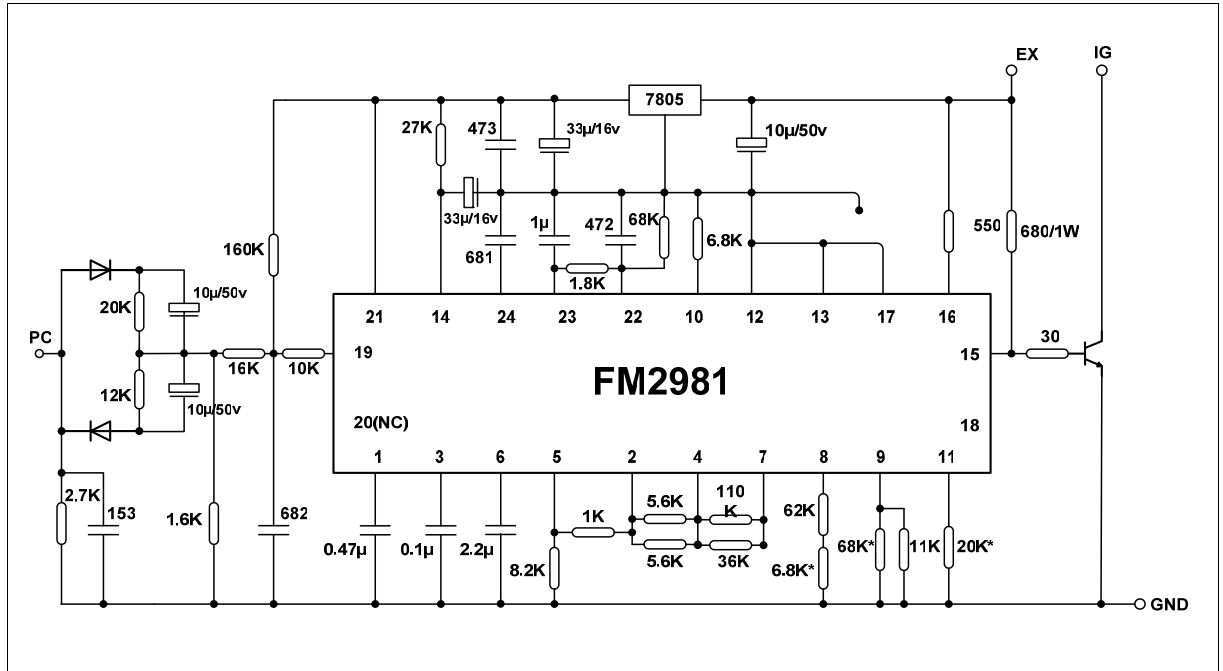
Block Diagram



Electronics Characteristics

Symbol	Parameter	Conditions	Typ	Unit
V ₇	Pin7 Voltage	25°C	1.44	V
V ₅	Pin5 Voltage	25°C	0.30	V
V ₄	Pin4 Voltage	25°C	0.434	V
V ₂	Pin2 Voltage	25°C	0.33	V
I ₈	Pin8 Current	25°C	22	μA
I ₉	Pin9 Current	25°C	147	μA
I ₁₀	Pin10 Current	25°C	203	μA
I ₁₁	Pin11 Current	25°C	71	μA

Application Circuit



Revision History

Version	Publication date	Pages	Paragraph or Illustration	Revise Description
1.0	Oct. 2007	7		Initial Release.
1.1	May. 2008	7	Sales and service	Updated the address of HK office.

Sales and Service

Shanghai Fudan Microelectronics Co., Ltd.

Address: Bldg No. 4, 127 Guotai Rd, Shanghai City China.

Postcode: 200433

Tel: (86-21) 6565 5050

Fax: (86-21) 6565 9115

Shanghai Fudan Microelectronics (HK) Co., Ltd.

Address: Unit 506, 5/F., East Ocean Centre, 98 Granville Road,
Tsimshatsui East, Kowloon, Hong Kong

Tel: (852) 2116 3288 2116 3338

Fax: (852) 2116 0882

Beijing Office

Address: Room.1208, Bldg C,

Zhongguancun Science and Technology Development Edifice,
34 zhongguancun Street (South), Haidian District, Beijing City,
China.

Tel: (86-10) 6212 0682 6213 9558

Fax: (86-10) 6212 0681

Shenzhen Office

Address: Room.1301, Century Bldg, Shengtingyuan Hotel,
Huaqiang Rd (North), Shenzhen City, China.

Postcode: 518028

Tel: (86-755) 8335 3211 8335 6511

Fax: (86-755) 8335 9011

Web Site: <http://www.fmsb.com/>