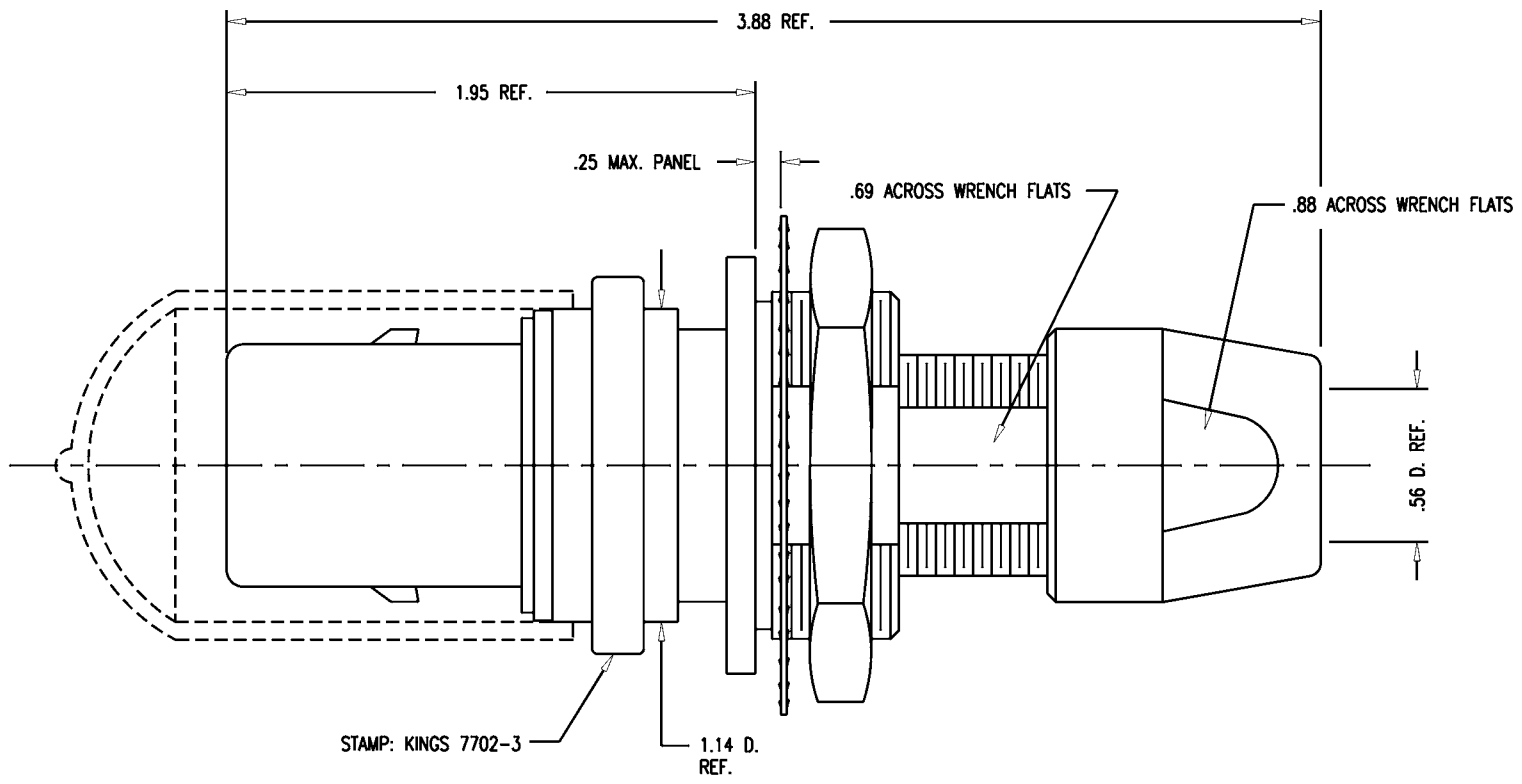


GSD

7702-3

REVISIONS	
ISSUE	CHANGES
0	ER 35429 KH 04/17/95
1	CN 36678 A KH 11/07/95



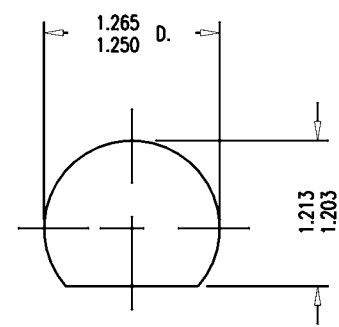
GSD

KAM5553

NOTES:

- FOR USE WITH 740 CABLE GROUP.
- FOR CABLING INSTRUCTIONS SEE KAI-8010.
- FOR CRIMPING USE DIE SIZE KTH-2041.
- MATERIALS:**
 INSULATORS: TEFLON, ASTM-D-4894
 LOCKWASHER: SPRING STEEL, PER ASTM-A682
 CONDUCTIVE GASKET: CONSIL C 87-10004, 60-70 DUROMETER
 GASKETS: SILICONE RUBBER, ZZ-R-765
 CAP: VINYL
 K-GRIP SLEEVE: COM'L BRONZE, ASTM-B-140
 OUTER CONTACT: PHOSPHOR BRONZE, ASTM-B-103
 BODY: BER. COPPER, ASTM-B-196
 ALL OTHER METAL PARTS: BRASS, ASTM-B16

- FINISHES:**
 CENTER CONTACT: GOLD PLATE PER MIL-G-45204
 LOCKWASHER
 NUTS
 COLLET
 OUTER BODIES
 BODY RING
 ALL OTHER METAL PARTS: SILVER PLATE PER QQ-S-365
 } KINGS TARNISH RESISTANT NICKEL FINISH (TR-5)
- ELECTRICAL CHARACTERISTICS:**
 NOMINAL IMPEDANCE: 75 Ω
 FREQUENCY RANGE: DC-500 MHZ
 VOLTAGE BREAKDOWN: CENTER CONDUCTOR/INNER GROUND: 1500 VRMS
 INNER GROUND/OUTER GROUND: 500 VRMS



MOUNTING HOLE

SCALE 2:1	
APPROX SURFACE AREA	
USED ON	
REF: KP-8012-747-400	
PL, BKHD, TRI-LOC SERIAL DIGITAL	
DRAWN KH	DATE 04/17/95
DESIGN DW	DATE 04/18/95
APPR.	DATE

KINGS
 ELECTRONICS CO., INC.
 TUCKAHOE, NEW YORK 10707

7702-3