

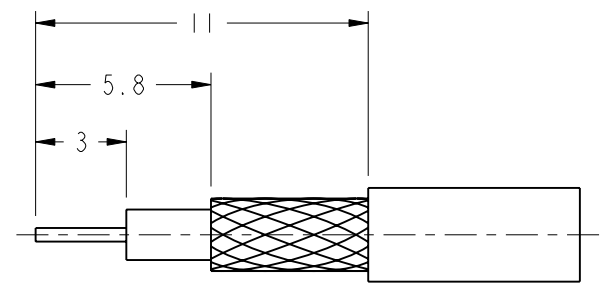
NOTES:

1. MATERIALS AND FINISH (IN MICRO-INCHES)
 - BODY = BRASS (PER ASTM B16, ALLOY C36000), NICKEL PL. 100 MIN. THICK OVER COPPER STRIKE
 - CONTACT = BERYLLIUM COPPER (PER ASTM B196, ALLOY C17300), GOLD PL. 30 MIN. THICK OVER NICKEL PL. 100 MIN. THICK OVER COPPER STRIK
 - INSULATORS = PTFE PER ASTM D1710, COLOR: NATURAL.
 - LOCK COVER = NYLON 66, PER NYTEX COMPOSITES GRADE MG-0033N-V0 OR EQUIVALENT; COLOR AND KEY CODE: SEE TABLE BELOW
 - FERRULE = COPPER (PER ASTM B-75 ALLOY C12200 OR EQUIVALENT) NICKEL PL. 100 MIN. THICK OVER COPPER STRIKE
2. ELECTRICAL:
 - A. IMPEDANCE: 50 OHM (NOMINAL)
 - B. FREQUENCY RANGE: DC - 6 GHz, (OPTIMIZED FOR DC-4GHz)
 - C. VSWR (RETURN LOSS): 1.4 (-15.6 dB), MAX. (DC-2GHz) (MATED PAIR) 1.5 (-13.9 dB), MAX. (2-3GHz)
 - D. DIELECTRIC WITHSTANDING VOLTAGE: 800 VRMS, MIN.
3. MECHANICAL:
 - A. DURABILITY: 100 CYCLES MIN.
 - B. TEMPERATURE RANGE: -40° C TO 115° C
4. PACKAGING:
 - A. QUANTITY: TRAY PACK
 - B. MARKING: TRAY TO BE MARKED "AMPHENOL, FAI-NXSJ-C07-0, AND DATE CODE"
5. A. CRIMPED CONTACT PIN AFM8 ADJUST TO 4 POSITIONER K727
B. CRIMPED FERRULE HEX CRIMP SIZE .128"
6. ALL DIMENSIONS MECHANICAL & ELECTRICAL DESIGN COMPLY WITH DIN72594-1 AND USCAR-18 SPEC.

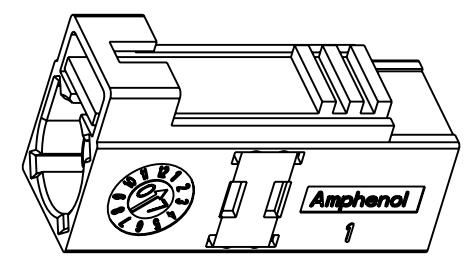
THIRD ANGLE PROJ.

REVISIONS

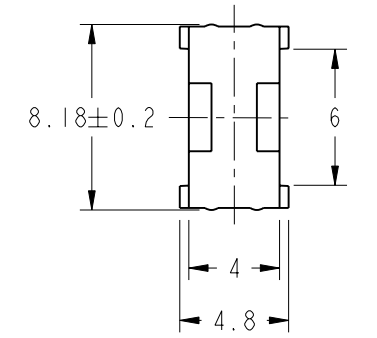
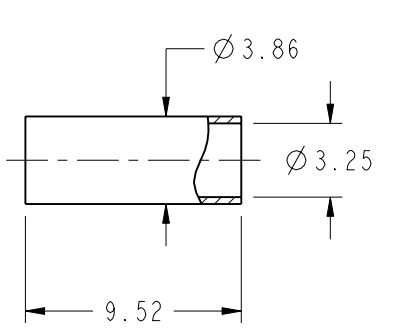
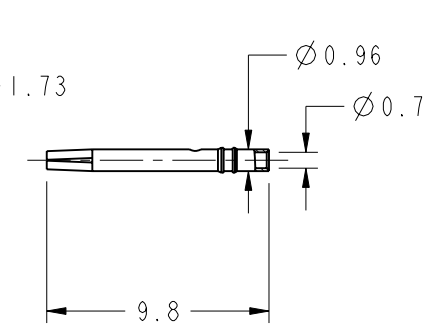
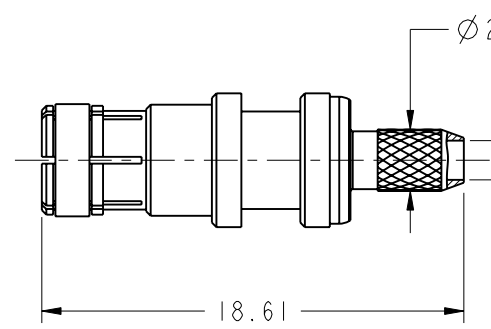
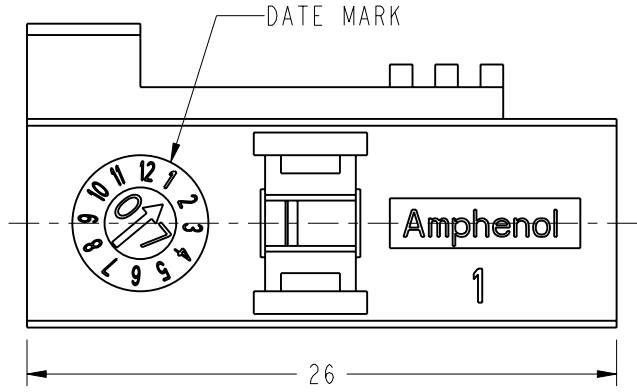
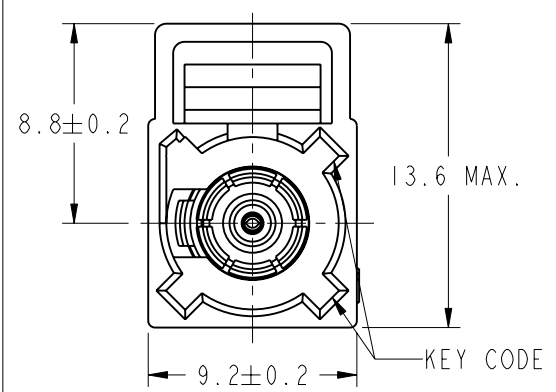
REV	DESCRIPTION	DATE	ECO	APPR
A	RELEASE TO MFG.	03/08/06	45949	JERRY
B	ADD 4 ROUND RIBS ON CLIP \RD-DM06032401B\	24-Mar-06	-----	BRUCE
BI	ADDED: ±0.20; REMOVED 8mm;	05/09/06	46507	HELLEN
C	UPDATED THE NOTE 1,2; ADDED NOTE 6; \RD-DMI0011301A\	15-Jan-10	-----	Andy
D	ADD LEFT VIEW DRAWING \RD-DMI0061101S2	14-Jun-10	-----	SH



RECOMMENDED CABLE STRIPPING DIM'S



SCALE 2.000



CODING	DRAWING NO.	COLOR	RAL NO.
A	FAI-NASJ-C07-0	JET BLACK	9005
B	FAI-NBSJ-C07-0	CREAM	9001
C	FAI-NCSJ-C07-0	SIGNAL BLUE	5005
D	FAI-NDSJ-C07-0	CLARET VIOLET	4004
E	FAI-NESJ-C07-0	LEAF GREEN	6002
F	FAI-NFSJ-C07-0	NUT BROWN	8011
G	FAI-NGSJ-C07-0	BLUE GREY	7031
H	FAI-NHSJ-C07-0	HEATHER VIOLET	4003
I	FAI-NISJ-C07-0	BEIGE	1001
K	FAI-NKSJ-C07-0	CURRY	1027
L	FAI-NLSJ-C07-0	CARMINE RED	3002
M	FAI-NMSJ-C07-0	PASTEL ORANGE	2003
N	FAI-NNSJ-C07-0	PASTEL GREEN	6019
Z	FAI-NZSJ-C07-0	WATER BLUE	5021

CONFIGURATION CONTROL:
NO CHANGES PERMITTED TO DRAWING WITHOUT
PPAP QUALIFIED CUSTOMER APPROVAL

CUSTOMER OUTLINE DRAWING
ALL OTHER SHEETS ARE FOR INTERNAL USE ONLY

UNLESS OTHERWISE SPECIFIED, DIMENSIONS ARE IN METRIC AND TOLERANCES ARE: <0.5mm ±0.05mm 0.5 - 6mm ±0.1mm 6 - 30mm ±0.2mm 30 - 120mm ±0.3mm ANGLES ±1°	MATERIAL	DRAWN S.DUAN	DATE 14-Jun-10	TITLE FAKRA STRAIGHT JACK C07 CABLE GROUP (1.5DS-GXC-SP CABLE)	Amphenol RF Danbury CT USA, Tainan, Taiwan, Shenzhen, China www.amphenolrf.com
	REFERENCE EAR # 2013 AND	ENGINEER S.HSIEH	DATE 09-May-06		
NOTICE - These drawings, specifications, or other data (1) are, and remain the property of Amphenol corp. (2) must be returned upon request; and (3) are confidential and not to be disclosed to any person other than those to whom they are given by Amphenol Corp. the finishing of these drawings, specifications, or other data by Amphenol Corp., or to any other person to anyone for any purpose is not to be regarded by implication or otherwise in any manner licensing, granting rights to permitting such holder or any other person to manufacture, use or sell any product, process or design, patented or otherwise, that may in any way be related to or disclosed by said drawings, specifications, or other data.	CONFIGURATION LEVEL:	APPROVED S.HSIEH	DATE 14-Jun-10	SCALE: 2.0:1.0 SHEET 2 OF 2	DRAWING NO. FAI-NXSJ-C07-0
	FINISH	I:\FAKRA\FAI-NXSJ-C07-0	CAD FILE	DWG SIZE B	REV D