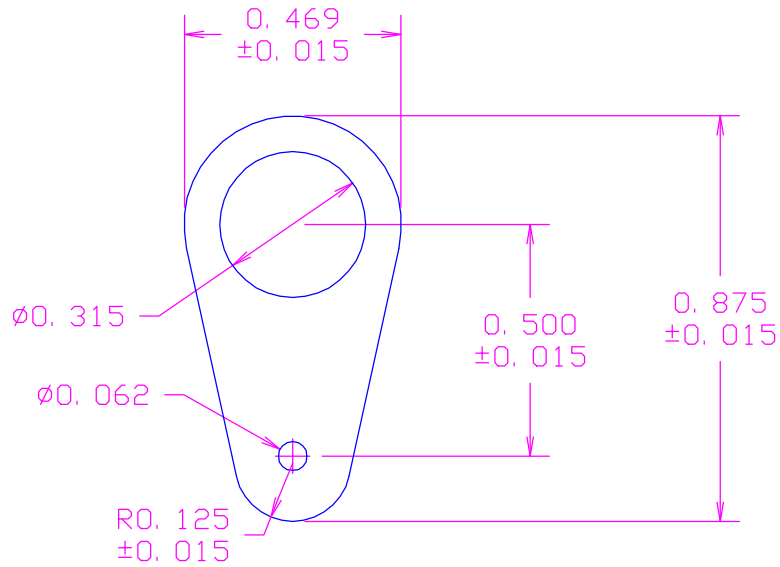
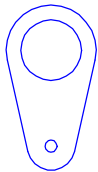


DATE	SYM	REVISION RECORD	AUTH.	DR.	CK.
9/24/96	-	ISSUED		NT	MM



MATERIAL: COPPER 0.020" THICKNESS  
 FINISH: SATIN Sn 100% FINISH  
 0.000150"MIN. Cu

ACTUAL SIZE



TOLERANCES (EXCEPT AS NOTED)	CONCORD ELECTRONICS CORPORATION		
DECIMAL $\pm .005$	P/N	SCALE	30 GREAT JONES ST. NEW YORK N. Y. 10012
FRACTIONAL $\pm 1/64$	TITLE SOLDER TERMINAL		
ANGULAR $\pm$	DATE 9-24-96	DRAWING NUMBER 707-1775	