

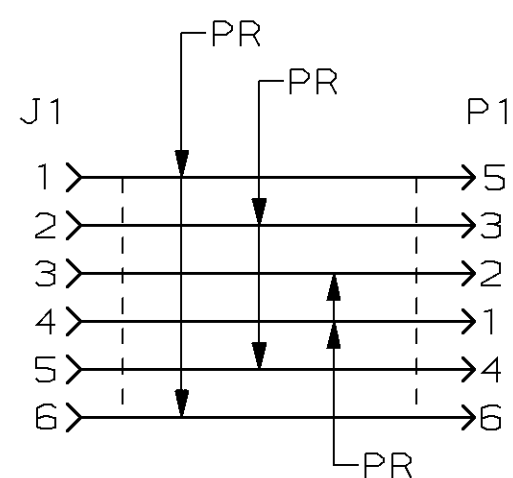
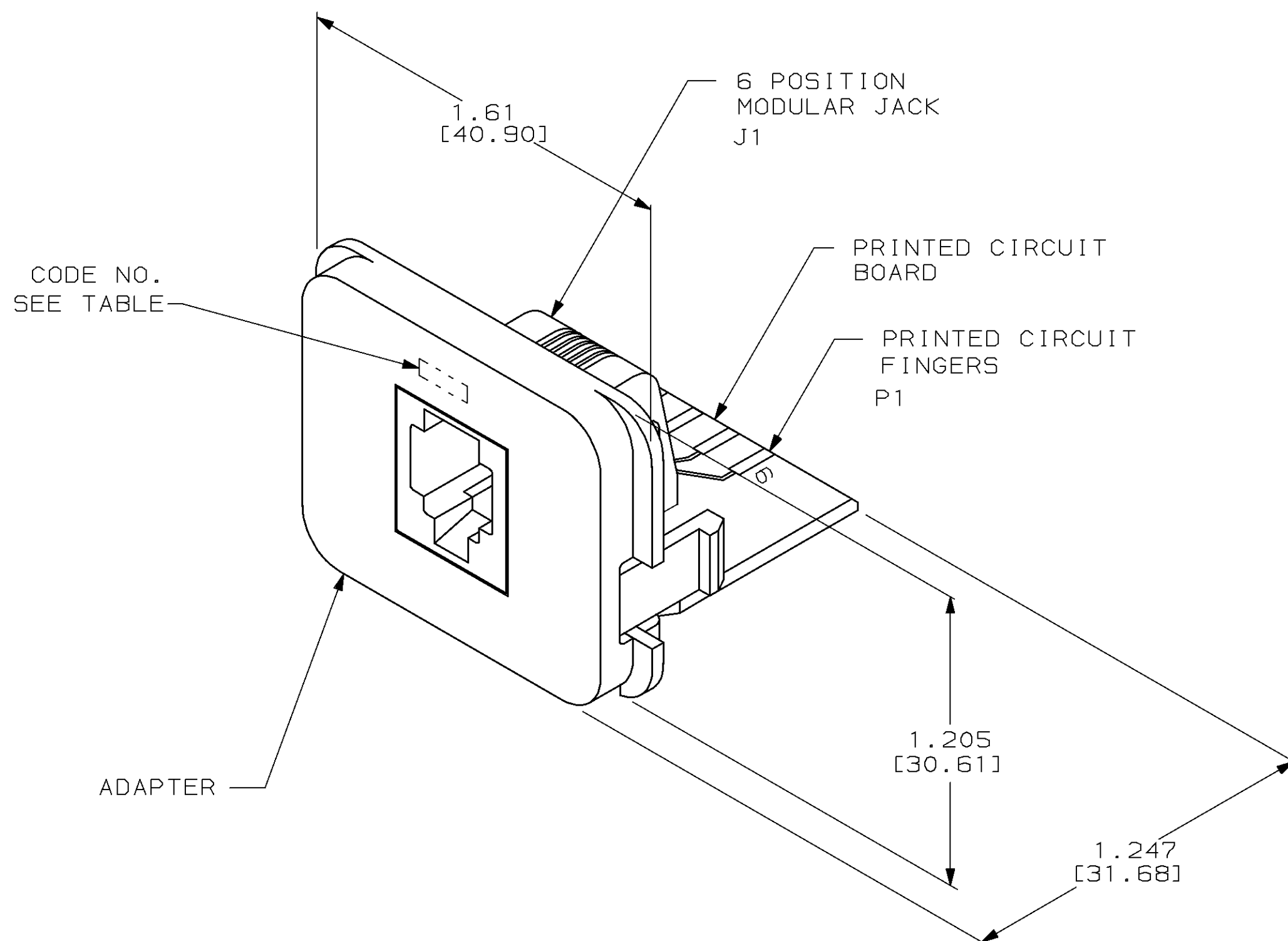
LOC	DIST	P	F	REVISIONS		DATE	APPD
AA	28			ZONE	LTR	DESCRIPTION	
					F	ADD: -6; NPR C97-102	19JUN97
							GG GB

1 DIMENSIONS ARE MAXIMUM.

2 MATERIAL: PRINTED CIRCUIT BOARD - LAMINATED PLASTIC SHEET, .062[1.57] THICK.
 ADAPTER - ABS MOLDING COMPOUND, SEE TABLE
 PRINTED CIRCUIT FINGERS - .000020[0.51µm]
 MINIMUM GOLD PLATE OVER .000050[1.27µm]
 MINIMUM NICKEL PLATE.

3. THIS INSERT IS DESIGNED TO MATE WITH AMP INC. EDGE CONNECTOR KIT AND WALLBOX KITS.

4. DIMENSIONS IN BRACKETS [] IN MILLIMETERS.



ELECTRICAL SCHEMATIC

BLACK	11-6	ELECTRIC IVORY	555611-6
BLACK	11-5	WHITE	555611-5
BLACK	11-4	NEMA GRAY	555611-4
WHITE	11-3	BLACK	555611-3
BLACK	11-1	LIGHT ALMOND	555611-1

MARKINGS COLOR	CODE NO.	ADAPTER COLOR	PART NO.
----------------	----------	---------------	----------

DO NOT SCALE PRINT. UNLESS SPECIFIED DIMENSIONS IN INCHES TOLERANCES ON: 2 PLC DEC ± 3 PLC DEC ± ANGLES ±	DR	R. NELSON	3-25-88	AMP INCORPORATED Harrisburg, Pa. 17105			
	CHK	A.C. CLARK	4-21-88				
MATERIAL	APPD	J.R. SCHLUNZ	4-21-88	NAME			
	APPD	J.B. WILKERSON	4-21-88				
FINISH	PRODUCT SPEC	INSERT ASSEMBLY, MODULAR JACK, 6 POSITION, AMP COMMUNICATION OUTLET					
	APPLICATION SPEC	—	SIZE	C			
WEIGHT	—	SCALE	2:1	FSCM NO	00779	DRAWING NO	555611
				SHEET	1 OF 1		