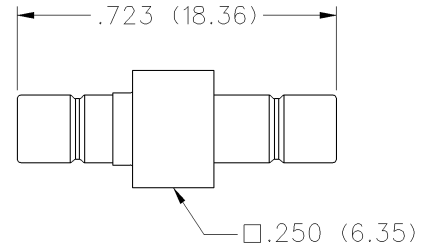


131-3801-811	4
131-3801-816	4
131-3801-821	4
131-3801-826	4
131-3901-401	3
131-3901-406	3
131-3901-411	3
131-3901-416	3
131-3901-801	3
131-3901-806	3
131-3901-901	4
131-3901-906	4
Jack to Bulkhead Jack	3
Jack to Jack	3
Jack to Jack to Jack	4
Plug Dummy Load - 50 Ohm and 75 Ohm	4
Plug to Bulkhead Jack	3
Specifications	2

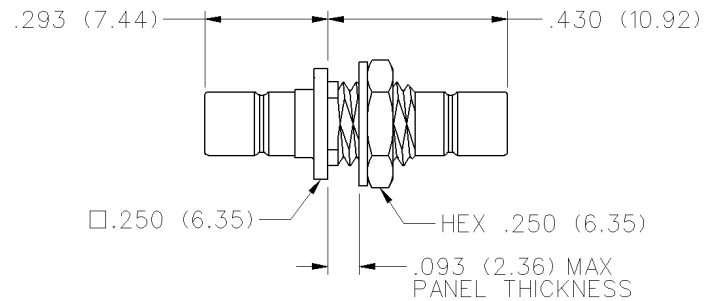
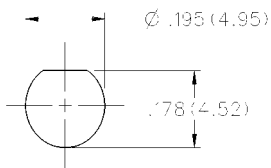


## Jack to Jack



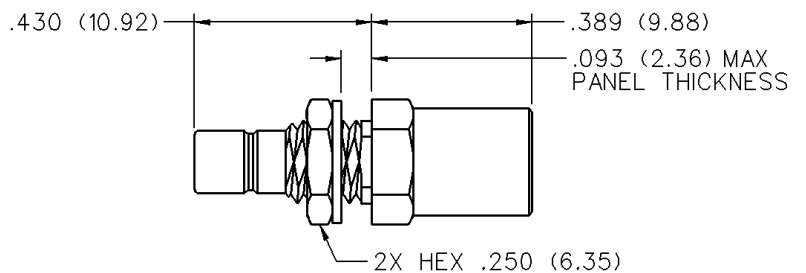
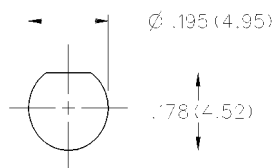
GOLD PLATED	NICKEL PLATED
131-3901-801	131-3901-806

## Jack to Bulkhead Jack



GOLD PLATED	NICKEL PLATED
131-3901-401	131-3901-406

## Plug to Bulkhead Jack

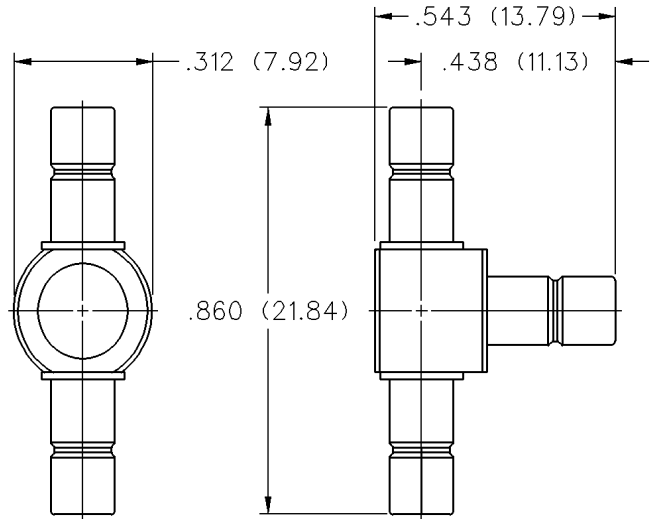


GOLD PLATED	NICKEL PLATED
131-3901-411	131-3901-416

# SMB - 50 Ohm Connectors

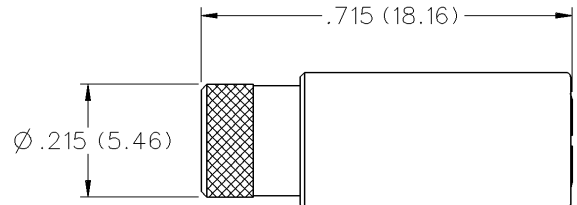
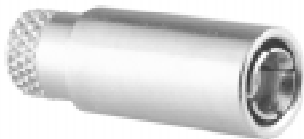
In-Series Adapters and Terminations

## Jack to Jack to Jack



GOLD PLATED	NICKEL PLATED
131-3901-901	131-3901-906

## Plug Dummy Load - 50 Ohm and 75 Ohm



FREQ. RANGE	GOLD PLATED	NICKEL	RESISTANCE
0-1 GHz	131-3801-811	131-3801-816	50 ohm
0-1 GHz	131-3801-821	131-3801-826	75 ohm