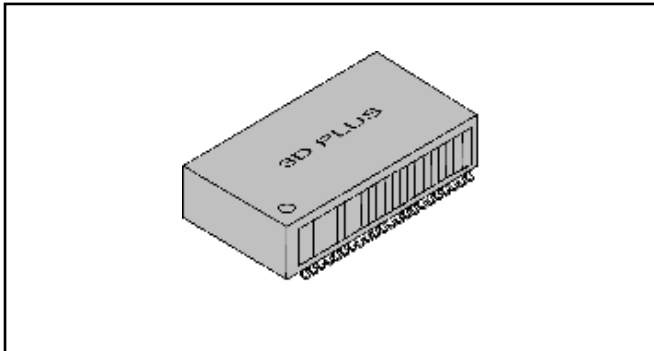


Low-voltage differential signaling Driver and Receiver
MODULE

3DLV3304VS1374

3V Quad Driver and Receiver, based on Quad



Features

- >400 Mbps (200 MHz) switching rates
- ± 450 mV differential signalling
- 3.3 V power supply
- Ultra low power dissipation
- 0.6 ns maximum differential skew (Driver)
- 4.5 ns maximum propagation delay (Driver)
- 0.2 ns differential skew -typical (Receiver)
- 6 ns maximum propagation delay (Receiver)
- Compatible with IEEE 1596.3 SCI LVDS standard
- Conforms to ANSI/TIA/EIA-644 LVDS standard
- Integrated 110- Ω Line Termination Resistors
- Cold sparing all I/O pins
- Variable Temperature range
- 0°C to 70°C
- -40°C to +85°C
- -55°C to +125°C
- Available screening option for high reliability application

General description

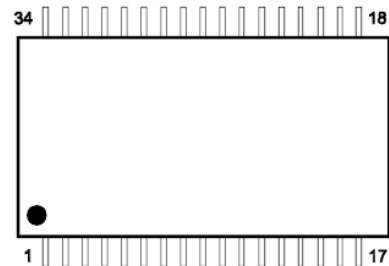
The 3DLV3304VS1374 is Quad CMOS differential line driver and Quad CMOS differential line receiver, designed for applications requiring ultra low power dissipation and high data rates. The device is designed to support data rates in excess of 400 Mbps (200 MHz) utilizing Low Voltage Differential Signaling (LVDS) technology.

The Quad driver accepts LVTTTL/LVCMOS input levels and translates them to low voltage (450 mV) differential output signals, and the Quad receiver accepts low voltage (350 mV typical) differential input signals and translates them to 3V CMOS output levels

The 3DLV3304VS1374 provides a new alternative to high power psuedo-ECL devices for high speed point-to-point interface applications.

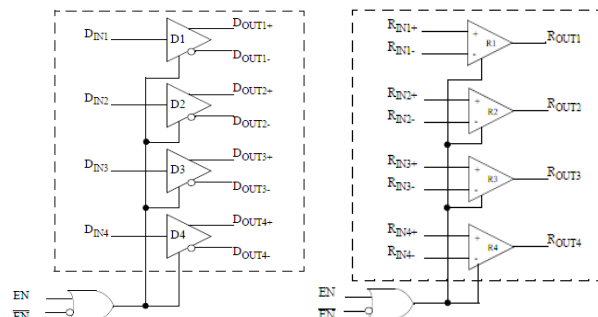
Pin Assignment (Top View)

SOP 34 (Pitch : 0.65 mm)



1	Din1	18	Rin3-
2	Dout1+	19	Rin3+
3	Dout1-	20	Rout3
4	DEN1	21	#REN1
5	Dout2-	22	Rout4
6	Dout2+	23	Rin4+
7	Din2	24	Rin4-
8	GND	25	Vdd
9	GND	26	Vdd
10	Rin1-	27	Din3
11	Rin1+	28	Dout3+
12	Rout1	29	Dout3-
13	REN1	30	#DEN1
14	Rout2	31	Dout4-
15	Rin2+	32	Dout4+
16	Rin2-	33	Din4
17	GND	34	Vdd

FUNCTIONAL Block Diagram

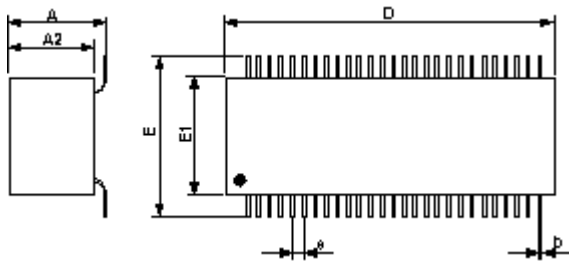


Low-voltage differential signaling Driver and Receiver
MODULE

3DLV3304VS1374

3V Quad Driver and Receiver, based on Quad

Mechanical Drawing



	Min	Max
A	4.95	5.55
A2	3.70	4.30
D	13.90	14.30
E	7.80	8.20
E1	5.40	5.60
b	0.30	
e	0.65	
Dimension (mm)		

Max. weight : 2.50gr.

Test Tools

3DLV3304VS1374 ENPLASOTS-_____ Modified by 3D PLUS

DC OPERATING CONDITIONS

Parameter	Symbol	Min	Max	Unit
Supply Voltage	V_{DD}	3.0	3.6	V
Input High Voltage	V_{IH}	2.0	V_{DD}	V
Input Low Voltage	V_{IL}	GND	0.8	V

ABSOLUTE MAXIMUM RATINGS

Parameter	Symbol	Value	Unit
Supply Voltage	V_{DD}	-0.5 to 4.0	V
Input Voltage (Din)	V_{in}	-0.5 to V_{DD} +0.5	V
Storage temperature	T_{stg}	-65 to 150	°C

Note :

Permanent device damage may occur if "ABSOLUTE MAXIMUM RATINGS" are exceeded.
Functional operation should be restricted to recommended operating condition.
Exposure to higher than recommended voltage for extended periods of time could affect device reliability

DC Characteristics

Parameter	Symbol	Max	Unit
Differential Output Voltage(Driver)	V_{OD1}	450	mV
Offset Voltage(Driver)	V_{OS}	1.375	V
Differential Input High Threshold(Receiver)	V_{TH}	+100	mV
Differential Input Low Threshold(Receiver)	V_{TL}	-100	mV

3DLV3304VS1374

X X

Temperature Range _____

C = 0°C ~ +70°C

I = -40°C ~ +85°C

S = -55°C ~ +125°C

Quality Level _____

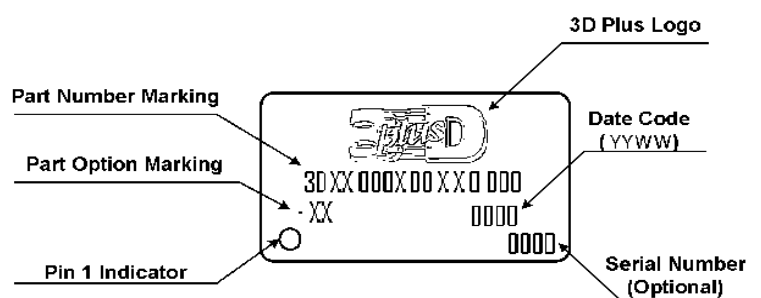
N = Commercial Grade

B = Industrial Grade

S = Space Grade

C = Custom

Module Marking



Main Sales Office

FRANCE	3D PLUS 408, rue Hélène Boucher ZI. 78532 BUC Cedex	Tel : 33 (0)1 30 83 26 50	Fax : 33 (0)1 39 56 25 89	Web : www.3d-plus.com e-mail : sales@3d-plus.com	DISTRIBUTOR
USA	3D PLUS USA, Inc 6633 Eldorado Parkway Suite 420 Mckinney, TX 75070	Tel : (214) 733-8505		e-mail : sales@3d-plus.com	

LVDS Module

PRELIMINARY

3D Plus SA reserves the right to cancel product or specifications without notice
3DFP-0374-REV 3- DEC.2013