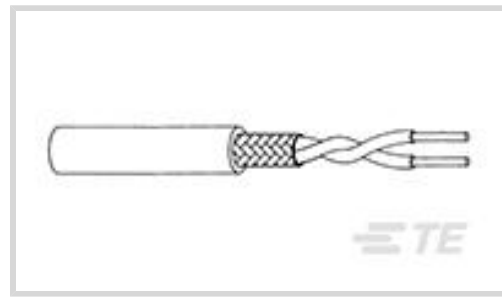




Wire &amp; Cable &gt; High Speed Digital &amp; Data Cable

High Speed Digital & Data Cable Type: **Cheminax**Impedance: **78 Ω**Wire Size: **24 AWG**Operating Temperature Range: **-65 – 200 °C [-85 – 392 °F]**

## Features

### Product Type Features

Product Classification	Cable - Coaxial
Cable Style	Twisted Pair
Product Type	Cable
High Speed Digital & Data Cable Type	Cheminax

### Electrical Characteristics

	20 pF/ft
Impedance	78 Ω

### Signal Characteristics

Velocity of Propagation	74%
-------------------------	-----

### Body Features

Shield Material	Silver-Coated Copper
Shield Style	Single
Jacket Color	Transparent White
Conductor Material	Silver-Plated Copper

### Dimensions

Wire Diameter	.64 mm[.025 in]
Cable Dielectric Diameter	1.19 mm[.047 in]
Overall Outside Diameter	3.43 mm[.135 in]
Wire Size	24 AWG



### Usage Conditions

Operating Temperature Range	-65 – 200 °C[-85 – 392 °F]
-----------------------------	----------------------------

### Other

Dielectric Material	Rayfoam H
---------------------	-----------

### Product Compliance

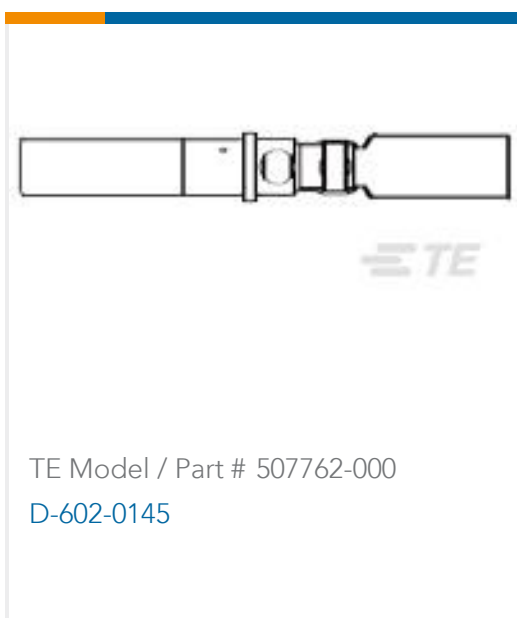
[For compliance documentation, visit the product page on TE.com>](#)

EU RoHS Directive 2011/65/EU	Compliant
EU ELV Directive 2000/53/EC	Compliant
China RoHS 2 Directive MIIT Order No 32, 2016	No Restricted Materials Above Threshold
EU REACH Regulation (EC) No. 1907/2006	Current ECHA Candidate List: JUN 2020 (209) Candidate List Declared Against: JAN 2019 (197) Does not contain REACH SVHC
Halogen Content	Out of Scope - excluded from Halogen requirements
Solder Process Capability	Not applicable for solder process capability

#### Product Compliance Disclaimer

This information is provided based on reasonable inquiry of our suppliers and represents our current actual knowledge based on the information they provided. This information is subject to change. The part numbers that TE has identified as EU RoHS compliant have a maximum concentration of 0.1% by weight in homogenous materials for lead, hexavalent chromium, mercury, PBB, PBDE, DBP, BBP, DEHP, DIBP, and 0.01% for cadmium, or qualify for an exemption to these limits as defined in the Annexes of Directive 2011/65/EU (RoHS2). Finished electrical and electronic equipment products will be CE marked as required by Directive 2011/65/EU. Components may not be CE marked. Additionally, the part numbers that TE has identified as EU ELV compliant have a maximum concentration of 0.1% by weight in homogenous materials for lead, hexavalent chromium, and mercury, and 0.01% for cadmium, or qualify for an exemption to these limits as defined in the Annexes of Directive 2000/53/EC (ELV). Regarding the REACH Regulation, the information TE provides on SVHC in articles for this part number is based on the latest European Chemicals Agency (ECHA) 'Guidance on requirements for substances in articles' posted at this URL: <https://echa.europa.eu/guidance-documents/guidance-on-reach>

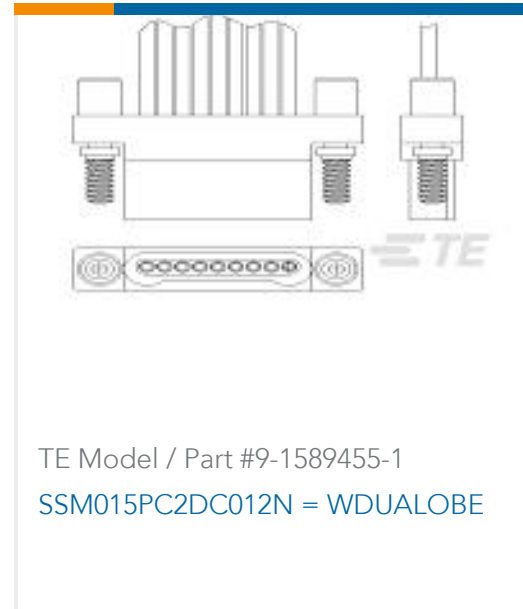
### Compatible Parts



## Customers Also Bought



TE Model / Part #749122-1  
LATCH, 50SR TERM ASSY, L/P



TE Model / Part #9-1589455-1  
SSM015PC2DC012N = WDUALOBE



TE Model / Part #318606-000  
TTVF COLOR CODING FLAGGING  
PVF LABELS



TE Model / Part #865042-004  
10614-24-9



TE Model / Part #245967-000  
7528A5424-9X



TE Model / Part #A11769-000  
D-150-0321



TE Model / Part #624512-000  
D-146-0207



TE Model / Part #469411-000  
0024A0024-9X



TE Model / Part #DTS20W25-43SA  
RECP ASSY

## Documents

### Product Drawings

[7824E0422-9X](#)

English

### Datasheets & Catalog Pages

[1654025\\_Sec9\\_CheminaxCables](#)

English

### Wire and Cable Overview

English

### Product Specifications

[Product Specification](#)

English