

1-18 GHz

BROADBAND HIGH DIRECTIVITY COUPLERS

- Broadband Frequency Coverage from 1 to 18 GHz in a Single Unit
- High Directivity
- Increased Dynamic Range
- Flat Frequency Response

SPECIFICATIONS

FREQUENCY RANGE (GHz)	MODEL	NOMINAL COUPLING dB	DIRECTIVITY dB (Min)		VSWR		FREQUENCY* SENSITIVITY dB (Max)		CONNECTORS		WEIGHT	
			1-5	5-12.4	PRIMARY LINE (Max)	SECONDARY LINE (Max)	1-1.9	1.9-12.4	PRIMARY LINE INPUT	SECONDARY LINE OUTPUT	Oz	Gr (Max)
1-12.4	3293-1	10(±1*)	30	26	1.25	1.30	4	±1.0	Type N Male	Type N Female	12	340
	3293-2	10(±1*)	30	26	1.25	1.30	4	±1.0	Type N Female	Type N Male	12	340
	5293	10(±1*)	30	26	1.25	1.30	4	±1.0	7 mm Male	7 mm Female	12	340

FREQUENCY RANGE (GHz)	MODEL	NOMINAL COUPLING dB	DIRECTIVITY dB (Min)		VSWR		FREQUENCY* SENSITIVITY dB (Max)		CONNECTORS		OPTIONS AVAILABLE	WEIGHT	
			1-8	8-18	PRIMARY LINE (Max)	SECONDARY LINE (Max)	1-1.5	1.5-18	PRIMARY LINE INPUT	SECONDARY LINE OUTPUT		Oz	Gr (Max)
1-18	3292-1	13(±1**)	27	25	1.35	1.40	4	±1.5	Type N Male	Type N Female	-02	12	340
	3292-2	13(±1**)	27	25	1.35	1.40	4	±1.5	Type N Female	Type N Male	-02	12	340
	5292	13(±1**)	28	26	1.30	1.30	4	±1.5	Precision 7 mm	Precision 7 mm	-01 -02	12	340

*Refer to coupling curve

OPTIONS:

-01 Precision Stainless Steel Type N Female Connector on the secondary line.

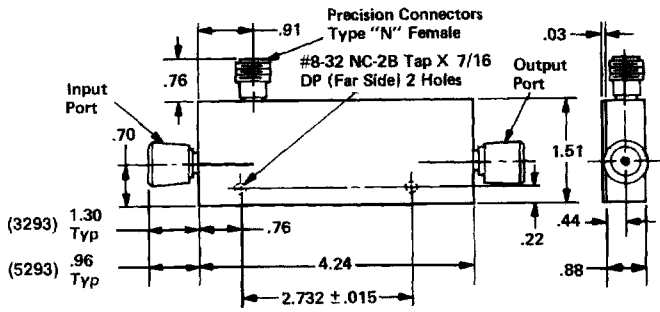
-02 Precision Stainless Steel SMA Female Connector on the secondary line.

*Coupling from 2 GHz to 18 GHz decrease from 10 dB to 13 dB

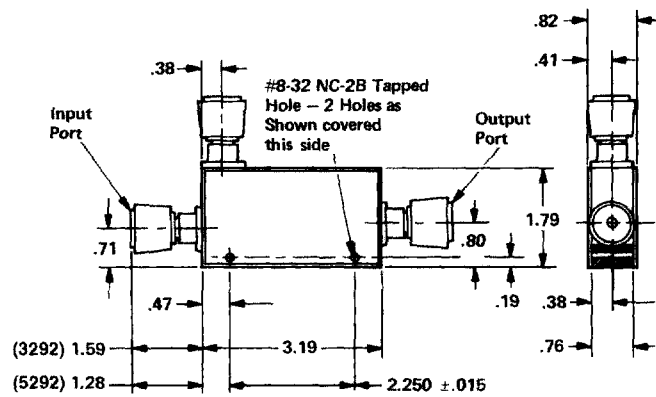
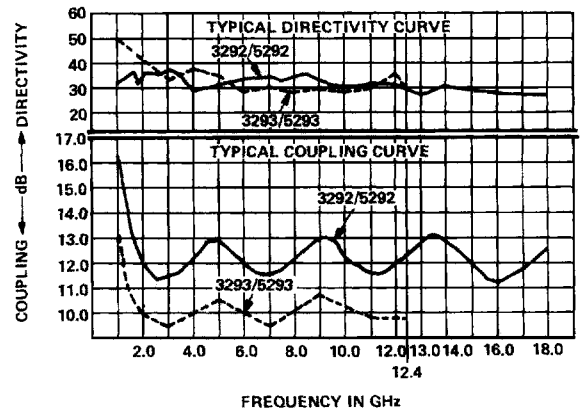
**Coupling from 2 GHz to 18 GHz

POWER RATING: 5 W average, 100 W peak

OUTLINE DRAWINGS



MODEL 3293, 5293



MODELS 3292, 5292

All dimensions are Max. unless otherwise specified.