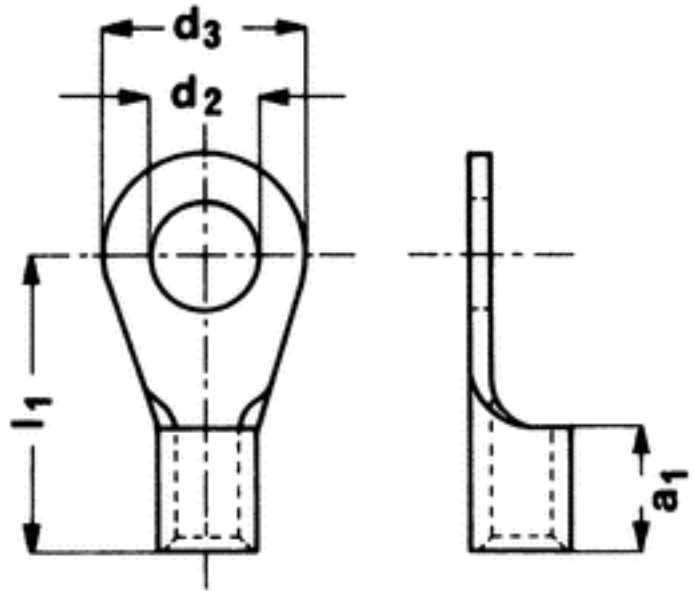




Characteristics and dimensions of terminals

Part number	03430.311.011
Specification	Cable lug ring type
Material	SE-Cu
Surface / Colour	Sn 3
Form	Single form
Single part	X
Packing unit / piece	150
Section area (mm ²)	16.00-25.00
DIN	46234
Nominal size	16-25
Material thickness (mm)	1.50
Footnote	Type test according to VG 96933-13
a ₁	11.00
d ₂	17.00
d ₃	28.00
l ₁	35.00



Note: The drawing only gives an overview of the geometry of the part. The crimp area is shown as supplied in strip form. A technical drawing is available on request.

[Contents of your inquiry](#)

Packing Units (per 150 pieces)

CW