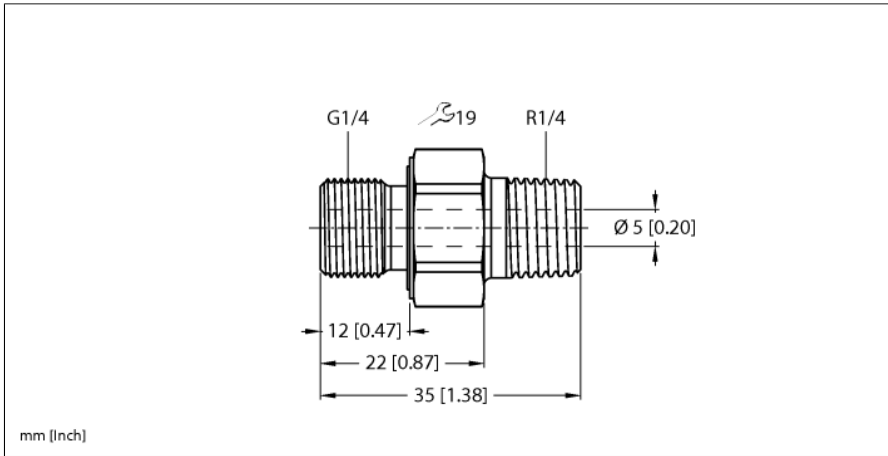


Accessories

Threaded Adapter

PCV-R1/4



- FPM seals according to DIN 3852, quality of materials V80GB

Type	PCV-R1/4
ID	100026309
Housing material	Stainless steel, 1.0718 (AISI 12L14)
Process connection	R 1/4" male thread
Wrench size pressure connection / coupling nut	19