



Raychem

TE Internal #: 219389-000

Twisted Pair Cable, MIL-DTL-27500, 600VAC Voltage Rating,  
16AWG Wire Size, Operating Temperature Range -65 – 200 °C

[View on TE.com >](#)

Wire & Cable > Twisted Pair Cable



Cable Type: MIL-DTL-27500

Voltage Rating: 600 VAC

Insulation Material: Modified Radiation Cross-linked ETFE Polymer

Conductor Material: Silver-Coated Copper

Wire Size: 16 AWG

## Features

### Product Type Features

|            |               |
|------------|---------------|
| Cable Type | MIL-DTL-27500 |
|------------|---------------|

### Electrical Characteristics

|                |         |
|----------------|---------|
| Voltage Rating | 600 VAC |
|----------------|---------|

### Body Features

|                     |  |
|---------------------|--|
| Insulation Material | Modified Radiation Cross-linked ETFE Polymer |
| Conductor Material  | Silver-Coated Copper                         |

### Dimensions

|           |        |
|-----------|--------|
| Wire Size | 16 AWG |
|-----------|--------|

### Usage Conditions

|                             |                            |
|-----------------------------|----------------------------|
| Operating Temperature Range | -65 – 200 °C[-85 – 392 °F] |
|-----------------------------|----------------------------|

## Product Compliance

[For compliance documentation, visit the product page on TE.com>](#)

|   |   |
|---|---|
| EU RoHS Directive 2011/65/EU                  | Compliant                               |
| EU ELV Directive 2000/53/EC                   | Compliant                               |
| China RoHS 2 Directive MIIT Order No 32, 2016 | No Restricted Materials Above Threshold |
| EU REACH Regulation (EC) No. 1907/2006        |   |



Current ECHA Candidate List: JUN 2020  
(209)  
Candidate List Declared Against: JAN 2019  
(197)  
Does not contain REACH SVHC

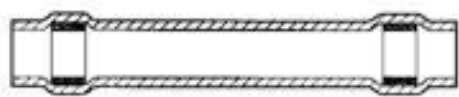
Halogen Content  
Out of Scope - excluded from Halogen requirements

Solder Process Capability  
Not applicable for solder process capability

Product Compliance Disclaimer

This information is provided based on reasonable inquiry of our suppliers and represents our current actual knowledge based on the information they provided. This information is subject to change. The part numbers that TE has identified as EU RoHS compliant have a maximum concentration of 0.1% by weight in homogenous materials for lead, hexavalent chromium, mercury, PBB, PBDE, DBP, BBP, DEHP, DIBP, and 0.01% for cadmium, or qualify for an exemption to these limits as defined in the Annexes of Directive 2011/65/EU (RoHS2). Finished electrical and electronic equipment products will be CE marked as required by Directive 2011/65/EU. Components may not be CE marked. Additionally, the part numbers that TE has identified as EU ELV compliant have a maximum concentration of 0.1% by weight in homogenous materials for lead, hexavalent chromium, and mercury, and 0.01% for cadmium, or qualify for an exemption to these limits as defined in the Annexes of Directive 2000/53/EC (ELV). Regarding the REACH Regulation, the information TE provides on SVHC in articles for this part number is based on the latest European Chemicals Agency (ECHA) 'Guidance on requirements for substances in articles' posted at this URL: <https://echa.europa.eu/guidance-documents/guidance-on-reach>

## Compatible Parts



TE Model / Part # C60253-000  
D-200-84

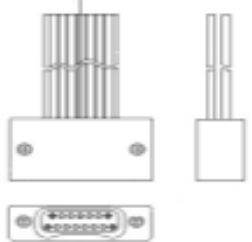
## Customers Also Bought



TE Model / Part #228311-000  
HEX40-AC-00-21-A9-1-DS



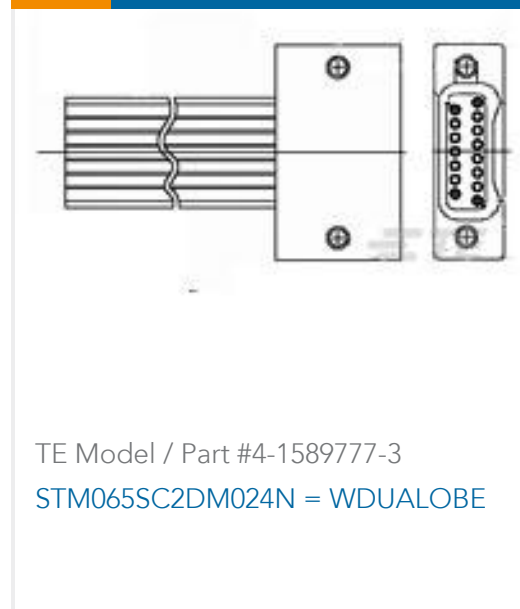
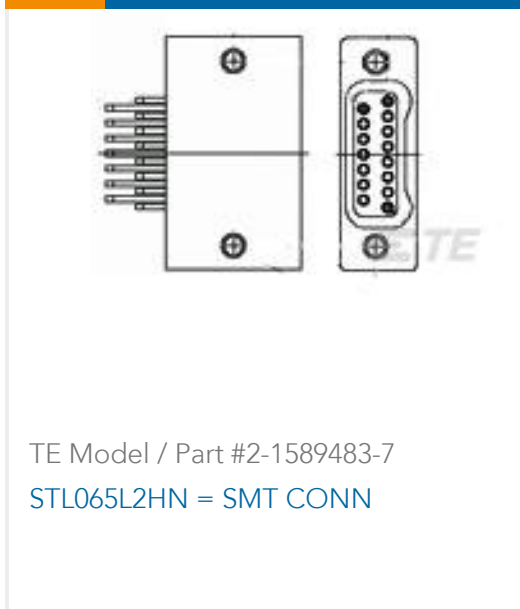
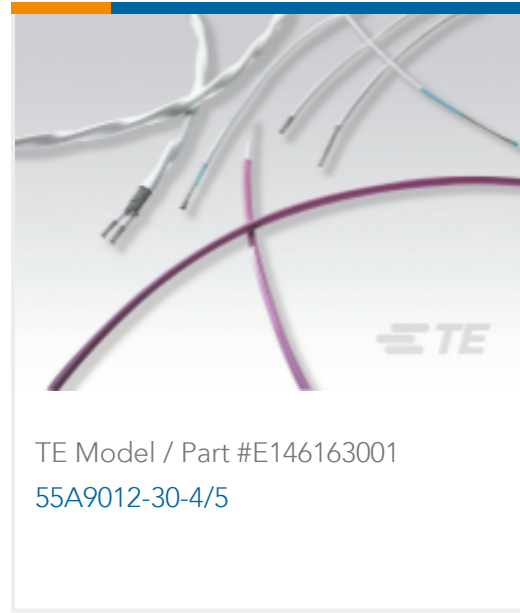
TE Model / Part #A01393-000  
55PC0111-28-9



TE Model / Part #9-1589476-1  
STM015SC2DX010N = WDUALOBE



TE Model / Part #BTH1-15-08-1-ZN  
BTH1-15-08-1-ZN



## Documents

### Product Drawings

[55A0832-16-9/93/96CS2275](#)

English

### Datasheets & Catalog Pages

[1654025\\_Sec9\\_SPEC55](#)

English

[Raychem Wire and Cable Quick Reference Guide](#)

English

### Product Specifications

[Product Specification](#)

English