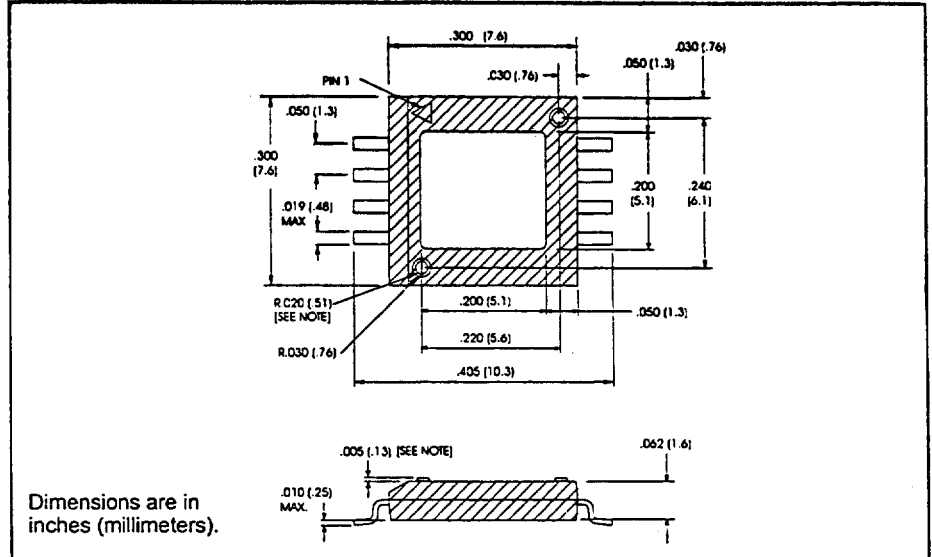
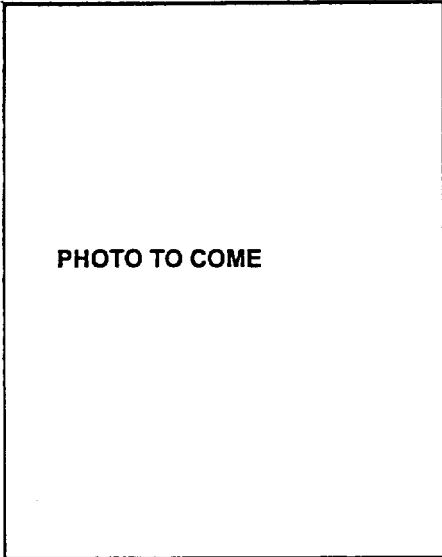


# Surface Mount Silicon PIN Photodiode Type OSM905, OSM905P



### Features

- Surface mountable
- Large active area
- High temperature operation

### Description

This large area photodiode is well suited for open air communication applications and ambient light detection. Peak responsivity at the wavelength of 880 nm results in maximum coupling efficiency with Optek GaAlAs LEDs.

Similar to:  
OPR5915

### Absolute Maximum Ratings ( $T_A = 25^\circ\text{C}$ unless otherwise noted)

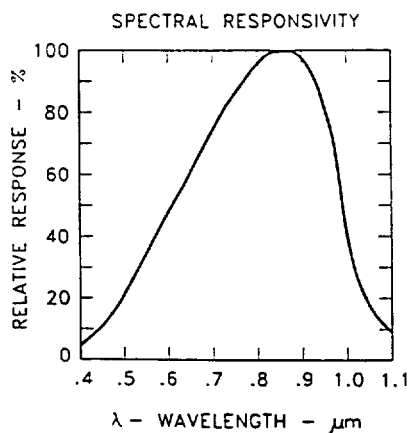
Storage and Operating Temperature .....  $-55^\circ\text{C}$  to  $+110^\circ\text{C}$   
 Reverse Breakdown Voltage ..... 35 V Min.  
 Solder Temperature (Vapor Phase Reflow for 30 sec.) .....  $235^\circ\text{C}$

### NOTE:

Alignment pins shown are for "P" suffix part number only.

### PIN OUT

PIN #	PIN #
1. COMMON CATHODE	5. COMMON CATHODE
2. N/C	6. N/C
3. ANODE	7. N/C
4. COMMON CATHODE	8. COMMON CATHODE



# Type OSM905, OSM905P

Electrical Characteristics ( $T_A = 25^\circ\text{C}$  unless otherwise noted)

SYMBOL	PARAMETER	MIN	TYP	MAX	UNITS	TEST CONDITIONS
$R_\lambda$	Responsivity	.45			AW	$\Phi_e = 10\ \mu\text{W}$ , $\lambda = 890\ \text{nm}$ , $V = 0\ \text{V}$
$V_{(BR)R}$	Reverse Breakdown Voltage	35			V	$I_R = 100\ \mu\text{A}$
$I_D$	Reverse Dark Current			30	nA	$V_R = 10\ \text{V}$
$C_T$	Capacitance		125		pf	$V_R = 0\ \text{V}$
L x W	Active Area		7.3		mm <sup>2</sup>	(2.7 mm x 2.7 mm)