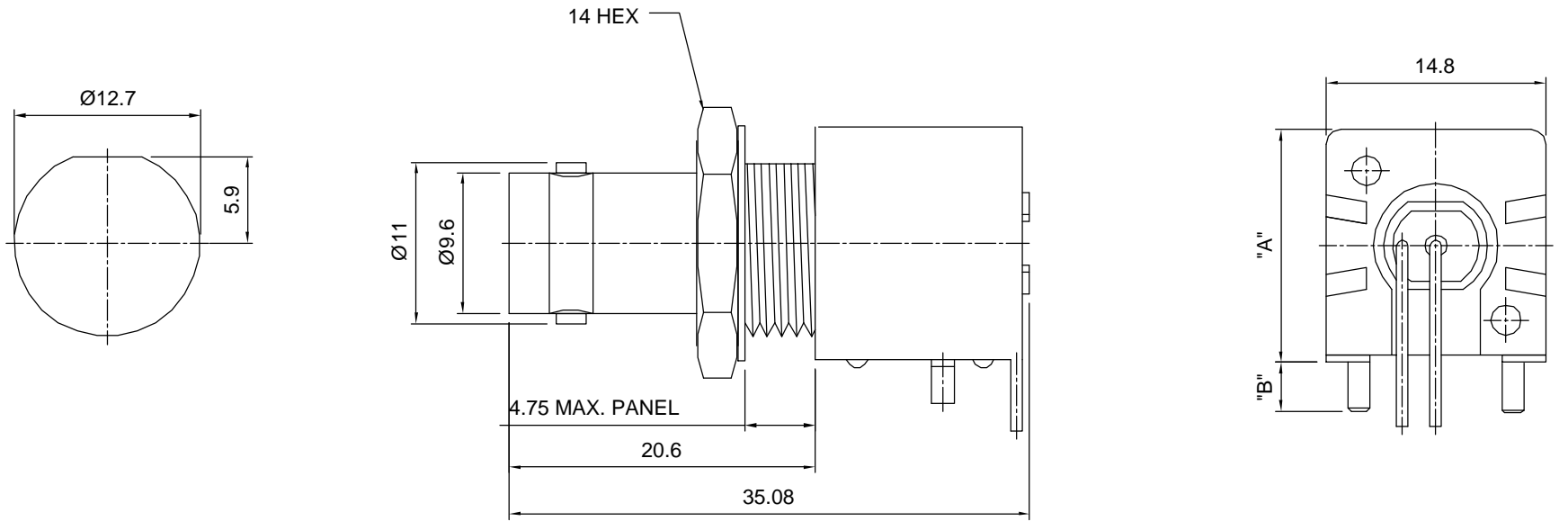



Tolerances 1-20=+/-0.2 20-30=+/-0.3 30-40=+/-0.4 40-50=+/-0.5 50-100=+/-0.75 100-300=+/-1.5 Angles=+/-1 Dimensions are in Millimeters	Revisions	Approved	Date
	Description/Approved/Date	M.H.	12/30/02
		Checked	Date
		M.H.	12/30/02
		Drawn	Date
		K.R.E.	12/30/02
NOTES (plating thickness in micro-inches): 1. Per QQ-B-626 2. Per QQ-S-764 3. Per QQ-C-530 4. Per QQ-B-750 5. Per MIL-P-19468 6. Per ZZ-R-765 7. Per WW-T-799 8. Gold pl. 5 min. over nickel pl. 50 min. over copper strike 9. Nickel pl. 100 min. over copper strike 10. Per QQ-P-35 11. Gold pl. 3 min. over nickel pl. 50 min. over copper strike			



BLF54HNPx Connector :
 A = 15.88 mm B = 3.4 mm
 BLF54MNPx Connector :
 A = 13.1 mm B = 2.7 mm

ITEM	MATERIAL	FINISH
Connector Body	PBT - Body, Zinc Alloy - Barrell	Body - None, Barrell - Nickel, Note 9
Center Contact: Female	Phosphor Bronze, Note 4	Gold, Note 11
Insulation	Teflon, Note 5	None
Ferrule	-	-
Gasket	-	-
Hex Nut	Brass, Note 1	Same as body
Lock Washer	Brass, Note 1	Brass, Note 1



Lighthouse Technologies, Inc.
 4907 Morena Boulevard, #1411
 San Diego, California 92117

Part Number:
LTI-BLF54xNPx

Description		
BNC Right Angle PCB Commercial Type, PBT Body		
Diecast Barrel		
Scale	Drawing No.	File Name
1:1	BLF54xNPx	BLF54xNPx