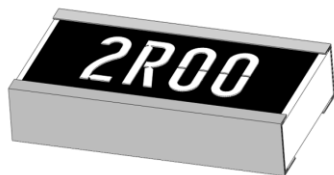


Wide Terminal Thick Film Chip Resistor – BCTW Series



Features

- RoHS, Halogen Free and REACH Compliance
- Pb contained in glass material element are exempted by RoHS directive

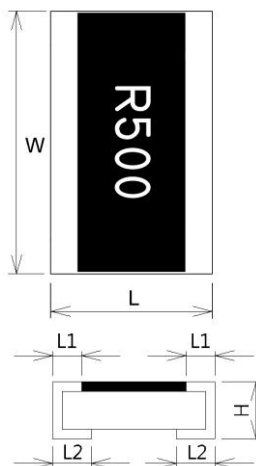
Applications

- The product is belong to the universal series

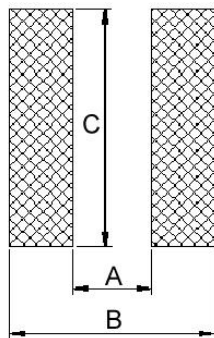
Product Identification

| B | CTW | 00 | 0612 | - | 1002 | F | TP |
|-------|----------------|--------------|-----------------|--------------|--------------------|-----------|--------------------------|
| Grade | Product Series | Control Code | Dimensions Code | Special Code | Nominal Resistance | Tolerance | Taping Code |
| | Wide Terminal | | 0508 | | 10R2=10.2Ω | D=±0.5% | TP (5000Pcs) : 0508~0612 |
| | Thick film | | 0612 | | 1002=10KΩ | F=±1% | TE (4000Pcs) : 1218~1225 |
| | Chip Resistors | | 1218 | | | J=±5% | |
| | | | 1020 | | | | |
| | | | 1225 | | | | |

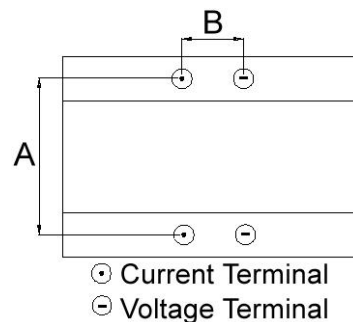
Configuration and Dimensions



Recommended Pattern



Measurement Point



Dimensions in mm

| Type | Configuration and Dimensions | | | | | Recommended Pattern | | | Measurement Point | |
|------------|------------------------------|-----------|-----------|-----------|-----------|---------------------|-----|------|-------------------|-----------|
| | L | W | H | L1 | L2 | A | B | C | A | B |
| BCTW000508 | 1.20±0.10 | 2.00±0.10 | 0.50±0.10 | 0.20±0.10 | 0.20±0.15 | 0.4 | 2.2 | 2.1 | 1.00±0.05 | 0.78±0.05 |
| BCTW000612 | 1.60±0.20 | 3.20±0.20 | 0.55±0.10 | 0.35±0.15 | 0.25±0.15 | 1.0 | 2.2 | 3.2 | 1.49±0.05 | 1.30±0.05 |
| BCTW001218 | 3.10±0.10 | 4.60±0.20 | 0.55±0.10 | 0.45±0.25 | 0.40±0.20 | 1.6 | 3.9 | 4.75 | 2.85±0.05 | 1.65±0.05 |
| BCTW001020 | 2.50±0.20 | 5.00±0.20 | 0.55±0.10 | 0.25±0.20 | 0.90±0.20 | 0.9 | 3.4 | 5.0 | 2.30±0.05 | 2.40±0.05 |
| BCTW001225 | 3.20±0.20 | 6.40±0.20 | 0.55±0.10 | 0.45±0.20 | 0.75±0.20 | 1.5 | 4.1 | 6.4 | 3.00±0.05 | 3.00±0.05 |

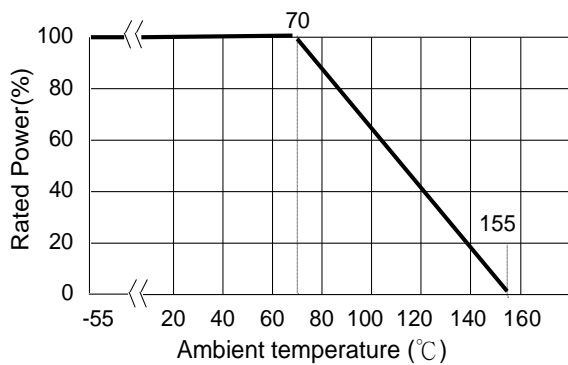
Wide Terminal Thick Film Chip Resistor – BCTW Series

Electrical Characteristics Resistance Range:

| Type | Rated Power at 70°C (W) | Working Voltage (V) Max. | Overload Voltage (V) Max. | T.C.R (ppm/°C) | Resistance Range (Ω) | JUMPER Rated Current (A) | | JUMPER Resistance Value (mΩ) Max | |
|-----------------------------|-------------------------|--------------------------|---------------------------|----------------|--------------------------------|--------------------------|-----|----------------------------------|-----|
| | | | | | ±0.5%, ±1%, ±5% E-24 · E-96 | ±5% | ±1% | ±5% | ±1% |
| BCTW000508 | 1/3 | 150 | 200 | ±200 | 1 ≤ R < 10 | 2 | 4 | 50 | 20 |
| | | | | ±100 | 10 ≤ R ≤ 1M | | | | |
| BCTW000612 | 1/2 | 200 | 400 | ±200 | 1 ≤ R < 10 | 2 | 4 | 50 | 20 |
| | | | | ±100 | 10 ≤ R ≤ 1M | | | | |
| BCTW001218 | 1 | 250 | 500 | ±200 | 1 ≤ R < 10 | 2 | 7 | 50 | 20 |
| | | | | ±100 | 10 ≤ R ≤ 1M | | | | |
| BCTW001020 | 1 | 200 | 400 | ±200 | 1 ≤ R < 10 | 2 | 7 | 50 | 20 |
| | | | | ±100 | 10 ≤ R ≤ 1M | | | | |
| BCTW001225 | 2 | 200 | 400 | ±200 | 1 ≤ R < 10 | 2 | 8.5 | 50 | 20 |
| | | | | ±100 | 10 ≤ R ≤ 1M | | | | |
| Operating Temperature Range | | | | -55°C ~ +155°C | | | | | |

Note: When ordering, please specify tolerance code. Tolerance: D=±0.5%, F=±1%, J=±5%

- Power Derating Curve: Operating Temperature Range: -55°C ~ +155°C,
For resistors operated in ambient temperatures above 70°C, power rating shall be derated in accordance with figure below.



- Rating Current: The resistor shall have a DC continuous working current or a rms. AC continuous working current at commercial-line frequency and wave form corresponding to the power rating, as determined from the following:

Remark: E: Rated voltage.(V) , P: Rating Power.(W), R: Nominal Resistance.(Ω)

$$E = \sqrt{R \times P}$$