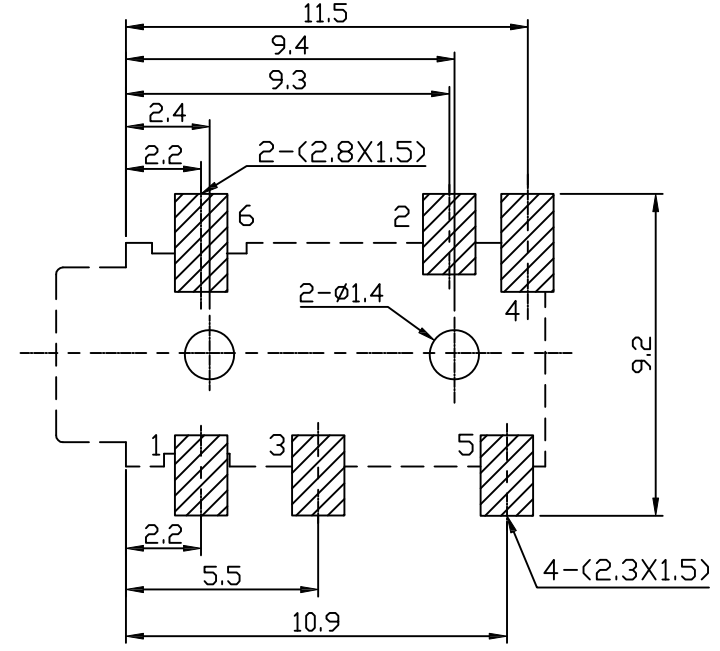
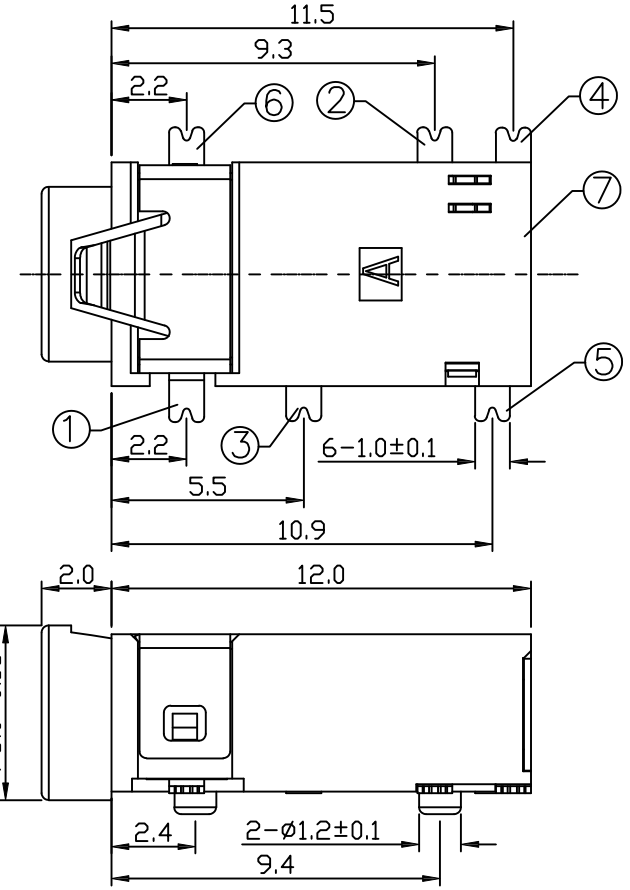


UNLESS OTHERWISE SPECIFIED, TOLERANCE ON DECIMAL: ± 0.2



T:1.6 Dimensions of PC board holes
Tolerance : ± 0.05 (Printed-top view)

7	HOUSING	1	PA9T		UL-94V0(BLACK)
6	CONTACT FOOT	1	C2680	t=0.20	Ag PLATED
5	CURVE PIECE	1	C5191	t=0.20	Ag PLATED
4	CURVE PIECE	1	C5191	t=0.20	Ag PLATED
3	SPRING FOOT	1	C5191	t=0.20	Ag PLATED
2	SPRING FOOT	1	C5191	t=0.20	Ag PLATED
1	CONTACT FOOT	1	C5191	t=0.20	Ag PLATED
LTR	PART NAME	QTY	MATERIAL		REMARK

QUALITY SYMBOLS
MAJOR
CRITICAL
GENERAL TOLERANCES (UNLESS SPECIFIED)
.X ± 0.5
.X ± 0.35
.XX ± 0.25
.XXX ± 0.1
ANGLES $\pm 2^\circ$

DRAWN BY JOHN DATE 20/03/06
CHECKED BY JOHN DATE 20/03/06
APPROVED BY DATE
UNITS mm
SCALE 1:1
SHEET NO. 1 OF 1

CompuPack
TITLE AUDIO_JACK $\phi 3.60\text{mm}$ 6P R/A SMT REC H5.0mm BLACK G/F
RFG NO. Q2003018
REV A0 DWG NO. C-ACNJA220011-001

-					
A0	NEW RELEASED	---	JOHN	JOHN	2020/3/6
REV.		ECR NO.	NAME	CHECK	DATE

REVISIONS