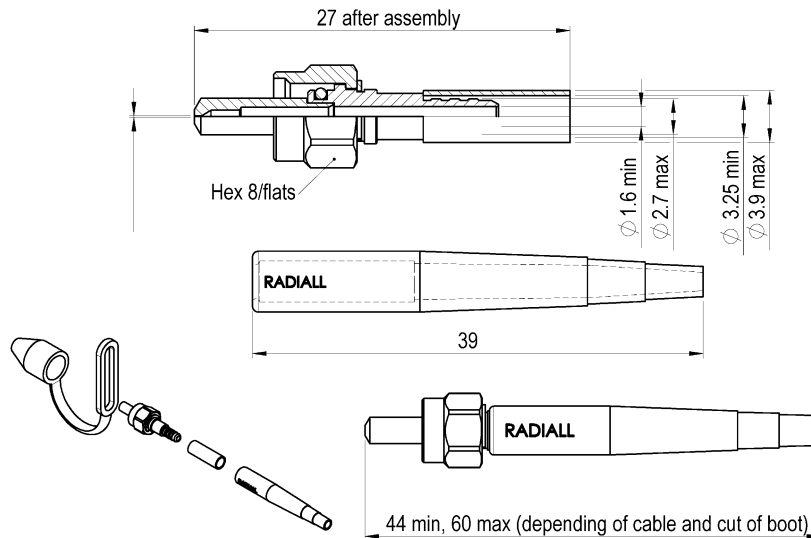


PAGE 1/1	ISSUE 06/13/13	SERIES F-SMA	PART NUMBER F707032000
----------	----------------	--------------	------------------------

F-SMA CRIMPING STRAIGHT CONNECTOR FOR MULTIMODE 140µm SILICA FIBER



Dimensions: mm [inches]

GENERAL

Type: IEC 874-2 type FSMA5, connector
Metalic ferrule
Screw thread coupling device

Fiber: 100/140 µm multimode fiber
buffer : Ø1.1mm MAX.
secondary buffer: Ø 1.57mm MAX.

Cable size & type: Ø1.2mm to Ø1.6mm tube
Tight structure cable with aramid members from Ø1.6mm to Ø2.6mm

Installation: See assembly procedures 503 08 530 and :
F 707 PC 04 : tube 1.2 to 1.6mm
F 707 PC 03 : Cable 1.6mm
F 707 PC 02 : Cable 2.6mm

CHARACTERISTICS (Dependent on cable or fiber construction)

Optical: Typical insertion loss ($\lambda=850\text{nm}$): 1,5dB

Mechanical:

- Mating life : Up to 250 matings
- Fiber retention : 5N
- Cable retention : 100N
- Coupling torque : 40 to 45 N.cm
- Coupling retention : 270N
- Vibration : 10 – 2000 Hz, 20g

Environmental: Climatic category : 55/85/10 (IEC 874-1)