

55FB1514-24-7L-0 ✓ ACTIVE

Raychem

TE Internal #: 111273-000

Multicore Cable, Spec 55F, 600V Voltage Rating, Operating Temperature Range -65 – 150 °C, 24AWG Wire Size, .2047mm<sup>2</sup>

Wire Size, 1 Conductor

[View on TE.com >](#)



Wire & Cable > Multicore Cable



Cable Type: **Spec 55F**

Overall Outside Diameter: **1.96 mm [ .077 in ]**

Voltage Rating: **600 V**

Shielded: **Yes**

Shield Material: **Tin-Plated Copper**

## Features

### Product Type Features

Product Classification	Cable - High Performance - Spec 44, 55 & RCW
Product Type	Cable
Cable Type	Spec 55F
Shielded	Yes
Cable Style	Primary

### Configuration Features

Number of Conductors	1
----------------------	---

### Electrical Characteristics

Voltage Rating	600 V
----------------	-------

### Body Features

Cable Shield Size	38 AWG
Shield Material	Tin-Plated Copper
Wire Color	Violet
Conductor Material	Silver-Coated Copper, Tin-Plated Copper

### Dimensions

Overall Outside Diameter	1.96 mm[.077 in]
--------------------------	------------------



Wire Size .2047 mm<sup>2</sup>

**Usage Conditions**

Operating Temperature Range -65 – 150 °C

**Other**

Comment Internal wire size 24 AWG meets or exceeds all requirements of SAE AS85485 /10, less identification., Product meets or exceeds all requirements of SAE AS85485 /12 for 24 AWG, less identification.

Wire Source United States

**Product Compliance**

[For compliance documentation, visit the product page on TE.com>](#)

EU RoHS Directive 2011/65/EU Not Compliant

EU ELV Directive 2000/53/EC Not Compliant

China RoHS 2 Directive MIIT Order No 32, 2016 Restricted Materials Above Threshold

EU REACH Regulation (EC) No. 1907/2006  
 Current ECHA Candidate List: JUN 2020 (209)  
 Candidate List Declared Against: JAN 2019 (197)  
 SVHC > Threshold:  
 Cd (.6% in Conductor)  
**Article Safe Usage Statements:**  
 Use personal protective equipment as required. Do not eat, drink or smoke when using this product. Recycle if possible and dispose of the article by following all applicable governmental regulations relevant to your geographic location.

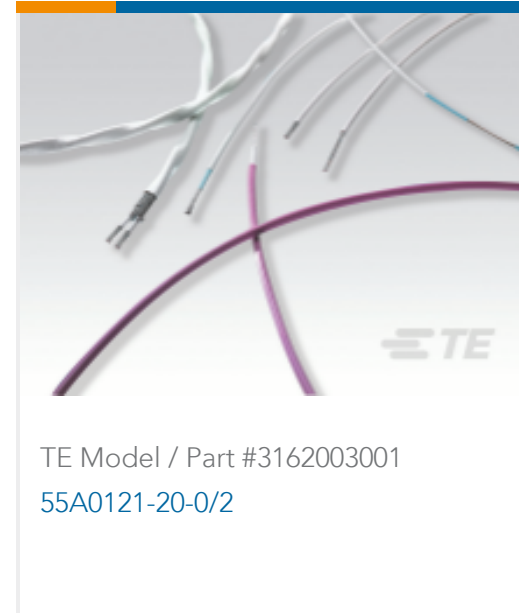
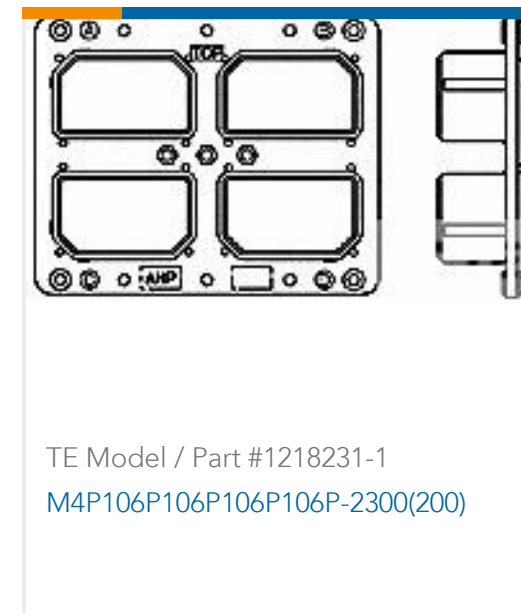
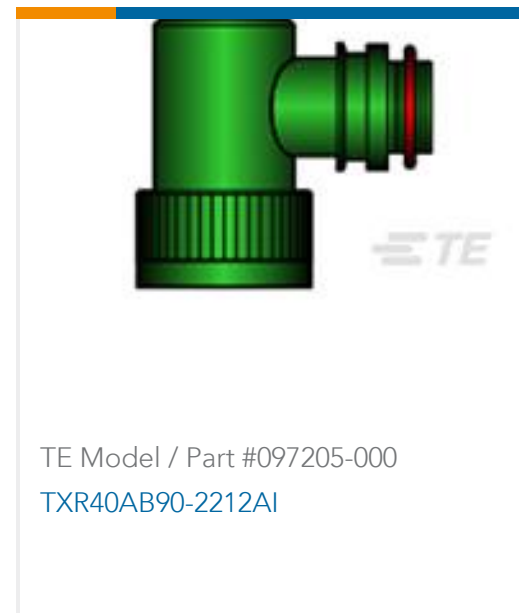
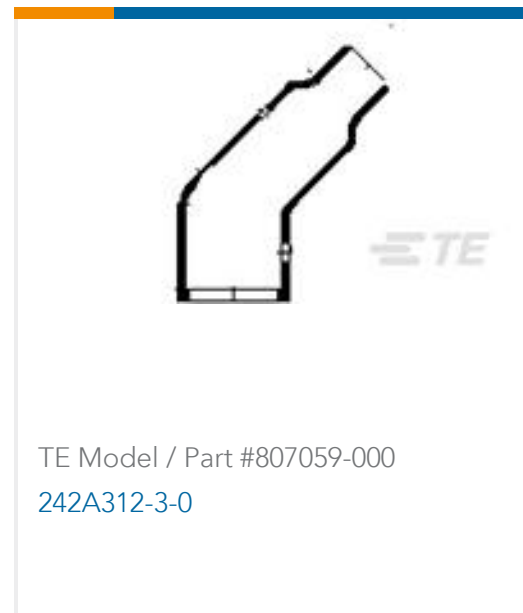
Halogen Content Out of Scope - excluded from Halogen requirements

Solder Process Capability Not applicable for solder process capability

**Product Compliance Disclaimer**

This information is provided based on reasonable inquiry of our suppliers and represents our current actual knowledge based on the information they provided. This information is subject to change. The part numbers that TE has identified as EU RoHS compliant have a maximum concentration of 0.1% by weight in homogenous materials for lead, hexavalent chromium, mercury, PBB, PBDE, DBP, BBP, DEHP, DIBP, and 0.01% for cadmium, or qualify for an exemption to these limits as defined in the Annexes of Directive 2011/65/EU (RoHS2). Finished electrical and electronic equipment products will be CE marked as required by Directive 2011/65/EU. Components may not be CE marked. Additionally, the part numbers that TE has identified as EU ELV compliant have a maximum concentration of 0.1% by weight in homogenous materials for lead, hexavalent chromium, and mercury, and 0.01% for cadmium, or qualify for an exemption to these limits as defined in the Annexes of Directive 2000/53/EC (ELV). Regarding the REACH Regulation, the information TE provides on SVHC in articles for this part number is based on the latest European Chemicals Agency (ECHA) 'Guidance on requirements for substances in articles' posted at this URL: <https://echa.europa.eu/guidance-documents/guidance-on-reach>

**Customers Also Bought**



## Documents

### Product Drawings

[55FB1514-24-7L-0](#)

English

### Datasheets & Catalog Pages

[1654025\\_Sec9\\_55F](#)

English

### Raychem Wire and Cable Quick Reference Guide

English

### Product Specifications

[Product Specification](#)

English