

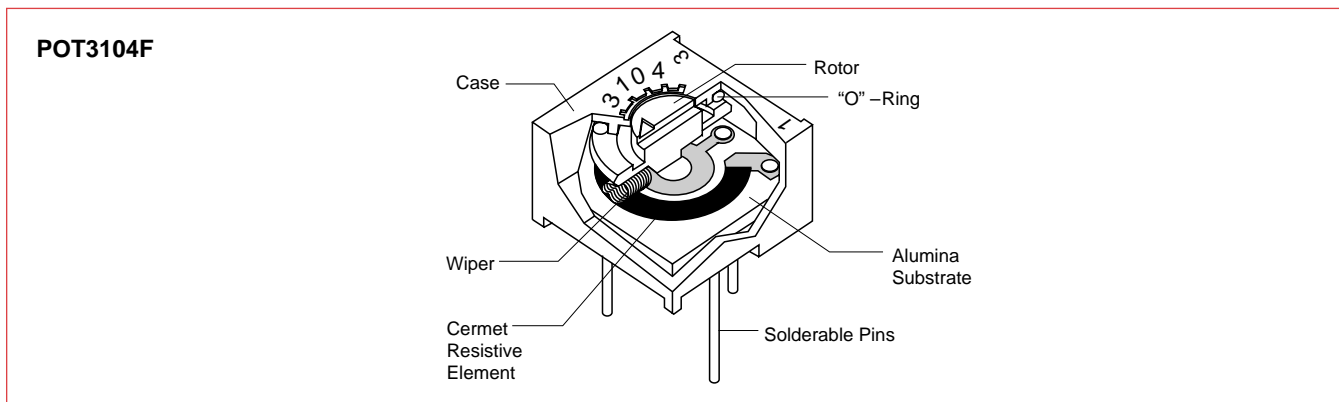
FEATURES

- Single-turn cermet; square with 9.6(W) x 9.6(L) x 4.9(T)mm package
- Compatible with ultrasonic cleaning
- Flammability: UL94V-0

APPLICATIONS

TVs, HDTVs, professional cameras, facsimile machines, printers, CPUs and switching power supplies

CONSTRUCTION



SPECIFICATIONS

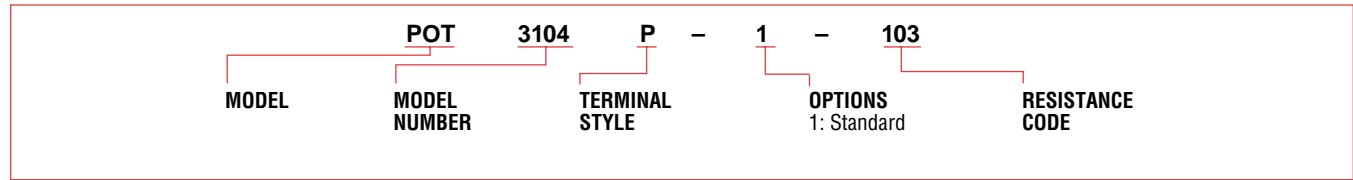
Item	
Standard Resistance Range	10Ω to 2MΩ
Nominal Resistance Tolerance	±10%
Power Rating	70°C – 0.5W, 125°C – 0W
Maximum Working Voltage	300V
Maximum Wiper Current	100mA max.
Operating Temperature Range	-55°C to 125°C
Effective Rotational Angle	280° ± 15°
Residual Resistance	2Ω max.
Contact Resistance Variation	1% or 1Ω max., whichever is greater
Dielectric Strength	900VAC
Insulation Resistance	100MΩ min. (500VDC)
Torque	35.3mNm (360gf • cm) max.
Stop Strength	68.6mNm (700gf • cm) min.

ENVIRONMENTAL SPECIFICATIONS

Item	
Temperature Coefficient of Resistance	±100ppm/°C
Temperature Cycle	Δ TR ±2%, Δ V.S.S. ±1%
Humidity Exposure	Δ TR ±2%, IR 100MΩ min.
Vibration (20G)	Δ TR ±1%, Δ V.S.S. ±1%
Shock (100G)	Δ TR ±1%, Δ V.S.S. ±1%
Load Life	Δ TR ±2%, Δ V.S.S. ±2%
Low Temperature Exposure	Δ TR ±1%, Δ V.S.S. ±1%
High Temperature Exposure	Δ TR ±2%, Δ V.S.S. ±1%
Rotational Life (200 cycles)	No intermittence on resistance change

Δ TR: Total Resistance Change • Δ V.S.S.: Voltage Setting Stability • IR: Insulation Resistance

PART NUMBERING SYSTEM



PART NUMBER TABLE

Nominal Resistance Values	Model Number				
	Top Adjustment	Top Adjustment	Side Adjustment	Side Adjustment	Side Adjustment
10Ω	POT3104F-1-100	POT3104P-1-100	POT3104H-1-100	POT3104X-1-100	POT3104W-1-100
20Ω	POT3104F-1-200	POT3104P-1-200	POT3104H-1-200	POT3104X-1-200	POT3104W-1-200
50Ω	POT3104F-1-500	POT3104P-1-500	POT3104H-1-500	POT3104X-1-500	POT3104W-1-500
100Ω	POT3104F-1-101	POT3104P-1-101	POT3104H-1-101	POT3104X-1-101	POT3104W-1-101
200Ω	POT3104F-1-201	POT3104P-1-201	POT3104H-1-201	POT3104X-1-201	POT3104W-1-201
500Ω	POT3104F-1-501	POT3104P-1-501	POT3104H-1-501	POT3104X-1-501	POT3104W-1-501
1kΩ	POT3104F-1-102	POT3104P-1-102	POT3104H-1-102	POT3104X-1-102	POT3104W-1-102
2kΩ	POT3104F-1-202	POT3104P-1-202	POT3104H-1-202	POT3104X-1-202	POT3104W-1-202
5kΩ	POT3104F-1-502	POT3104P-1-502	POT3104H-1-502	POT3104X-1-502	POT3104W-1-502
10kΩ	POT3104F-1-103	POT3104P-1-103	POT3104H-1-103	POT3104X-1-103	POT3104W-1-103
20kΩ	POT3104F-1-203	POT3104P-1-203	POT3104H-1-203	POT3104X-1-203	POT3104W-1-203
25kΩ	POT3104F-1-253	POT3104P-1-253	POT3104H-1-253	POT3104X-1-253	POT3104W-1-253
50kΩ	POT3104F-1-503	POT3104P-1-503	POT3104H-1-503	POT3104X-1-503	POT3104W-1-503
100kΩ	POT3104F-1-104	POT3104P-1-104	POT3104H-1-104	POT3104X-1-104	POT3104W-1-104
200kΩ	POT3104F-1-204	POT3104P-1-204	POT3104H-1-204	POT3104X-1-204	POT3104W-1-204
250kΩ	POT3104F-1-254	POT3104P-1-254	POT3104H-1-254	POT3104X-1-254	POT3104W-1-254
500kΩ	POT3104F-1-504	POT3104P-1-504	POT3104H-1-504	POT3104X-1-504	POT3104W-1-504
1MΩ	POT3104F-1-105	POT3104P-1-105	POT3104H-1-105	POT3104X-1-105	POT3104W-1-105
2MΩ	POT3104F-1-205	POT3104P-1-205	POT3104H-1-205	POT3104X-1-205	POT3104W-1-205

DIMENSIONS: mm

