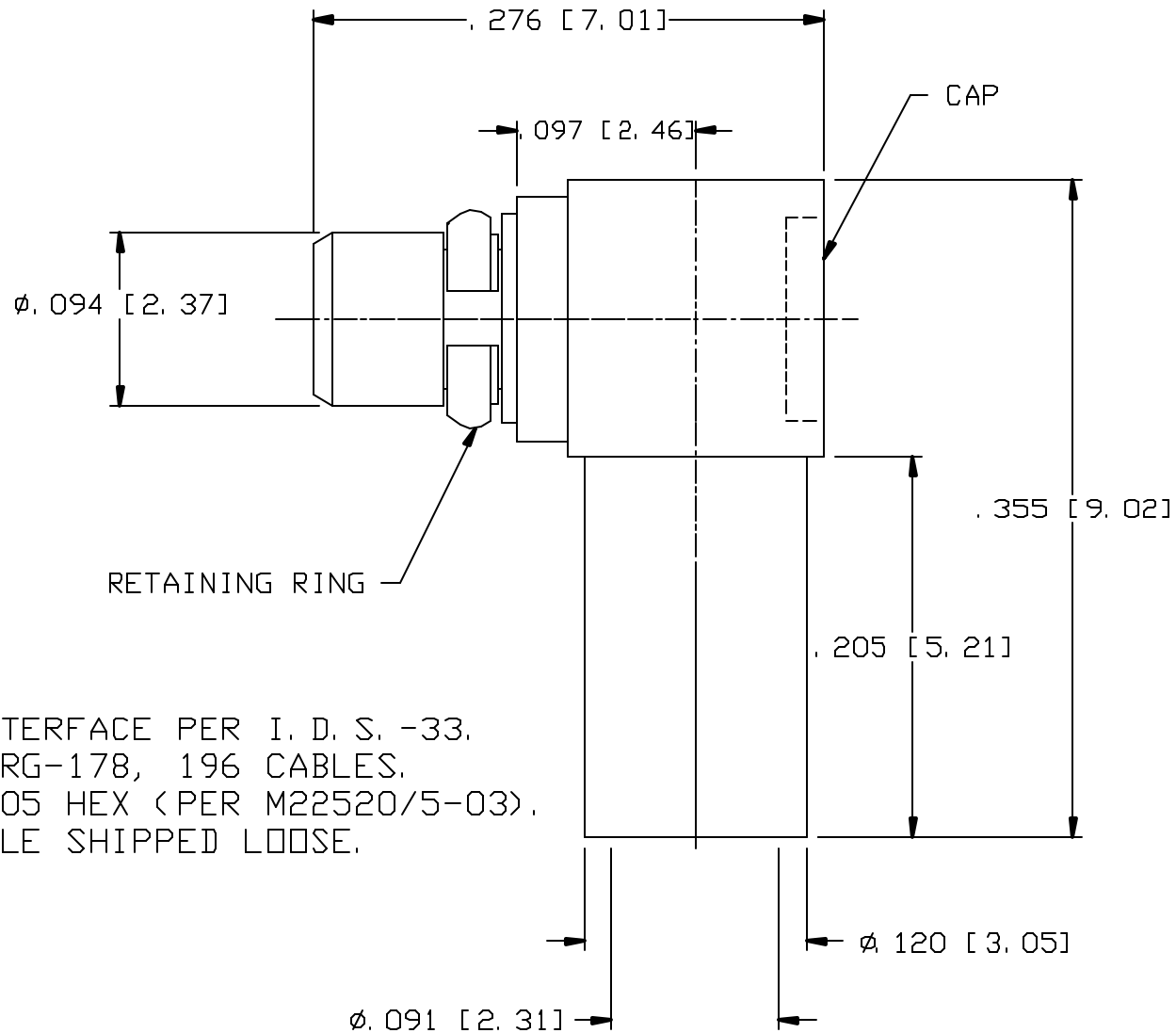


CAD DRAWING - NO MANUAL REVISIONS



NOTES:

1. DESIGN AND INTERFACE PER I. D. S. -33.
2. FOR USE WITH RG-178, 196 CABLES.
3. CRIMP WITH .105 HEX (PER M22520/5-03).
4. CAP AND FERRULE SHIPPED LOOSE.

| | | | | | | | | | | |
|------|--------------|----------|-------|---|---------------------------------------|----------|----------|----------|--------------|--------------|
| P | PER ECN 9240 | 01/21/08 | JEM | PALCO CONNECTOR 22 GREAT HILL RD., NAUGATUCK, CT 06770 UNLESS OTHERWISE SPECIFIED, PALCO WORKMANSHIP STANDARDS APPLY TOLERANCES (IN): DECIMALS: XX ±.01 .XXX ±.005 ANGLES ±1/2° 32' DIMENSIONS IN INCHES OR (METRIC) DO NOT SCALE PRINTS | DRAWN | CHECKED | ENGINEER | APPROVED | FSCM | |
| N | PER ECN 8327 | 01/05/06 | JEM | | YS | HN | EW | HN | 58167 | |
| M | PER ECN 5423 | 03/27/00 | HN | | DESCRIPTION RIGHT ANGLE, PMMX PLUG | DATE | | | DRAWING NO. | PLATING OPT. |
| L | PER ECN 4759 | 10/29/98 | HN | | | 05/25/93 | | | 33-2800-0400 | A |
| K | PER ECN 3572 | 09/30/96 | HN | | CATALOG ITEM | | | | | |
| REV. | DESCRIPTION | DATE | APPR. | | | | | | | |