

# ATTENUATORS

Type N, up to 18 GHz, 5 Watts

## SPECIFICATIONS:

Models: 18N5W-XX, 18N5W-XXF & 18N5W-XXM

**RoHS**  
Compliant

### Electrical:

Frequency Range \_\_\_\_\_ DC - 18 GHz  
 Standard Freq. Values \_\_\_\_\_ 2.5, 4, 6, 12.4 & 18 GHz  
 Standard dB Values\* \_\_\_\_\_ 0 - 10, 12, 15, 20, 30 & 40 dB  
 Attenuation Accuracy \_\_\_\_\_ In 1 dB Increments  
 0 - 6 dB \_\_\_\_\_ ±0.3 dB  
 7 - 20 dB \_\_\_\_\_ ±0.5 dB  
 21 - 30 dB \_\_\_\_\_ ±0.75 dB  
 40 dB \_\_\_\_\_ ±1.5 dB

### VSWR

DC - 4 GHz \_\_\_\_\_ 1.15:1 Max.  
 4 - 8 GHz \_\_\_\_\_ 1.20:1 Max.  
 8 - 12.4 GHz \_\_\_\_\_ 1.25:1 Max.  
 12.4 - 18 GHz \_\_\_\_\_ 1.35:1 Max.

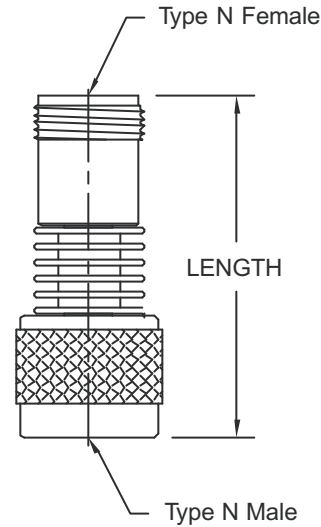
Input Power \_\_\_\_\_ 5 Watts Avg. @ 25°C  
Derated Linearly to 1 Watt @ +125°C

Impedance \_\_\_\_\_ 50 Ohms  
 Operating Temp Range \_\_\_\_\_ -65°C to +125°C

### Mechanical:

Type N Connectors \_\_\_\_\_ Passivated Stainless Steel  
Mates with MILSTD-348  
 Conductors \_\_\_\_\_ Gold Plated Beryllium Copper  
 Housing \_\_\_\_\_ Anodized Aluminum

**AEROFLEX**  
A passion for performance.



Connector Configuration	LENGTH	
	0 - 30 & 40 dB	
	Inches	Millimeters
Male/Female	1.90 ±.05	[48.3 ±1.3]
Male/Male	1.82 ±.05	[46.2 ±1.3]
Female/Female	1.99 ±.05	[50.5 ±1.3]

## HOW TO ORDER:

Model Number: **XXN5W-XXY**

Freq. Range  
 2 = DC - 2.5 GHz  
 4 = DC - 4 GHz  
 6 = DC - 6 GHz  
 12 = DC - 12.4 GHz  
 18 = DC - 18 GHz

Connector Configuration  
 = Male/Female  
 F = Fem/Fem  
 M = Male/Male  
 dB Value

## Ordering Examples:

Model Number: **4N5W-20**  
 DC - 4 GHz, 20 dB; Type N - Male/Fem

Model Number: **18N5W-06F**  
 DC - 18 GHz, 6 dB; Type N - Fem/Fem

Model Number: **12N5W-03M**  
 DC - 12.4 GHz, 3 dB; Type N - Male/Male

Note: Dimensions in Brackets are Expressed in Millimeters and are for Reference Only.  
 \*Other dB values, units that operated over a more specific frequency band and/or offer very low return loss (VSWR) are also available.

XXN5W-ATT: REV M

**AEROFLEX**  
INMET

Aeroflex / Inmet, Inc. • 300 Dino Drive, Ann Arbor, MI 48103 • U.S.A.  
 888-244-6638 or 734-426-5553 • FAX: 734-426-5557  
 www.aeroflex-inmet.com • inmet-sales@aeroflex.com