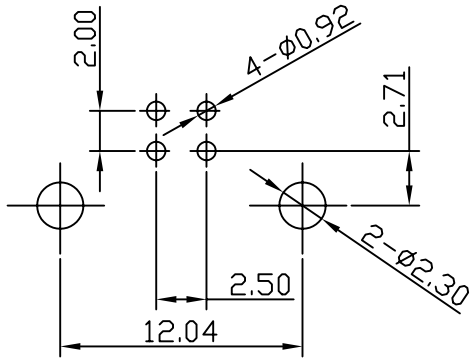


***** 2075 SERIES *****

MATERIAL:

- * INSULATOR : PBT UL94V-0
- * CONTACT : PHOSPHOR BRONZE
- * SHELL : PHOSPHOR BRONZE



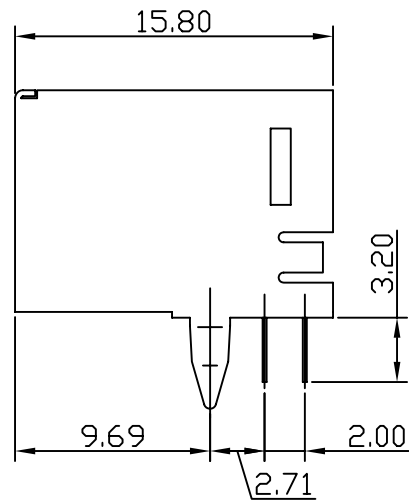
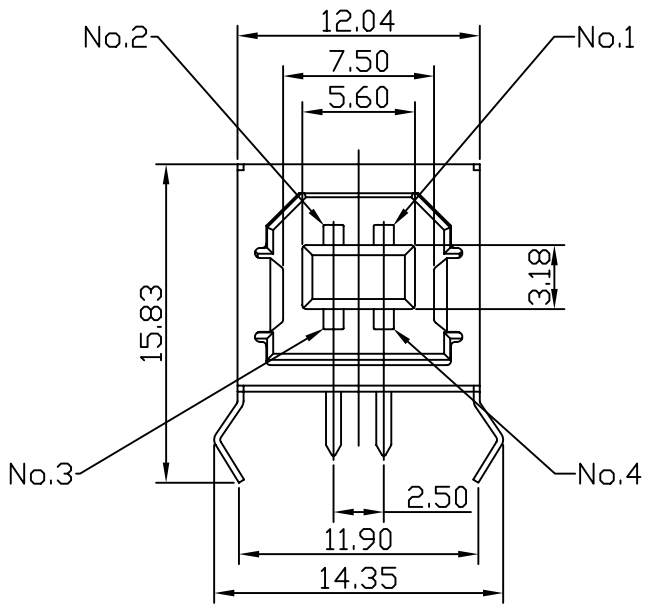
P.C.B. LAYOUT

ORDERING INFORMATION :

Part No. :

2075 S 0 * B 0 * N
1 2 3 4 5 6 7 8

1. Series No.
2. S : SOCKET
3. 0 : Single stack
4. Plating:
K : Slective 30 μ" gold plated over 50 μ" nickel
R : Selective gold flash over 30 μ" palladium/nickel over 50 μ" nickel
5. Type : B : B Type
6. Type : 0 : H Type 1 : H Type+Rear Shell
7. Color :
0 : Beige
1 : Black
2 : White
8. N : HAVE A SIDESTEP & NO MARK IN THE SHELL



				龍傑(蘇州)精密工業有限公司 LEOCO CORPORATION	APPROVED BY:	PART NO.:					
					GENERAL TOLERANCE	CHECKED BY:	2075S0*B0*N				
				X. ±	X' ± 2'	TITLE: USB CONNECTOR					
				.X ± $\frac{0.30}{.012}$.X' ±	DRAWING NO.:					
				.XX ± $\frac{0.20}{.008}$.XX' ±	207551S					
A	DWG REL.			.XXX ± $\frac{0.10}{.004}$.XXX' ±		UNITS	SCALE	SIZE	SHEET	REV.
REV.	ECO. NO.	CHG	APPD.				mm	2.5/1	A4	1/1	A