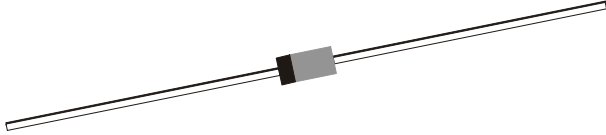


HIGH SPEED SILICON SWITCHING DIODE AXIAL LEAD

1N4148
DO-35, 500mW



MARKING: Cathode band
+
4148
(no body coat)

General purpose applications. Hermetically sealed glass and the glass passivated chip Provides excellent stability.

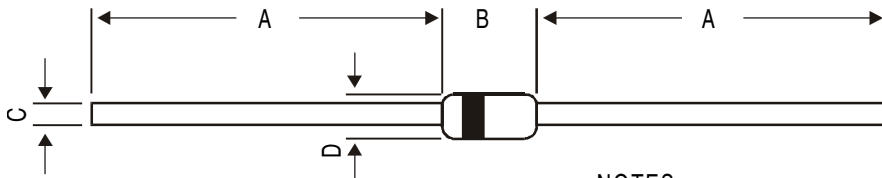
ABSOLUTE MAXIMUM RATINGS (Ta=25 deg C otherwise specified)

DESCRIPTION	SYMBOL	VALUE	UNIT
Peak Repetitive Reverse Voltage	VRRM	80	V
Reverse Voltage (Continuous)	VR	75	V
Average Forward Current	IF(AV)	150	mA
Forward Current (DC)	IF	200	mA
Repetitive Peak Forward Current	IFRM	450	mA
Non Repetitive Peak Surge Current	IFSM	2000	mA
	IFSM	500	mA
Power Dissipation	PTA	500	mW
Derating Factor		2.85	mW/deg C
Operating & Storage Junction Temperature Range	Tj, Tstg	-65 to +200	deg C

ELECTRICAL CHARACTERISTICS (Ta=25 deg C Unless Otherwise Specified)

DESCRIPTION	SYMBOL	TEST CONDITION	MIN	TYP	MAX	UNIT
Forward Voltage	VF	IF=10mA	-	-	1.0	V
Reverse Current	IR	VR=20V	-	-	500	nA
		VR=75V	-	-	20	uA
Reverse Breakdown Voltage	VBR	IR=100uA	80	-	-	V
		IR=20uA	75	-	-	V
<u>DYNAMIC CHARACTERISTICS</u>						
Diode Capacitance	Cd	VR=0V, f=1MHz	-	-	4.0	pF
Forward Recovery Voltage	Vfr	IF=50mA, tr=20ns	-	-	2.5	V
Reverse Recovery Time	trr	IF=10mA, to IR=60mA	-	-	4.0	ns
		RL=100ohms				
		Measured @ IR=1mA				

DO-35 Glass Axial Package

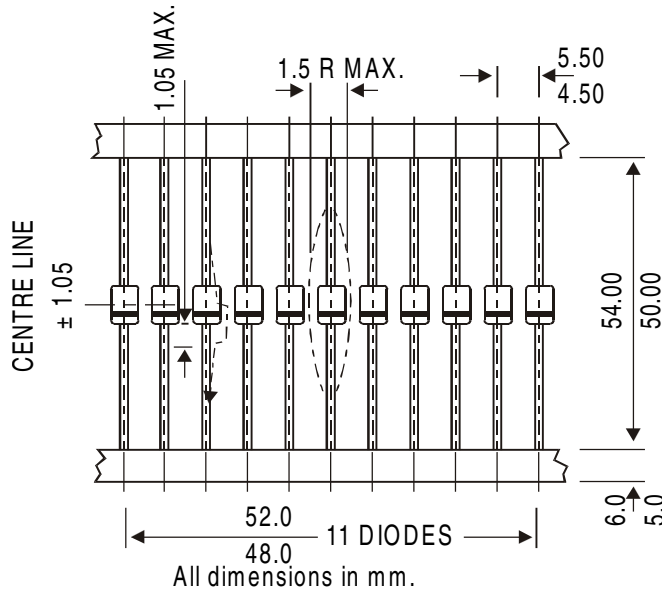


DIM	MIN	MAX
A	25.40	—
B	3.03	4.44
C	0.46	0.56
D	1.52	2.29

NOTES

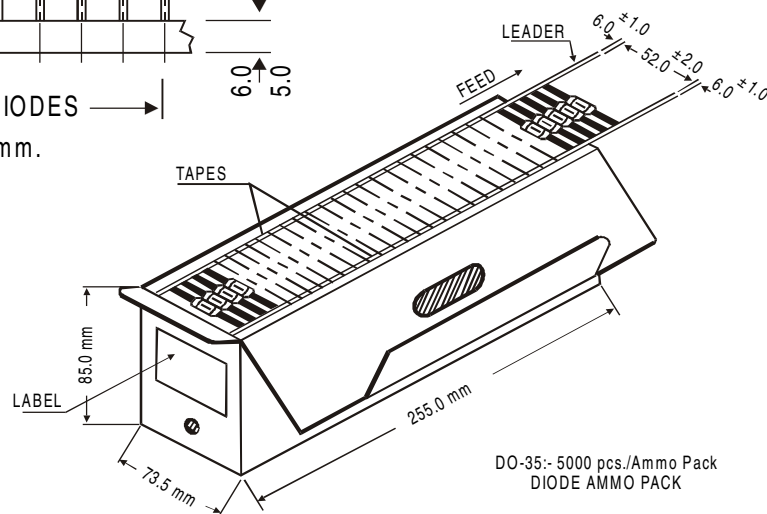
1. Cathode is marked by Band.
2. All dimensions are in mm.

DO-35, 52mm Taping Specification



52 mm Taping Specification

1. T & A indicates Axial Tape & Ammo packing (52 mm Tape Spacing).
2. 300 mm (min) leader tape on every spool.
3. No. of empty places allowed 0.25% without consecutive empty places.
4. Ends of leads shall preferably not protrude beyond the tapes.
5. Components shall be held sufficiently in the tape or tapes so that they can not come free in normal handling.



DO-35:- 5000 pcs./Ammo Pack
DIODE AMMO PACK

On request also available in 26 mm Tape and Ammo Pack

Packing Detail

PACKAGE	STANDARD PACK		INNER CARTON BOX		OUTER CARTON BOX		
	Details	Net Weight/Qty	Size	Qty	Size	Qty	Gr Wt
DO-35 T&A	5K/ammo box	0.88 kg/5K pcs	10" x 3.5" x 3.5"	5.0K	12.7" x 12.7" x 20"	125.0K	25 kgs