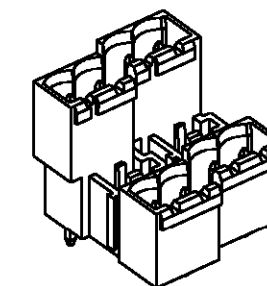
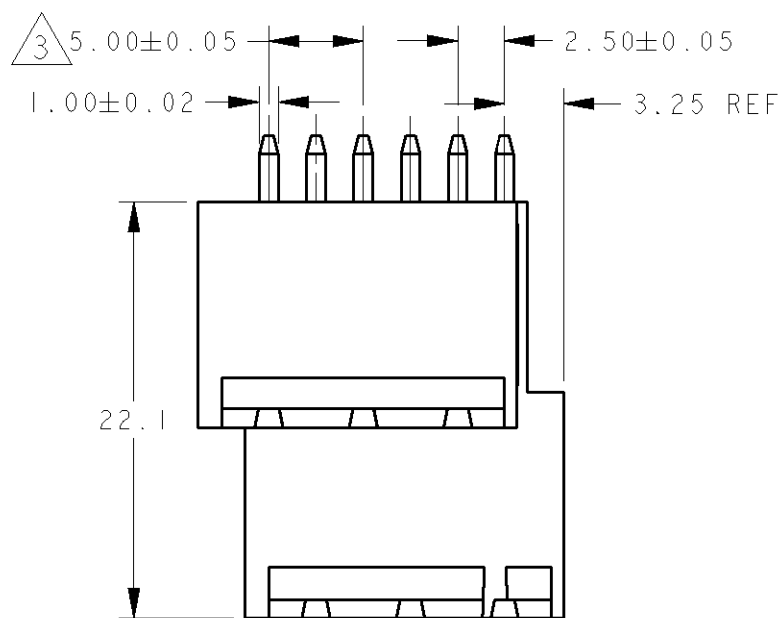


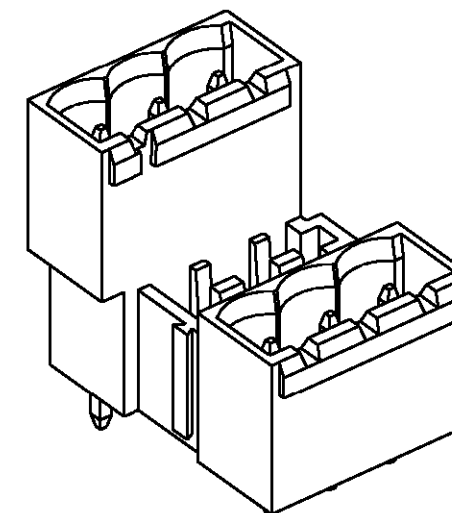
THIS DRAWING IS UNPUBLISHED. RELEASED FOR PUBLICATION 20  
 © COPYRIGHT 20 BY TYCO ELECTRONICS CORPORATION. ALL RIGHTS RESERVED.

LOC	DIST	REVISIONS			
P	LTR	DESCRIPTION	DATE	DWN	APVD
FT	0	B	REVISED PER 0G3B-0119-01	30JAN2002	EZ DB

- 1 MATERIALS AND FINISH  
HOUSING: PA 6-6, UL 94-V0, COLOR GREEN.  
TERMINAL: PHOSPHOR BRONZE, TIN PLATED.
- 2 SUITABLE FOR 1,6-2,4mm PC BOARD THICKNESS.
- 3 NOT CUMULATIVE TOLERANCE.
- 4 P/N FROM 284064-3 TO 2-284064-5 ARE OBTAINED BY ASSEMBLING DIFFERENT MONOLITHIC MODULES CHOSEN AMONG : 284064-2 AND 284064-3, IN ORDER TO REALIZE THE DESIRED NUMBER OF WAYS.

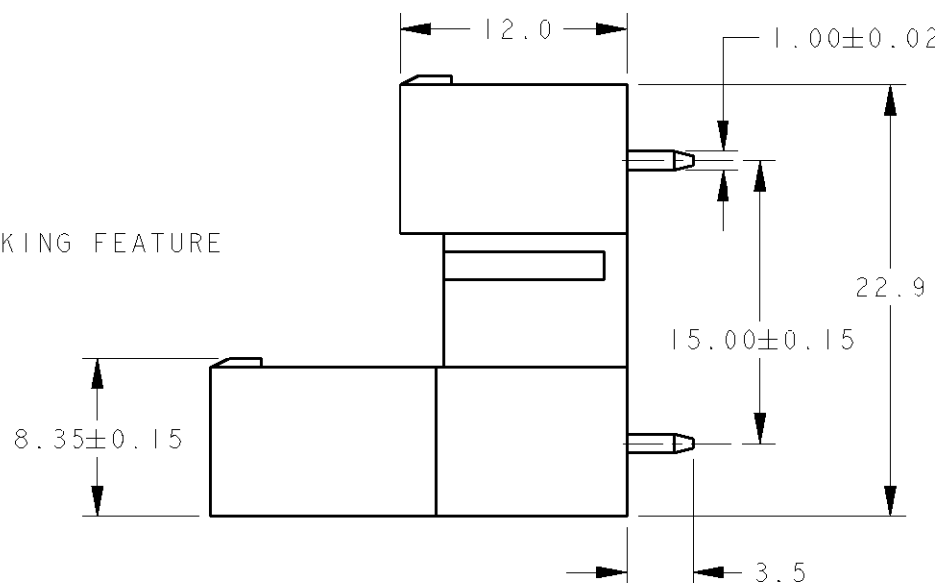
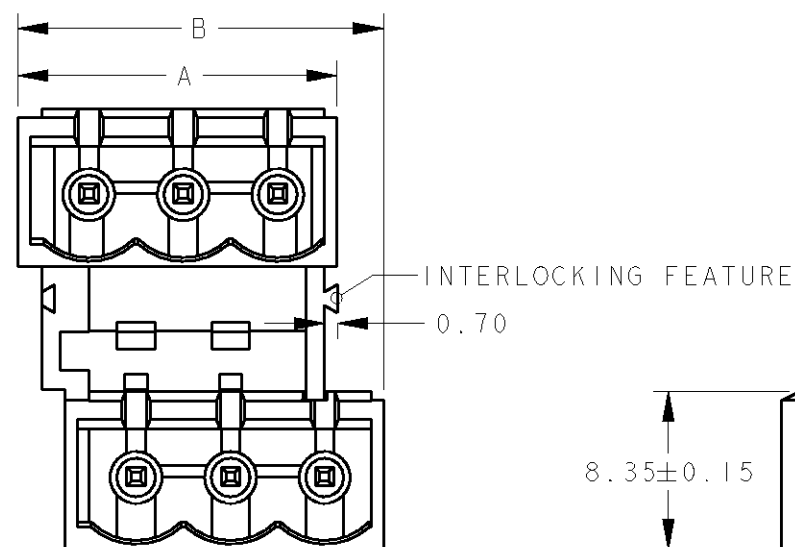


EXPLODED VIEW OF 284064-4

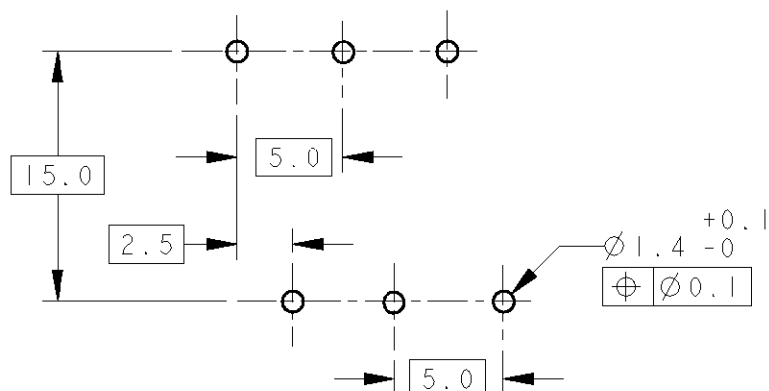


284064-3 AS SHOWN

DIM"A"	DIM"B"	N°OF TOTAL POS.	PART NUMBER
127	129.5	25	2-284064-5
122	124.5	24	2-284064-4
117	119.5	23	2-284064-3
112	114.5	22	2-284064-2
107	109.5	21	2-284064-1
102	104.5	20	2-284064-0
97	99.5	19	1-284064-9
92	94.5	18	1-284064-8
87	89.5	17	1-284064-7
82	84.5	16	1-284064-6
77	79.5	15	1-284064-5
72	74.5	14	1-284064-4
67	69.5	13	1-284064-3
62	64.5	12	1-284064-2
57	59.5	11	1-284064-1
52	54.5	10	1-284064-0
47	49.5	9	284064-9
42	44.5	8	284064-8
37	39.5	7	284064-7
32	34.5	6	284064-6
27	29.5	5	284064-5
22	24.5	4	284064-4
17	19.5	3	284064-3
12	14.5	2	284064-2



RECOMMENDED PC BOARD LAYOUT



<small>THIS DRAWING IS A CONTROLLED DOCUMENT FOR TYCO ELECTRONICS CORPORATION IT IS SUBJECT TO CHANGE AND THE CONTROLLING ENGINEERING ORGANIZATION SHOULD BE CONTACTED FOR THE LATEST REVISION.</small>		DWN 30JAN2002 E. ZANOLINI CHK 30JAN2002 E. ZANOLINI APVD 30JAN2002 D. BIEVENOUR		<b>BUCHANAN</b> Tyco Electronics Harrisburg, PA 17105-3608	
DIMENSIONS: mm		TOLERANCES UNLESS OTHERWISE SPECIFIED: 0 PLC ±- 1 PLC ±.3 2 PLC ±.25 3 PLC ±- 4 PLC ±- ANGLES ±2		NAME <b>TERMINAL BLOCK MULTIPLE HEADER 180° CLOSED ENDS, 5.0mm PITCH</b>	
MATERIAL		FINISH		PRODUCT SPEC - APPLICATION SPEC - WEIGHT -	
CUSTOMER DRAWING		SIZE A3 CAGE CODE 00779 DRAWING NO C-284064		RESTRICTED TO -	
		SCALE		SHEET OF REV B	