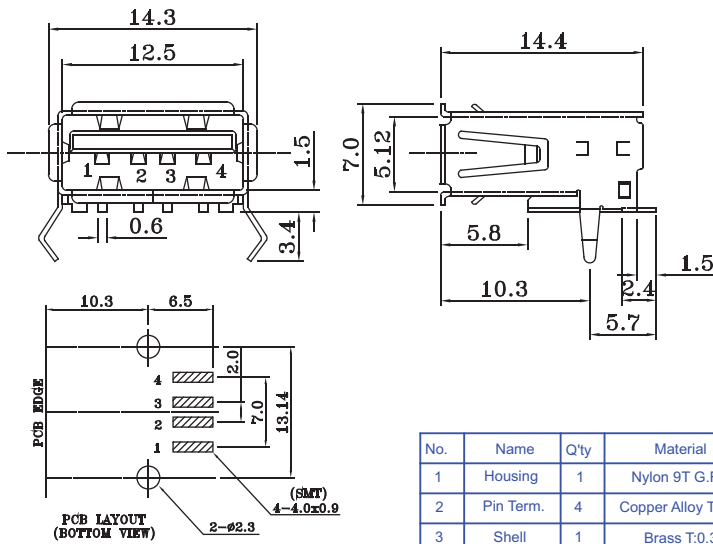


## USB Female SMT 90°A Type

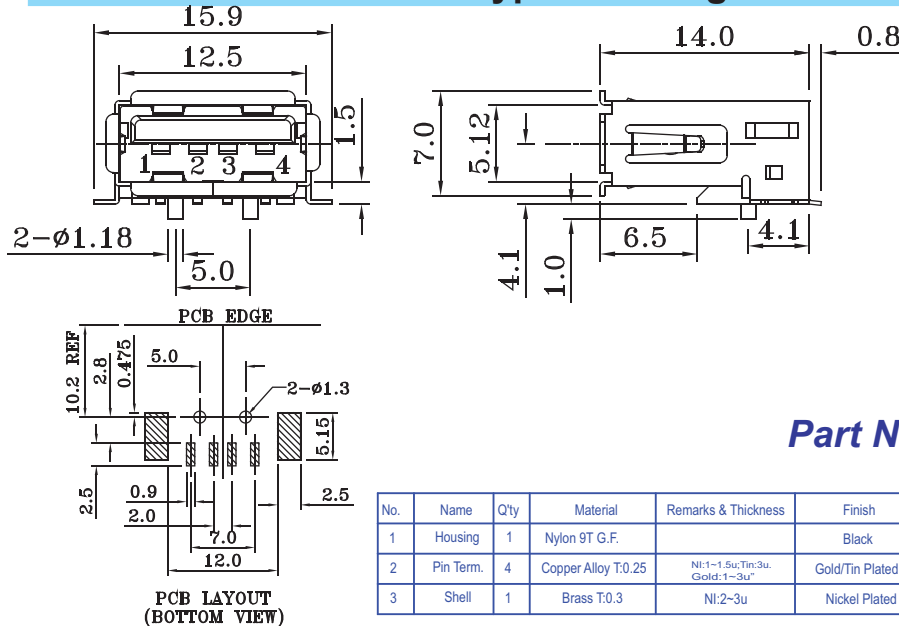


Part No.: **USB-001H-A**  -U

**B:Black W:White**

No.	Name	Qty	Material	Remarks & Thickness	Finish
1	Housing	1	Nylon 9T G.F.		White/Black
2	Pin Term.	4	Copper Alloy T:0.25	Ni:1~1.5u;Tin:3u; Gold:1~3u*	Gold/Tin Plated
3	Shell	1	Brass T:0.3	Ni:2~3u	Nickel Plated

## USB Female SMT 90°A Type With Peg

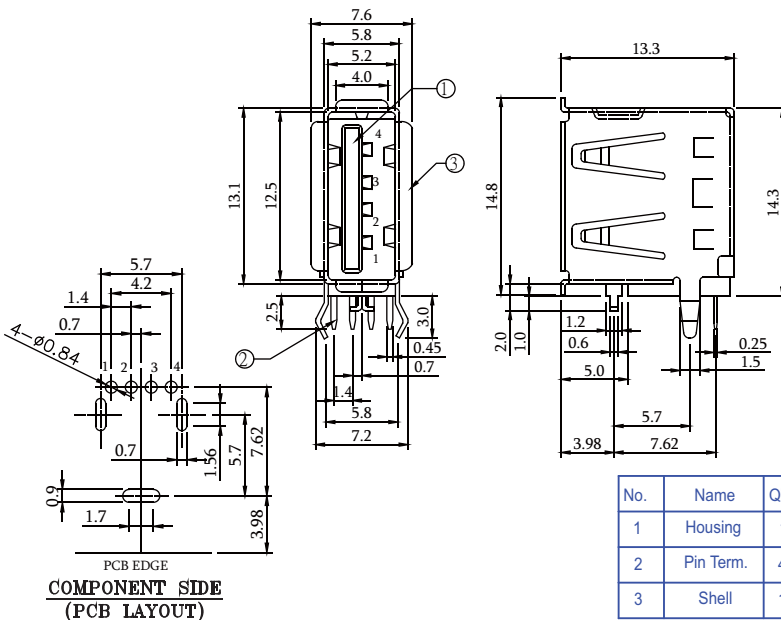


Part No.: **USB-001FA-A1**  -U

**B:Black W:White**

No.	Name	Qty	Material	Remarks & Thickness	Finish
1	Housing	1	Nylon 9T G.F.		Black
2	Pin Term.	4	Copper Alloy T:0.25	Ni:1~1.5u;Tin:3u; Gold:1~3u*	Gold/Tin Plated
3	Shell	1	Brass T:0.3	Ni:2~3u	Nickel Plated

## USB Female Dip Upright A Type



Part No.: **USB-001VF-A**  -U

**B:Black W:White**

No.	Name	Qty	Material	Remarks & Thickness	Finish
1	Housing	1	Nylon 9T G.F.		White/Black
2	Pin Term.	4	PBS T:0.25	Ni:1~1.5u;Tin:3u; Gold:1~3u*	Gold/Tin Plated
3	Shell	1	Brass T:0.3	Ni:2~3u	Nickel Plated