

1 2 3 4 5 6 7 8

REVISIONS			
ISS	ZONE	DESCRIPTION	PER REQUEST\DATE

F

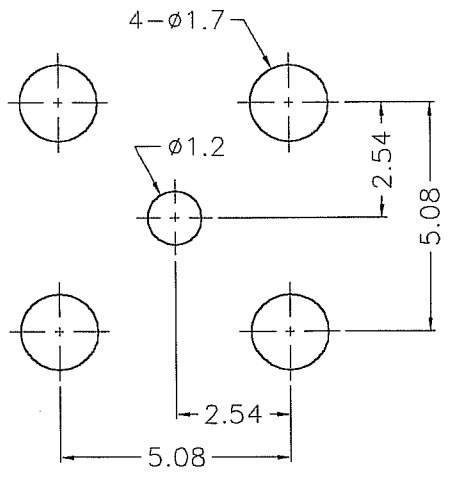
E

D

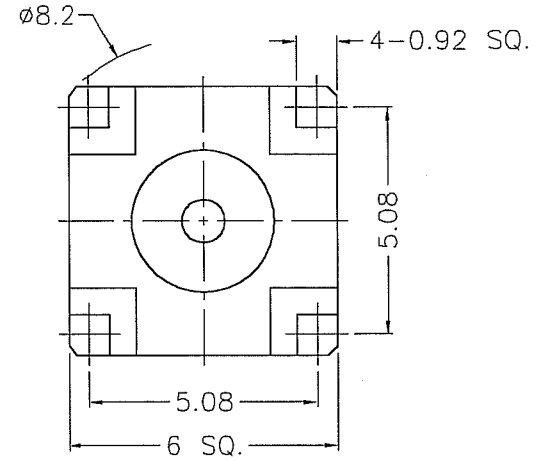
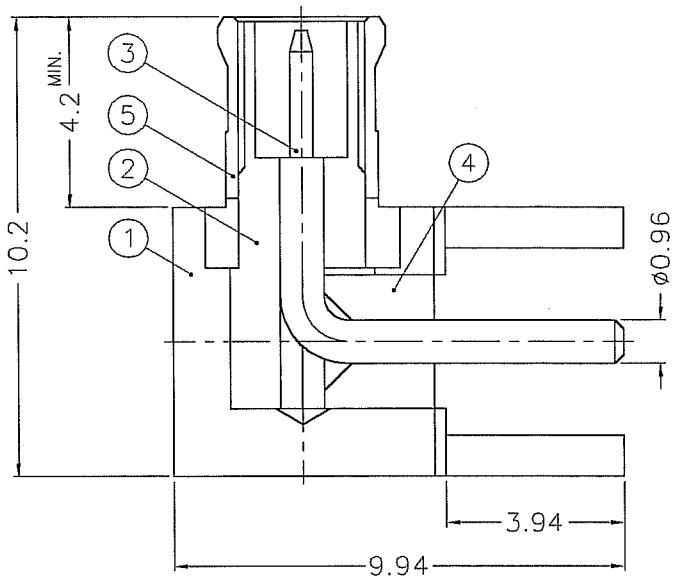
C

B

A



PCB MOUNTING HOLE
(印刷电路板架設孔)



- NOTES: FINISH (PLATING THICKNESS IN MICRO-INCHES)
- BRASS PER QQ-B-626
 - BERYLLIUM COPPER PER QQ-C-530
 - GOLD PL. 3 MIN. THICK OVER NICKEL PL. 100 MIN. THICK OVER COPPER STRIKE
 - GOLD PL. 30 MIN. THICK OVER NICKEL PL. 100 MIN. THICK OVER COPPER STRIKE
 - TEFLON MIL-P-19468

NO.	DESCRIPTION	MATERIAL	FINISH	Q'TY	DRAWING NO.
5	OUT CONTACT	NOTE 2	NOTE 3	1	TC08AAB01A
4	INSULATOR	NOTE 5	NATURAL	1	MCX6252B1-4T -50-B
3	CONTACT PIN	NOTE 1	NOTE 4	1	CPO8ABLO1A
2	INSULATOR	NOTE 5	NATURAL	1	NS08ABNO1A
1	HOUSING	NOTE 1	NOTE 3	1	HS00AKG01A

DIMENSIONS ARE IN MILLIMETERS			
UNLESS OTHERWISE SPECIFIED TOLERANCES			
0.5-6	=	±0.2	
6-30	=	±0.4	
30-120	=	±0.6	
120-315	=	±1	
315-1000	=	±1.6	
1000-2000	=	±2.4	
SCALE	6/1	ISSUE	A

PART NO.	
APPROVED	DATE 06-25-03'
CHECKED	DATE 06-25-03'
DRAWN	DATE 06-25-03'
FILE NO.	F:\DWG\MCX\1252B1\50\3GT30GSZ

Amphenol	
Danbury,CT,USA-Tainan,Taiwan-Shenzhen,China	
TITLE	MCX R/A P.C. BOARD RECEPT. PLUG
DRAWING NO.	MCX1252B1-3GT30G-50
ITEM NO.	081252AAB02GE5F

F

E

D

C

B

A

1 2 3 4 5 6 7 8

RD-DR9113