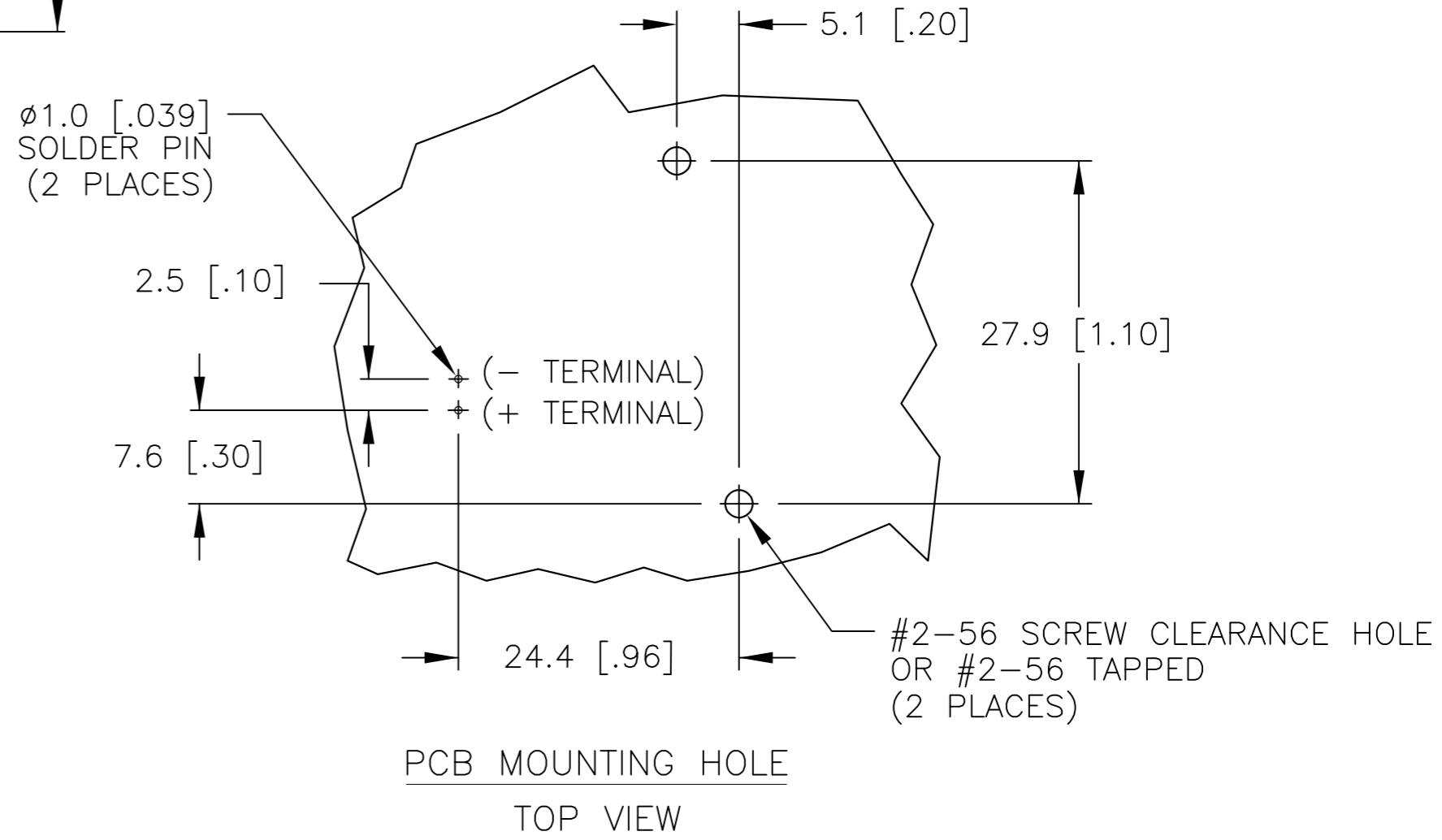
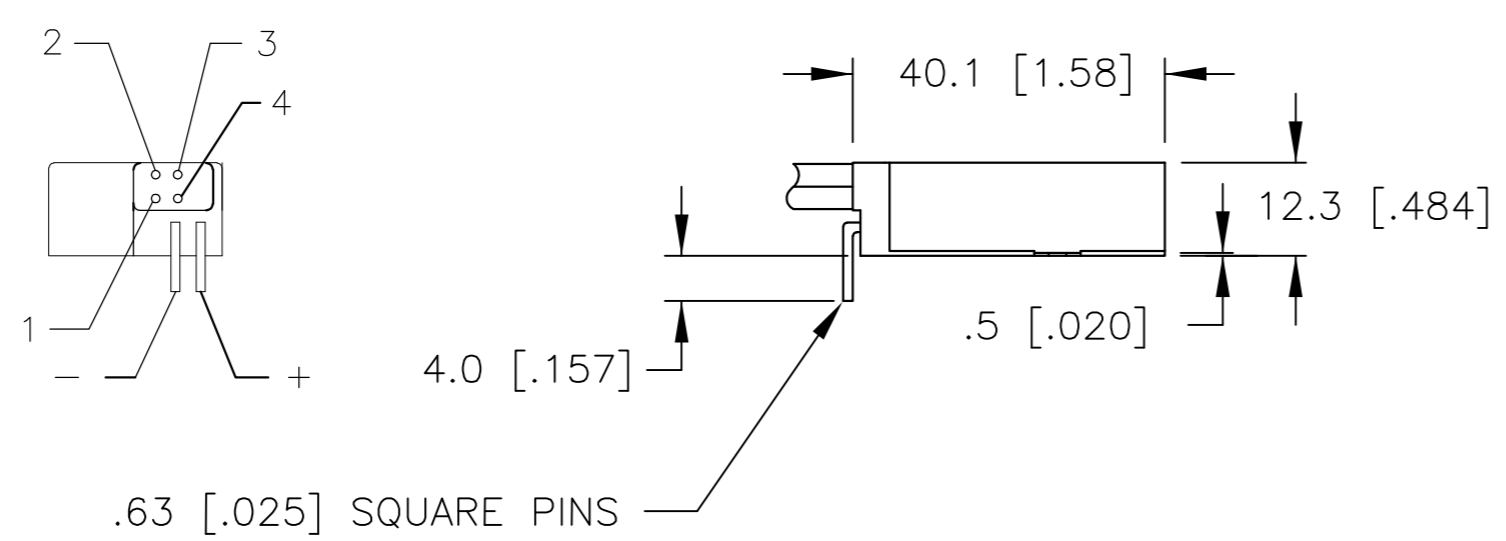
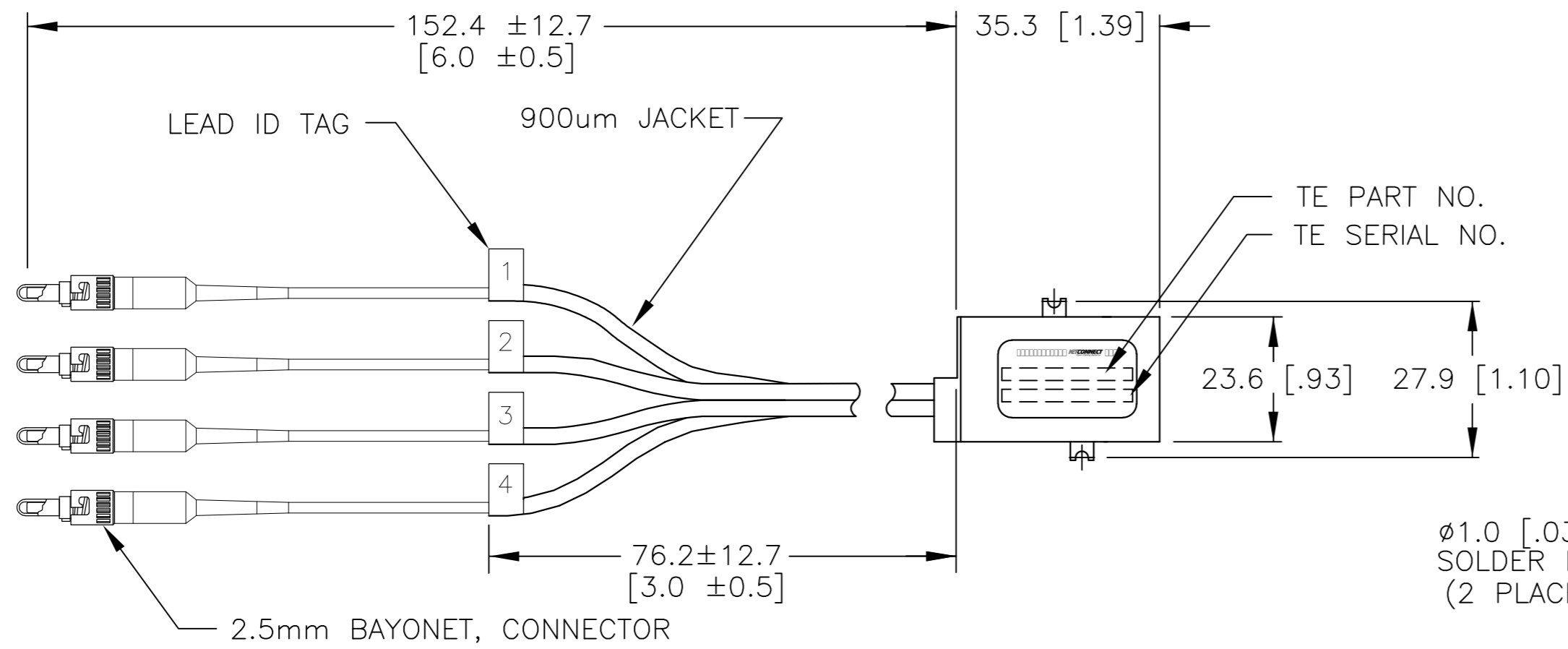


THIS DRAWING IS UNPUBLISHED. RELEASED FOR PUBLICATION
 © COPYRIGHT BY TYCO ELECTRONICS CORPORATION. ALL RIGHTS RESERVED.

LOC		DIST		REVISIONS			
P	LTR	DESCRIPTION	DATE	DWN	APVD		
EA	17	3	CHANGE TO BARE FIBER BOOT	20MAR08	LGE	RP	



- NOTES:
- DIMENSIONS IN [] ARE IN INCHES.
 - PERFORMANCE SPECIFICATIONS:

TESTED PER FOTP-34 METHOD A2
 INSERTION LOSS DATA INCLUDES TWO CONNECTED PAIRS
 INSERTION LOSS

POWER OFF,	1 TO 2	1.8dB MAX
POWER OFF,	3 TO 4	5.0dB MAX
POWER ON,	1 TO 4	1.8dB MAX
POWER ON,	3 TO 2	1.8dB MAX

OPTICAL CROSSTALK : </=-45dB PER FOTP-42

SWITCHING SPEED : 10ms MAX.

POWER REQUIREMENTS : 4-5 VOLTS, 80ma MAX. @ 5 VOLTS

OPERATING WAVELENGTHS : 750nm-1450nm

TESTED WAVELENGTH : 1300nm

3. THIS PRODUCT HAS NOT COMPLETED VALIDATION TESTING.

PRELIMINARY

PART NO.	FIBER CORE/CLADDING
5099514-2	50/125um
5099514-1	62.5/125um

THIS DRAWING IS A CONTROLLED DOCUMENT.		DWN	S. MONGOLD	02DEC05	Tyco Electronics Corporation Harrisburg, PA 17105-3608	
DIMENSIONS: MM [INCHES]		CHK	R. PAUL	02DEC05	NAME	
TOLERANCES UNLESS OTHERWISE SPECIFIED:		APVD	F. ABENDSCHEIN	02DEC05	PRODUCT SPEC	
0 PLC ± -		APPLICATION SPEC		SWITCH, MM, 2X2 /BYPASS		
1 PLC ± 0.5		WEIGHT		MD LEAD, 2.5mm		
2 PLC ± -		CUSTOMER DRAWING		BAYONET, OPT.		
3 PLC ± -		SCALE		1:1		
4 PLC ± -		SHEET		1 of 1		
ANGLES ± -		REV		3		
FINISH		SIZE		CAGE CODE		DRAWING NO
-		A2		00779		RESTRICTED TO
		SCALE		C=5099514		