

### G873H 4.2mm pitch Receptacle and Crimp Socket

#### Materials

- Housing – 94V-0 Nylon
- Contacts – P/B with 50µ" Ni
- Finish – Tin/Lead-30 Cycles
- Gold Flash-30 Cycles

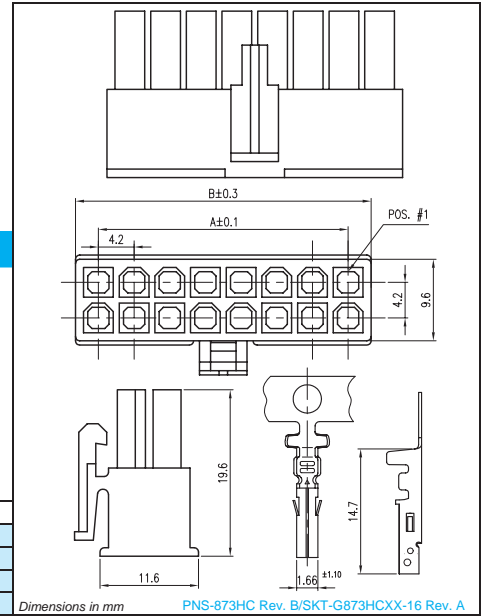
#### Electrical

- Current – 9A @ 250VRMS

#### Mating Half

- B2W Headers – G874A below
- W2W Plug – G874H below

Termination Info – Consult representative



#### Part Number System:

**G873H XX X X**

**POWER CONNECTOR**  
4.2mm PITCH  
Receptacle Crimp type



Suffix may be added to Part Number. This Suffix is for Internal use mainly. Additional Suffix 'EU' or 'LF' may be added for RoHS compliant product.

**NUMBER OF POSITIONS**  
02 to 24 Positions

#### COLOUR OF INSULATOR

- 1: White
- 2: Black
- 3: Beige
- 4: Brown

Contact 18-24AWG	Part Number:		Tin/Lead, Left-Hand Feed, 10K Reel											
			G873C024		G873C124									
Positions	2	4	6	8	10	12	14	16	18	20	22	24		
Dim A	4.2	8.4	12.6	16.8	21.0	25.2	29.4	33.6	37.8	42.0	46.2			
Dim B	5.4	9.6	13.8	18.0	22.2	26.4	30.6	34.8	39.0	43.2	47.4	51.6		

### G874H 4.2mm pitch Plug and Crimp Pin

#### Materials

- Housing – 94V-0 Nylon
- Contacts – P/B with 50µ" Ni
- Finish – Tin/Lead-30 Cycles
- Gold Flash-30 Cycles

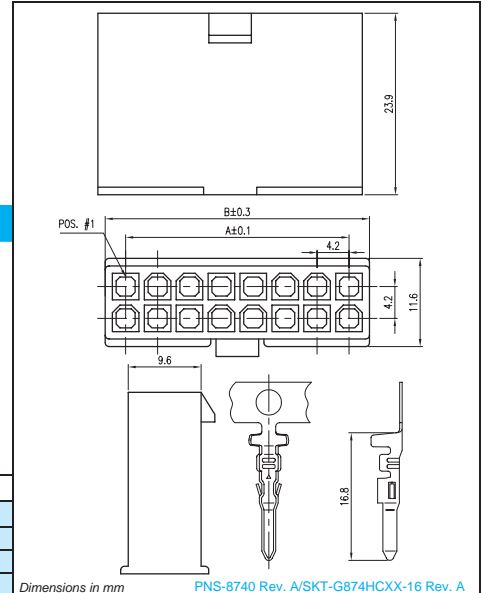
#### Electrical

- Current – 9A @ 250VRMS

#### Mating Half

- W2W Receptacle – G873H above

Termination – Consult representative



#### Part Number System:

**G874H XX X X**

**POWER CONNECTOR**  
4.2mm PITCH  
Pin Crimp type



Suffix may be added to Part Number. This Suffix is for Internal use mainly. Additional Suffix 'EU' or 'LF' may be added for RoHS compliant product.

**NUMBER OF POSITIONS**  
02 to 24 Positions

#### COLOUR OF INSULATOR

- 1: White
- 2: Black
- 3: Beige
- 4: Brown

Contact 18-24AWG	Part Number:		Tin/Lead, Left-Hand Feed, 10K Reel											
			G874C024		G874C124									
Positions	2	4	6	8	10	12	14	16	18	20	22	24		
Dim A	4.2	8.4	12.6	16.8	21.0	25.2	29.4	33.6	37.8	42.0	46.2			
Dim B	5.4	9.6	13.8	18.0	22.2	26.4	30.6	34.8	39.0	43.2	47.4	51.6		

### G874A 4.2mm pitch PCB Header

#### Materials

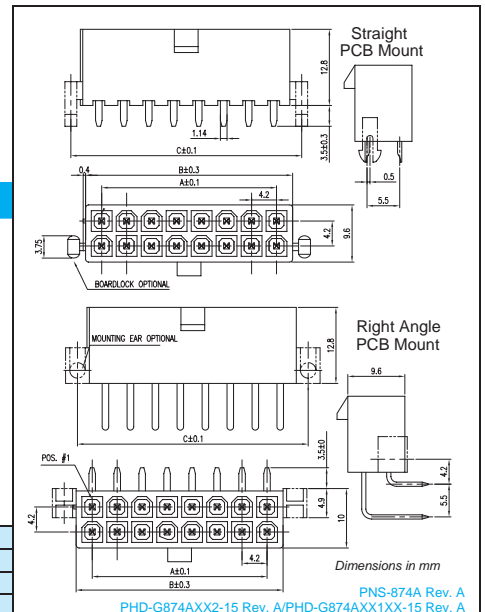
- Housing – 94V-0 Nylon
- Contacts – P/B with 50µ" Ni
- Finish – Tin/Lead – 30 Cycles
- Gold Flash – 30 Cycles

#### Electrical

- Current – 9A @ 600V

#### Mating Half

- B2W Receptacle – G873H above



#### Part Number System:

**G874A XX X X X X**

**POWER CONNECTOR**  
4.2mm PITCH Header  
Dip type



Suffix may be added to Part Number. This Suffix is for Internal use mainly. Additional Suffix 'EU' or 'LF' may be added for RoHS compliant product.

**NUMBER OF POSITIONS**  
02 to 24 Positions

#### MOUNTING STYLES

- 0: None
- 1: with Board-locks (Straight Only)
- 2: with Mounting Ear (R/A Only)

#### CONNECTOR STYLE

- 1: Straight
- 2: Right Angle

#### CONTACT FINISH

- 0: Gold Flash
- 1: 100µ" Tin

Positions	2	4	6	8	10	12	14	16	18	20	22	24		
	Dim A	4.2	8.4	12.6	16.8	21.0	25.2	29.4	33.6	37.8	42.0	46.2		
Dim B	5.4	9.6	13.8	18.0	22.2	26.4	30.6	34.8	39.0	43.2	47.4	51.6		
Dim C	9.4	13.6	17.8	22.0	26.2	30.4	34.6	38.8	43.0	47.2	51.4	55.6		