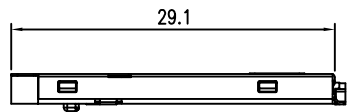
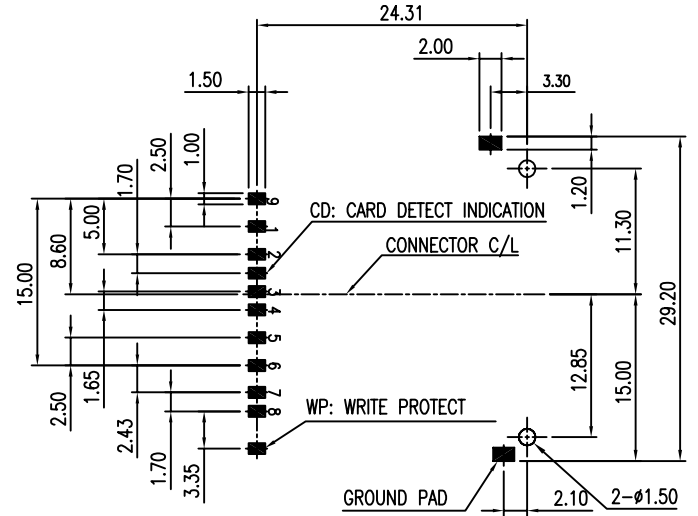
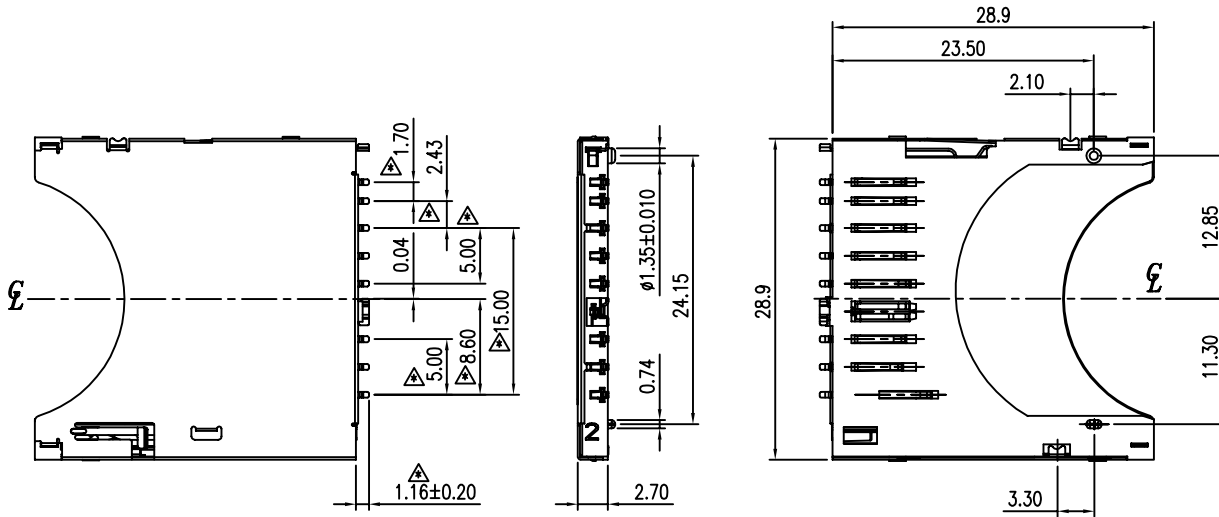


This document is the property of Amphenol Corporation and is delivered on the express condition that it is not to be disclosed, reproduced or used, in whole or in part, for manufacture or sale by anyone other than Amphenol Corporation without its prior consent, and that no right is granted to disclose or to use any information in this document.

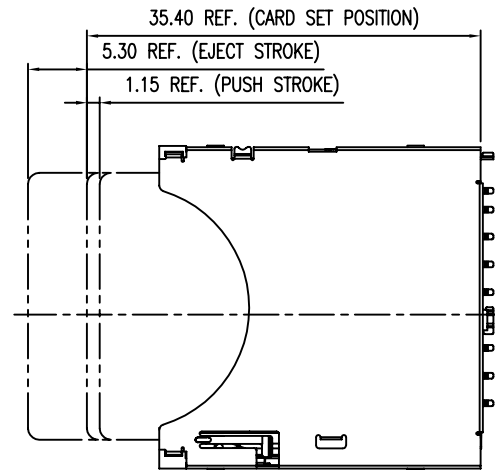
CUSTOMER DRAWING

REVISIONS				
SYM	ECN No.	DESCRIPTION	DATE	APPROVED
A		RELEASE FOR Sony GP	01/30/2007	HC Liu

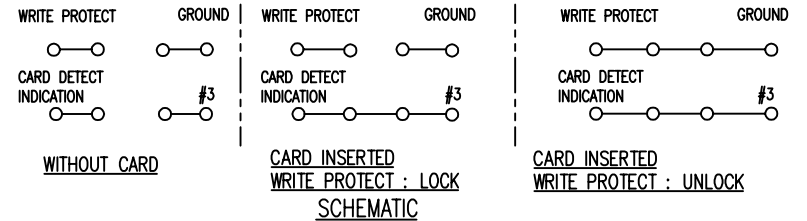
ORIGINAL



PIN NO.	SD	MMC
P1	MMC-DAT SD-DAT3	1P 7P
P2	MMC-CMD SD-CMD	2P 2P
P3	MMC-VSS1 SD-VSS1	3P 3P
P4	MMC-VDD SD-VDD	4P 4P
P5	MMC-CLK SD-CLK	5P 5P
P6	MMC-VSS2 SD-VSS2	6P 6P
P7	MMC-DAT SD-DATO	7P 1P
P8	SD-DAT1	8P
P9	SD-DAT2	9P



VIEW OF INSERTED CARD



NOTES:

- INSULATOR: LCP, UL 94V-0, COLOR- BLACK
- CONTACT: PHOSPHOR BRONZE, 15? GOLD PLATED ON CONTACT AREA, 160? TIN PLATED ON SOLDER TAIL
- GROUND: PHOSPHOR BRONZE, 160? TIN PLATED
- SHELL: STAINLESS
- THIS PRODUCT DOESN'T CONTAIN ENVIRONMENTAL HAZARDOUS PER MATERIAL SPECIFICATION SS-00259 FOR SONY GP.
- ▲ ARE CRITICAL DIMENSIONS

TOLERANCE	APPROVALS	DATE	TITLE	Amphenol®	
x. ±0.50	DRAWN XL Wu	01/30/07	GSD SERIES	Amphenol Corporation Amphenol Taiwan Corporation	
x.x ±0.30	CHECKED Sondra Sang	01/30/07	SD CARD CONNECTOR		
x.xx ±0.20	APPROVED HC Liu	01/30/07	SMT TYPE, 9 POSITIONS		
x.xxx ±0.10			PUSH-PUSH TYPE	SCALE N.A.	SHEET 1 OF 1
ANGULAR ±2°				DRAWING NO. OTHER-GSD09002SEU-29	REV. A
UNLESS OTHERWISE SPECIFIED	UNIT MM	SIZE A4	PART NO. GSD 09 002 SEU		