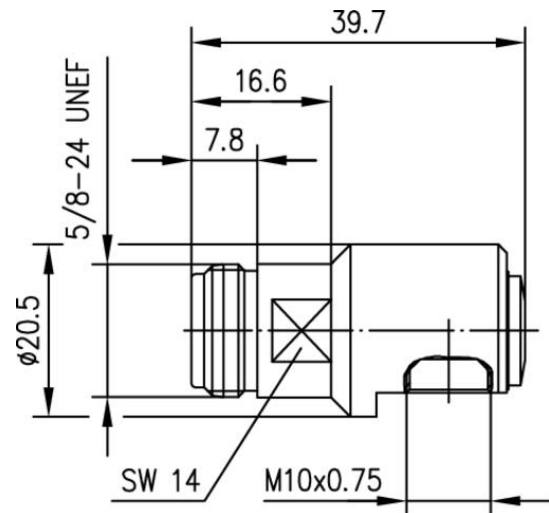
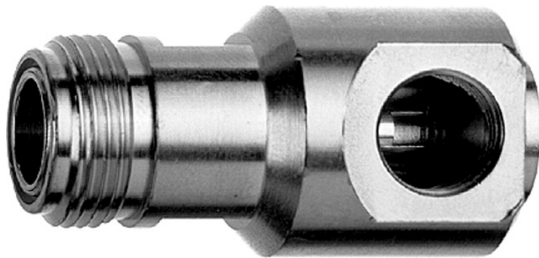


order number: J01021B0104

N-Combination Jack



Technical Attributes	
Z	50 Ω
Series	N
Finish	Telealloy (white bronze)

Product description

RF-Combination connectors of different connector series can be assembled as either straight or angle versions by using the corresponding clamps. With only one combination connector and the different cable clamps, a variety of connectors can be produced allowing a reduction in stock-levels. The technical specifications can be obtained from the descriptions in the respective chapters for each series.