

# HC-K 6/0-ESTS - Contact insert



1580538

<https://www.phoenixcontact.com/us/products/1580538>

Please be informed that the data shown in this PDF document is generated from our Online Catalog. Please find the complete data in the user documentation. Our General Terms of Use for Downloads are valid.



Pin contact insert with screw connection, number of positions 6 + PE, for HEAVYCON housing designs B16 and B32, incl. 1 x PE connection for 16 mm<sup>2</sup>

## Commercial Data

Item number	1580538
Packing unit	1 pc
Minimum order quantity	1 pc
Sales Key	BF61
Product Key	BF7ABA
Catalog Page	Page 563 (C-2-2019)
GTIN	4046356463348
Weight per Piece (including packing)	151.4 g
Weight per Piece (excluding packing)	151.4 g
Customs tariff number	85366990
Country of origin	DE

# HC-K 6/0-ESTS - Contact insert



1580538

<https://www.phoenixcontact.com/us/products/1580538>

## Technical Data

### Notes

General	For HEAVYCON ADVANCE and HEAVYCON housing type B16/B32; screw head shape of connection screws: Allen screws, wrench size 3 mm.
General	Connectors may be operated only when there is no load/voltage.
General	Flexible conductors may be used without ferrules as long as they comply with IEC 60228 Class 1 ... 5.

### Mounting

Assembly instructions	To ensure correct use, installation in housing with IP54 protection or better is required For housing type B16.
-----------------------	--

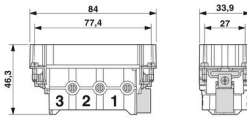
### Product properties

Type	B16 B32
Product type	Contact insert with a fixed no. of positions
Number of positions	6
Connection profile	6+PE
Contact numbering	1 - 6
Application	Power
No. of power contacts	6
No. of control contacts	0
Contact type	turned
Series	HC-K

### Insulation characteristics

Overvoltage category	III
Degree of pollution	3

### Dimensions

Dimensional drawing	
Width	33.9 mm
Height	46.3 mm
Length	84 mm
Drill hole distance, horizontal	77.4 mm

### Mechanical characteristics

Contact diameter	6 mm
------------------	------

# HC-K 6/0-ESTS - Contact insert



1580538

<https://www.phoenixcontact.com/us/products/1580538>

## Connection data

### Connection technology

Connection technology	Screw connection (without wire protection)
Connection in acc. with standard	IEC / EN

### Conductor connection

Conductor cross section	6 mm <sup>2</sup> ... 16 mm <sup>2</sup> (without ferrule)
	2.5 mm <sup>2</sup> ... 16 mm <sup>2</sup> (with ferrule)
Connection cross section AWG	10 ... 6
Tightening torque	0.8 Nm ... 1.2 Nm (PE connection)
	0.5 Nm ... 0.8 Nm (Mounting screws for mounting in the HEAVYCON housing)
	1.8 Nm
Stripping length of the individual wire	15 mm

## Electrical properties

Rated voltage (III/3)	1000 V
Rated surge voltage	8 kV
	8 kV
Rated current	80 A

## Mechanical properties

### Mechanical data

Insertion/withdrawal cycles	≥ 500
-----------------------------	-------

## Material specifications

Flammability rating according to UL 94	V0
Contact material	Copper alloy
Contact surface material	Ag
Contact carrier material	PA
Material of contact surface, power contact	Ag
Standards/regulations	PA: Fire protection in rail vehicles - requirement sets R22, R23, and R24 acc. to DIN EN 45545-2 (Risk level HL1 - HL3)

## Environmental and real-life conditions

### Ambient conditions

Ambient temperature (operation)	-40 °C ... 125 °C (including heating up of contacts)
---------------------------------	--

## Standards and regulations

Constructional and testing regulations	DIN EN 61984
	DIN VDE 0110/02.79
	DIN VDE 0110-1/04.97
	IEC 60664-1, DIN IEC 60512

# HC-K 6/0-ESTS - Contact insert



1580538

<https://www.phoenixcontact.com/us/products/1580538>

Tests	
	DIN EN 61984
	DIN VDE 0110/02.79
	DIN VDE 0110-1/04.97
	IEC 60664-1, DIN IEC 60512

Testing	
Standards/regulations	PA: Fire protection in rail vehicles - requirement sets R22, R23, and R24 acc. to DIN EN 45545-2 (Risk level HL1 - HL3)

# HC-K 6/0-ESTS - Contact insert

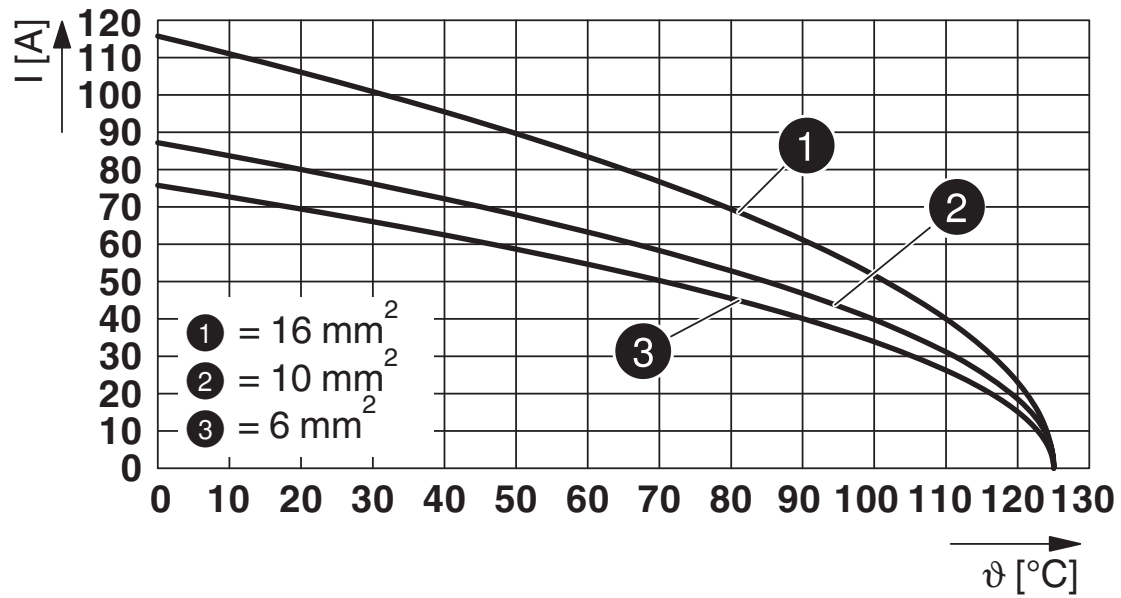


1580538

<https://www.phoenixcontact.com/us/products/1580538>

## Drawings

Diagram



Derating diagram

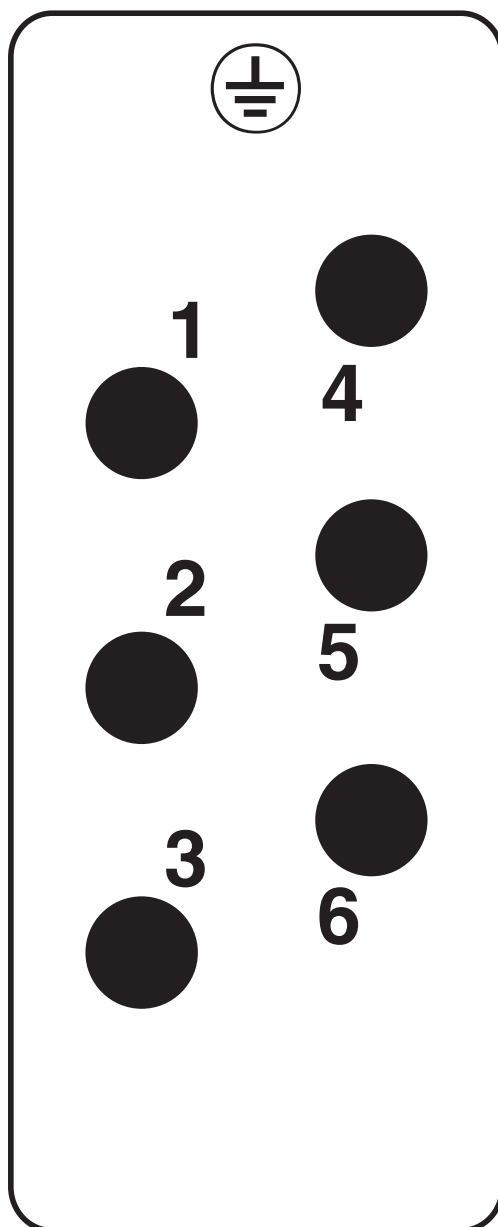
# HC-K 6/0-ESTS - Contact insert

1580538

<https://www.phoenixcontact.com/us/products/1580538>



Schematic diagram



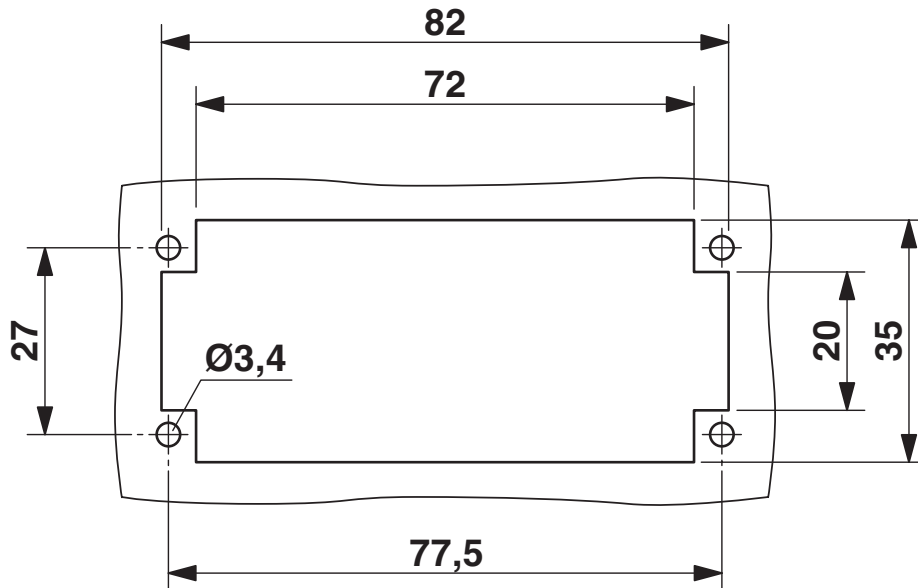
Connector pin assignment, connection side

# HC-K 6/0-ESTS - Contact insert

1580538

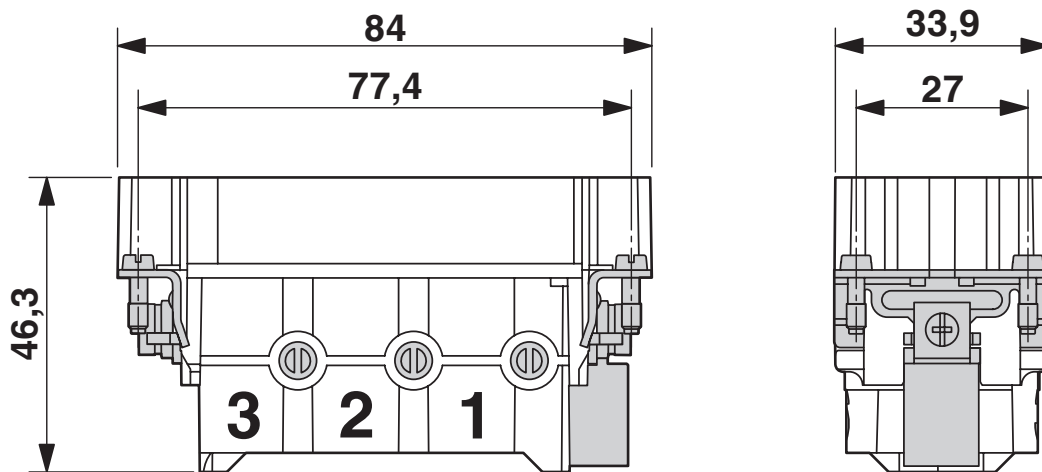
<https://www.phoenixcontact.com/us/products/1580538>

Dimensional drawing



Mounting cutout when used without housing

Dimensional drawing



Dimensional drawing

# HC-K 6/0-ESTS - Contact insert



1580538

<https://www.phoenixcontact.com/us/products/1580538>

## Approvals

 <b>CSA</b> Approval ID: 013631_0_000				
	Nominal Voltage $U_N$	Nominal Current $I_N$	Cross Section AWG	Cross Section $\text{mm}^2$
	600 V	60 A	10 - 6	-

 <b>UL Recognized</b> Approval ID: FILE E 118976				
	Nominal Voltage $U_N$	Nominal Current $I_N$	Cross Section AWG	Cross Section $\text{mm}^2$
	600 V	80 A	- 6	-

 <b>EAC</b> Approval ID: RU C-DE.AI30.B.01102				
---	--	--	--	--

 <b>EAC</b> Approval ID: RU C-DE.BL08.B.00511				
---	--	--	--	--

# HC-K 6/0-ESTS - Contact insert



1580538

<https://www.phoenixcontact.com/us/products/1580538>

## Classifications

### ECLASS

ECLASS-11.0	27440205
ECLASS-12.0	27440205
ECLASS-13.0	27440205

### ETIM

ETIM 8.0	EC000438
----------	----------

### UNSPSC

UNSPSC 21.0	39121500
-------------	----------

# HC-K 6/0-ESTS - Contact insert

1580538

<https://www.phoenixcontact.com/us/products/1580538>



## Environmental Product Compliance

REACH SVHC	Lead 7439-92-1
China RoHS	Environmentally Friendly Use Period = 50 years
	For information on hazardous substances, refer to the manufacturer's declaration available under "Downloads"

# HC-K 6/0-ESTS - Contact insert

1580538

<https://www.phoenixcontact.com/us/products/1580538>

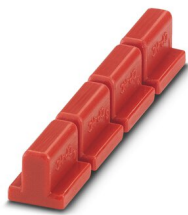


## Accessories

### CP-HC - Coding profile

1686478

<https://www.phoenixcontact.com/us/products/1686478>



Coding profile, 4 coding profiles per strip, for insertion in coding keyways

---

### HC-CB - Coding bolt

1772722

<https://www.phoenixcontact.com/us/products/1772722>



Coding pin, prevents mismatching of up to six connectors with an identical number of positions

# HC-K 6/0-ESTS - Contact insert

1580538

<https://www.phoenixcontact.com/us/products/1580538>



## HC-CST - Coding element

1676857

<https://www.phoenixcontact.com/us/products/1676857>



Coding peg for coding up to 16 connectors

---

## HC-CBU - Coding element

1676860

<https://www.phoenixcontact.com/us/products/1676860>



Coding socket for coding up to 16 connectors

# HC-K 6/0-ESTS - Contact insert

1580538

<https://www.phoenixcontact.com/us/products/1580538>



## HC-K 6/0-EBUS - Contact insert

1580537

<https://www.phoenixcontact.com/us/products/1580537>



Socket contact insert with screw connection, number of positions 6 + PE, for HEAVYCON housing designs B16 and B32, incl. 1 x PE connection for 16 mm<sup>2</sup>

---

Phoenix Contact 2023 © - all rights reserved

<https://www.phoenixcontact.com>

Phoenix Contact USA  
586 Fulling Mill Road  
Middletown, PA 17057, United States  
(+717) 944-1300  
[info@phoenixcon.com](mailto:info@phoenixcon.com)