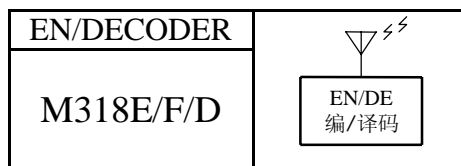




3¹⁸ CODES

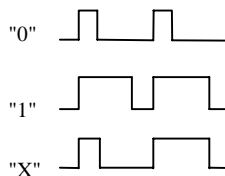
3 态 387,420,489 码
可单键发射



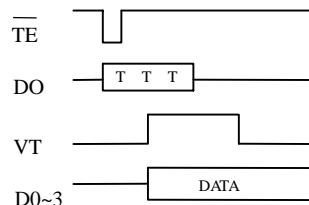
FEATURES 功能叙述

- Built-in 18 address states.
- Built-in IR carrier — suffix-IR.
- Momentary DATA — suffix-M.
- Internal code A0~A7 1 0 1 1 1 0 A8~A11.
- Package : DIP / S.O..

BIT FORMAT



PROTOCOL



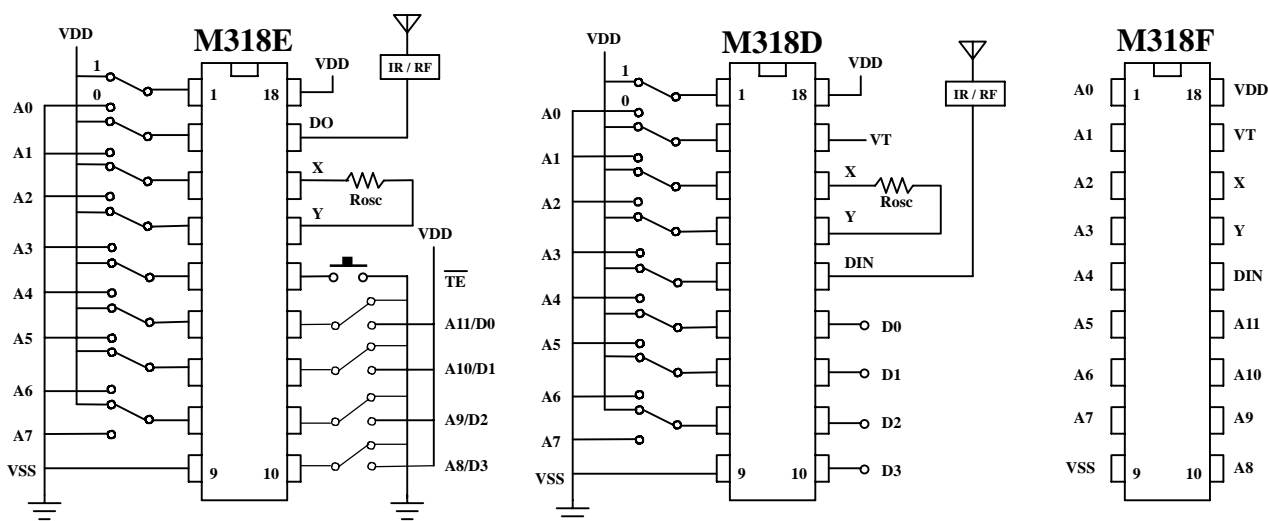
APPLICATION 产品应用

- Security alarm, Remote control. 防盗系统, 任何遥控装置.

ELECTRICAL CHARACTERISTICS 电气规格

Characteristics	Sym.	Min.	Typ.	Max.	Unit	REMARKS
工作电压 Operating Voltage	V _{DD}	2.4	—	13	V	M318E
工作电压 Operating Voltage	V _{DD}	2	4.5	5	V	M318F/D
工作电流 Operating Current	I _{OP}	—	0.3	1	mA	No load
静态电流 Quiescent Current	I _{SB}	—	1	10	μ A	
推动电流 Driving Current	I _{OL}	—	2	—	mA	@ V _{DS} =1.2V
振荡频率 Oscillator Frequency	F _{OSC}	—	76	—	KHz	External ± 30%
工作温度 Operating Temperature	Temp.	-20	25	75	°C	

APPLICATION DIAGRAM 参考电路图



*All specs and applications shown above subject to change without prior notice.

(以上电路及规格仅供参考,本公司得径行修正)