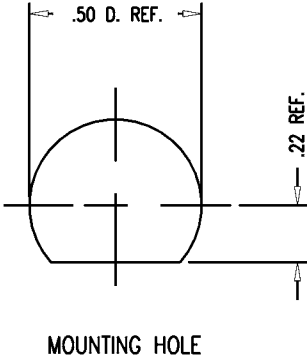
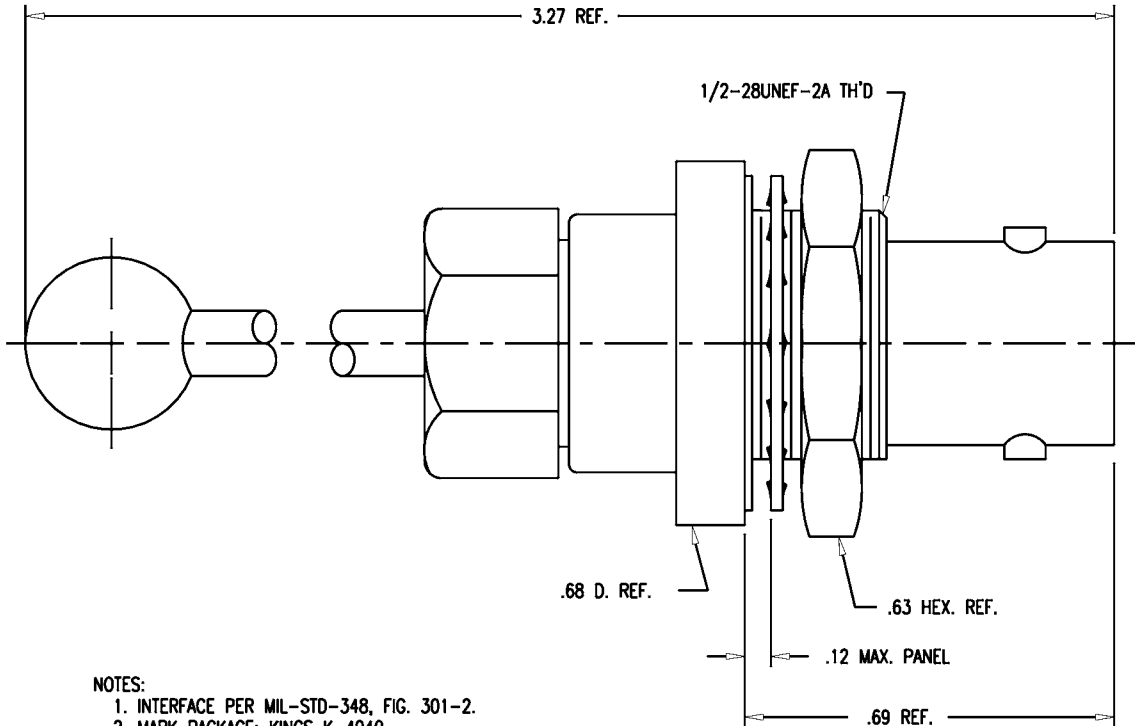


GSD

K-4940



REVISIONS	
ISSUE	CHANGES
0	ER 34572 JCA 04/21/93

JCA3763

SCALE 4:1	
APPROX SURFACE AREA	
USED ON	
REF:	
JACK, BULKHEAD, BNC, MOUNTED ANTENNA	
DRAWN JCA	DATE 04/21/93
DESIGN LI	DATE 04/22/93
APPR.	DATE
 ELECTRONICS CO., INC. TUCKAHOE, NEW YORK 10707	

- NOTES:
1. INTERFACE PER MIL-STD-348, FIG. 301-2.
 2. MARK PACKAGE: KINGS K-4940
 3. MATERIALS:
 INSULATORS: TEFLON, ASTM-D-1457
 LOCKWASHER: PHOSPHOR BRONZE, QQ-B-750
 GASKET: SILICONE RUBBER, ZZ-R-765
 CENTER CONTACT F: BER. COPPER, ASTM-B-196
 ALL OTHER METAL PARTS: BRASS, ASTM-B16
 4. FINISHES:
 ALL METAL PARTS: KINGS TARNISH RESISTANT FINISH (TR-5)
 5. ELECTRICAL CHARACTERISTICS:
 NOMINAL IMPEDANCE: 50 OHMS
 WORKING VOLTAGE: 500 VRMS
 FREQUENCY RANGE: DC TO 4 GHz

GSD

K-4940