



Raychem

TE Internal #: 2813813003

Hook Up Wire, Spec 44, 300V Voltage Rating, Black Wire Color, 20AWG Wire Size, .52mm² Wire Size, Operating Temperature Range -65 – 125 °C

[View on TE.com >](#)

Wire & Cable > Hook Up Wire



Cable Type: **Spec 44**

Voltage Rating: **300 V**

Wire Color: **Black**

Insulation Material: **Radiation-Crosslinked, Extruded Polyalkene**

Conductor Material: **Tin-Coated Copper**

Features

Product Type Features

Cable Style	Primary
Product Type	Wire
Product Classification	High Performance - Spec 44, 55 & RCW
Cable Type	Spec 44

Configuration Features

Number of Conductors	1
----------------------	---

Electrical Characteristics

Voltage Rating	300 V
----------------	-------

Body Features

Wire Color	Black
Insulation Material	Radiation-Crosslinked, Extruded Polyalkene
Conductor Material	Tin-Coated Copper

Dimensions

Overall Outside Diameter	1.35 mm[.0531 in]
Wire Diameter	1.35 mm[.053 in]
Conductor Diameter	.96 mm[.0378 in]
Wire Size	.52 mm ²

Usage Conditions

Operating Temperature Range	-65 – 125 °C
-----------------------------	--------------

Other

Wire Source	United Kingdom
-------------	----------------

Product Compliance

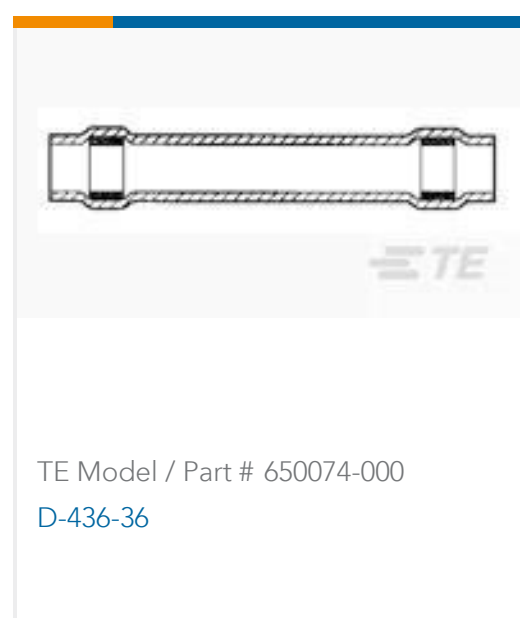
[For compliance documentation, visit the product page on TE.com>](#)

EU RoHS Directive 2011/65/EU	Compliant
EU ELV Directive 2000/53/EC	Compliant
China RoHS 2 Directive MIIT Order No 32, 2016	No Restricted Materials Above Threshold
EU REACH Regulation (EC) No. 1907/2006	Current ECHA Candidate List: JUN 2020 (209) Candidate List Declared Against: JUN 2020 (209) Does not contain REACH SVHC
Halogen Content	Out of Scope - excluded from Halogen requirements
Solder Process Capability	Not applicable for solder process capability

Product Compliance Disclaimer

This information is provided based on reasonable inquiry of our suppliers and represents our current actual knowledge based on the information they provided. This information is subject to change. The part numbers that TE has identified as EU RoHS compliant have a maximum concentration of 0.1% by weight in homogenous materials for lead, hexavalent chromium, mercury, PBB, PBDE, DBP, BBP, DEHP, DIBP, and 0.01% for cadmium, or qualify for an exemption to these limits as defined in the Annexes of Directive 2011/65/EU (RoHS2). Finished electrical and electronic equipment products will be CE marked as required by Directive 2011/65/EU. Components may not be CE marked. Additionally, the part numbers that TE has identified as EU ELV compliant have a maximum concentration of 0.1% by weight in homogenous materials for lead, hexavalent chromium, and mercury, and 0.01% for cadmium, or qualify for an exemption to these limits as defined in the Annexes of Directive 2000/53/EC (ELV). Regarding the REACH Regulation, the information TE provides on SVHC in articles for this part number is based on the latest European Chemicals Agency (ECHA) 'Guidance on requirements for substances in articles' posted at this URL: <https://echa.europa.eu/guidance-documents/guidance-on-reach>

Compatible Parts



Customers Also Bought



TE Model / Part #2-1623719-2
CCR1 4R7 10% TAPED



TE Model / Part #ZPF00000000018982
FDDBA 54-18-32 SN-K-A1198



TE Model / Part #2818583002
44/7031-24-3



TE Model / Part #2816983004
44/7031-24-6



TE Model / Part #2800313002
44/7031-20-2



TE Model / Part #ZPF00000000001986
182-0459-20



TE Model / Part #386687-000
44A1131-16-3/6/9-9



TE Model / Part #382523-000
44A1131-22-3/6/9-9



TE Model / Part #ZPF000000000097712
FDDBA 54-10-6 SW-K 090 A499



TE Model / Part #ZPF000000000099490
FDDBA 54-12-3 SN-K 090 A499

Documents

Product Drawings

[44/7031-20-0](#)

English

Datasheets & Catalog Pages

[1654025_Sec9_SPEC44](#)

English

[Raychem Wire and Cable Quick Reference Guide](#)

English