



Home

About Us

Products

Brand Value

News

Recruitment

Contact Us



Please enter U&T part number for

Popular Searches: [UTH20C01](#) [UTH16P05](#) [UTG18T01](#) [UTG96T01](#) [UTT24C01](#)

Products List

100 Base-T

1000 Base-T

2.5/5/10G Base-T

→ 2.5G Base-T

→ 2.5G

→ 2.5G POE

→ 2.5G UPOE

→ 5G Base-T

→ 10G Base-T

Your present location: [Home](#) >> [2.5/5/10G Base-T](#) >> [2.5G Base-T](#) >> [2.5G POE](#) >> [UTV24C01P](#)



Name: UTV24C01P

No.: [UTV24C01P](#)

Views : 43



[Browse similar products](#)

Next : [UTV48C01P](#)

Details



2.5G BASE-T PoE PLUS SINGLE PORT MAGNETICS MODULE

P/N: UTV24C01P DATA SHEET

Page : 1/1

Feature

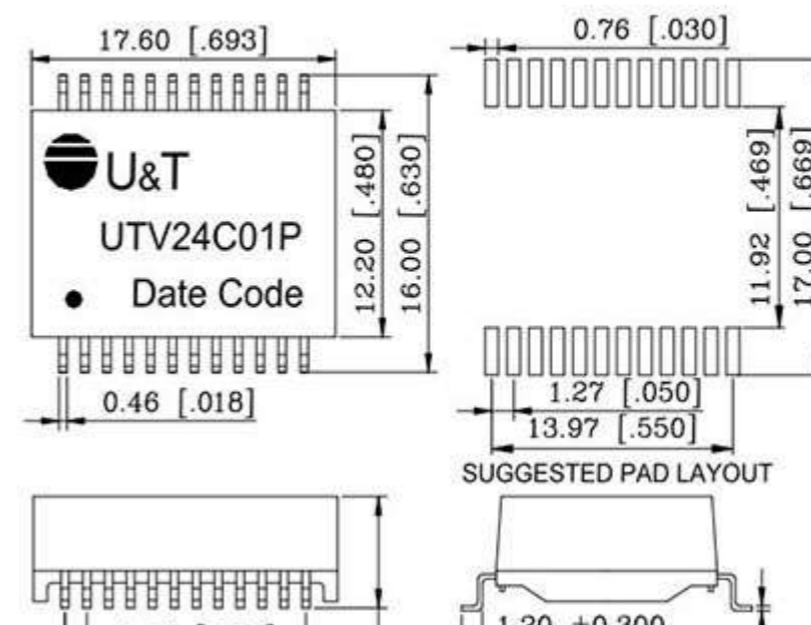
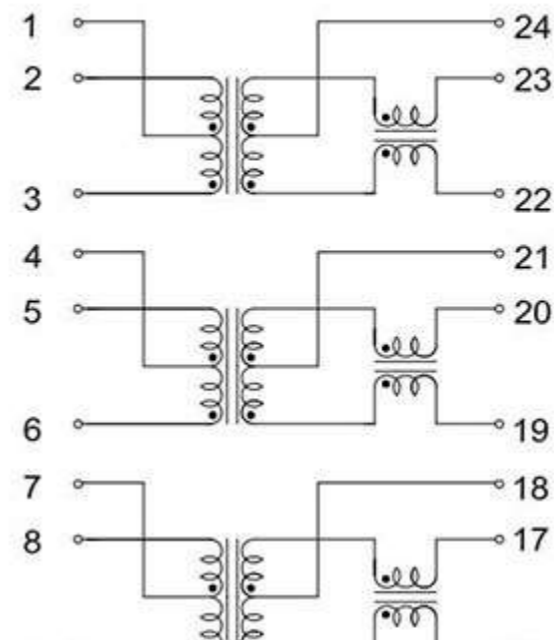
- DC Line DC current 720mA capability
- Comply with RoHS requirements.
- Operating temperature range: 0°C to +70°C.
- Storage temperature range: 0°C to +85°C.

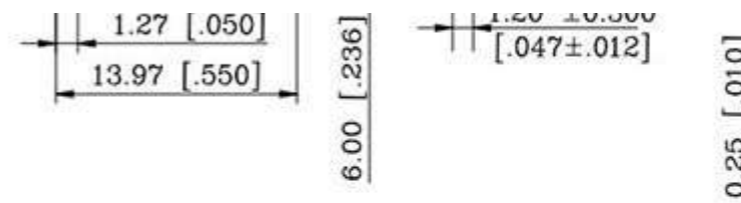
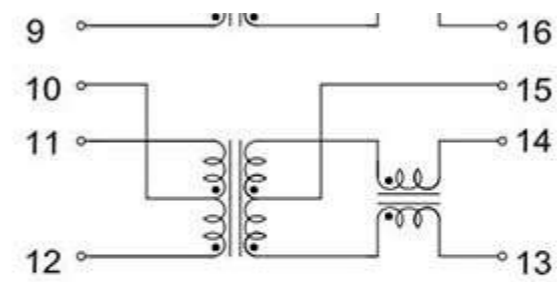
Electrical Specifications @ 25°C

OCL:	180uH Min. @100KHz/0.1V with 8mA DC Bias
Hi-POT :	1500Vrms
Turn Ratio:	1:1±3%
D.C.R:	1.0 ohm Max
Insertion Loss:	1.0dB Max@1-100MHz
	1.5dB Max@125MHz
Cross Talk :	30dB Min@1-125MHz
DM-CM Rejection	35dB Min@1-125MHz
CM-CM Rejection	30dB Min@1-200MHz
Return Loss:	18dB Min @1-40MHz
	18-15log(f/40MHz)dB Min@40-200MHz

Schematic

Mechanical





2. Coplanarity: 0.1 [.004]

3. Unit mm[inch]

[Http://www.utlimited.com](http://www.utlimited.com)

E-mail: sales@utlimited.com

Tel: +86-752-2761008

Fax: +86-752-2761009

Key words :

LINK:

U&T HL TECHNOLOGY GROUP LIMITED



ADD: Honglin Industrial Park, Dongjiang Hi-tech Zone, Huicheng District, Huizhou City, Guangdong Province, P.R.C.
 Zip Code: 516000
 TEL: 0752-2761008
 FAX: 0752-2761009
 Email: sales@utlimited.com

About Us

- Company Profile
- Development
- Company Culture
- Enterprise Honor

Products

- 2.5&5&10G Base-T
- 100 Base-T
- 1000 Base-T

Brand Value

- R & D Advantage
- Advantages
- Quality
- Certification

News

- Company News
- Industry Information

Recruitment

- Positions

Contact

- Contact Us
- Map
- Messages