

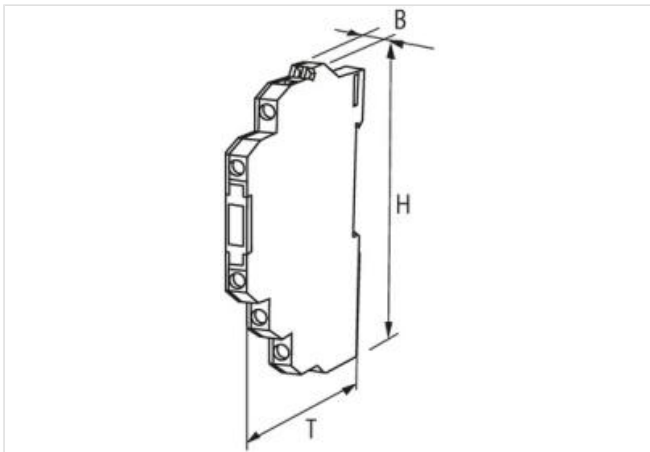
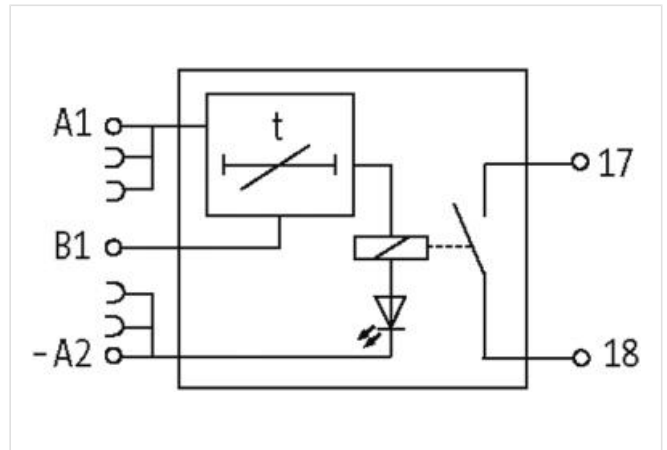
Miro 6,2 Timer Off-delay max.0,1-10 sec.

MIRO 6.2 TIMER OFF-DELAY

Relay output
 Switch-off delay: 0.1...10 s
 Screw terminals
 safe separation (EN 60947-1)

[Link to Product](#)

Illustration



Product may differ from Image



Commercial data

ECLASS-6.0	27210990
ECLASS-6.1	27371790
ECLASS-7.0	27371790
ECLASS-8.0	27371605
ECLASS-9.0	27371605
ECLASS-10.1	27371605

ECLASS-11.1	27371605
ECLASS-12.0	27371605
ETIM-5.0	EC001439
customs tariff number	85364900
GTIN	4048879026987
Packaging unit	1
Electrical data Input	
Input voltage DC	24 V
Input voltage DC min.	20,4 V
Input voltage DC max.	26,4 V
Input current	20 mA
Input current DC max.	15 mA
Control voltage DC	24 V
Control voltage DC min.	20,4 V
Control voltage DC max.	26,4 V
Control current	5 mA
Electrical data Output	
Output voltage adjustable	no
Output current max.	6 A
Utilization category DC-13 (EN IEC 60947-5-1)	1 A @ 24 V, 0,2 A @ 110 V, 0,1 A @ 230 V
Switching frequency max.	10 Hz
Power rating AC max.	1500 VA
Power rating DC max.	120 W
Switching voltage AC max.	240 V
Switching voltage DC max.	240 V
Current switching DC	100 mA
Device protection	
Condition lifetime	load-dependent
Device protection Electrical	
Rated surge voltage	4 kV
Electrical lifetime	20000000 Cycles
Device protection Mechanical	
Mechanical endurance	20000000 Cycles
Mechanical data	
Drop-out time max.	15 ms
Response time max.	10 ms
Bounce time max.	1,5 ms
Mechanical data Material data	
Material contact	Ag Sn O2
Mechanical data Mounting data	
Mounting method	geschnappt
Suitable for mounting type	(EN 60715), mounting rail
Height	91 mm
Width	6,2 mm
Depth	71 mm
Environmental characteristics Climatic	
Operating temperature min.	0 °C
Operating temperature max.	55 °C
Connection type 5	
Connection	Screw terminals SK

Family construction form	terminal
Gender	female
Color contact carrier	green
No. of poles	1
PIN 1	+ A 1
Connection	Screw terminals SK
Family construction form	terminal
Gender	female
Color contact carrier	green
No. of poles	1
PIN 1	18
Connection	Screw terminals SK
Family construction form	terminal
Gender	female
Color contact carrier	green
No. of poles	1
PIN 1	17
Connection	Screw terminals SK
Family construction form	terminal
Gender	female
Color contact carrier	green
No. of poles	1
PIN 1	+ B 1
Connection	Screw terminals SK
Family construction form	terminal
Gender	female
Color contact carrier	green
No. of poles	1
PIN 1	- A 2