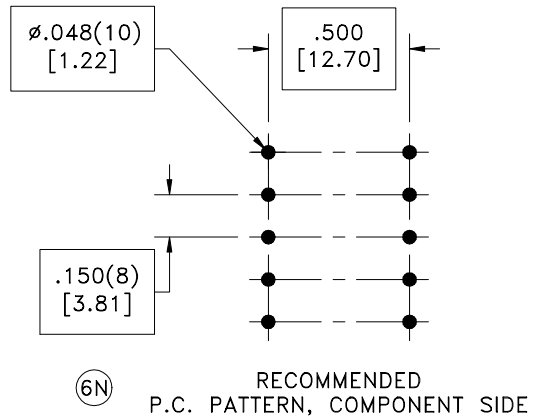
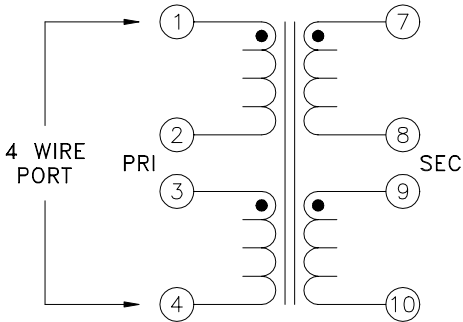
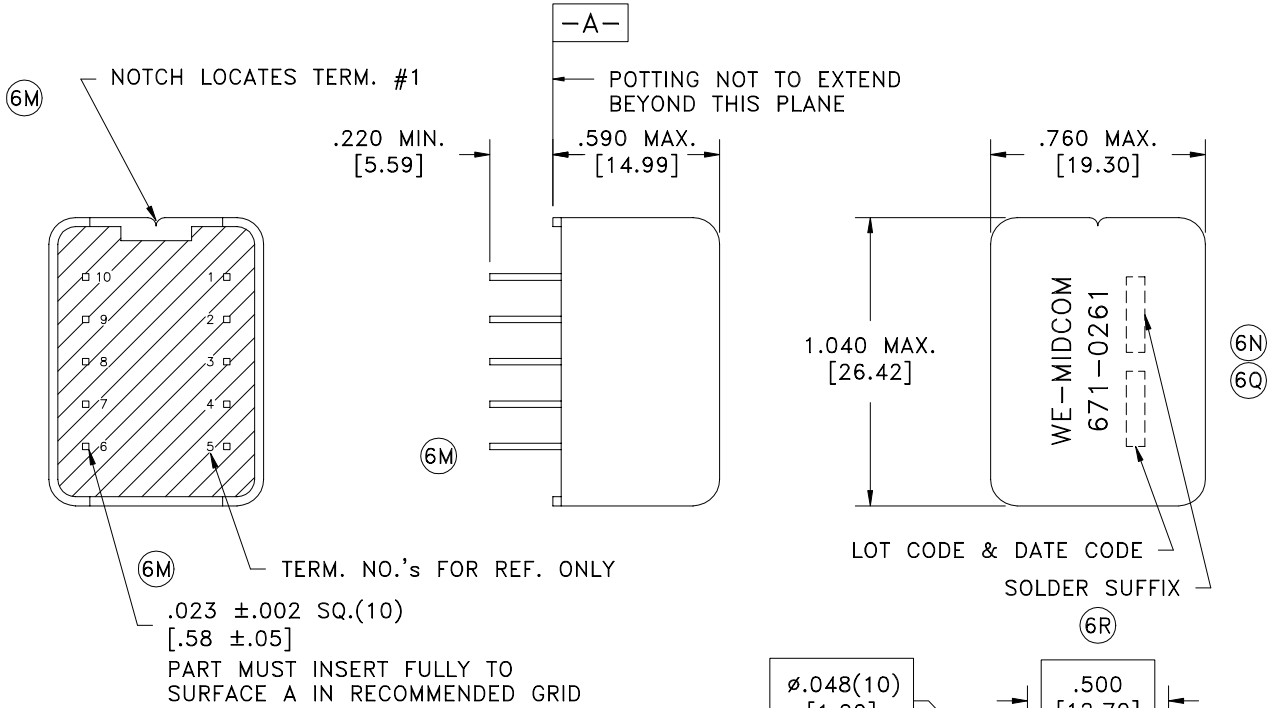


SOLDER SUFFIX	CUSTOMER TERMINAL	RoHS	LEAD(Pb)-FREE	(6R)
	Sn63%, Pb37%	No	No	
LF1	Sn96%, Ag4%	Yes	Yes	



**ELECTRICAL SPECIFICATIONS @ 25°C unless otherwise noted:**

IMPEDANCE: Designed to reflect 600 ohms on the PRI with 600 ohm load on SEC.

(6K) LONGITUDINAL BALANCE: 60dB min., 200k - 1kHz; 40dB min., 1kHz - 4kHz.

(6P) D.C. RESISTANCE (@20°C): 1-2, 23.7 ohms max. 7-8, 24.0 ohms max.  
3-4, 23.7 ohms max. 9-10, 24.0 ohms max.

FREQUENCY RESPONSE: ±0.5dB, 300 - 4000Hz.

INSERTION LOSS: 4.0dB (Hybrid connected).

(6K) DIELECTRIC RATING: 1250VAC for 1 second between PRI-SEC.

D.C. UNBALANCE: 0mA.

RETURN LOSS: 26dB min., 2 wire port vs. 600 ohm.

TRANS HYBRID LOSS: 50dB min.

Midcom p/n 671-0261-LF1 is eiSos p/n: 7500710261

Unless otherwise specified:  
Tolerances:  
Angles: ±1°  
Fractions: ±1/64  
Decimals: ±.005[.13]

DRAWING TITLE

**TRANSFORMER  
DUAL HYBRID**

eiSos p/n: 7500710261 (6R)

REVISIONS: SEE SHEET 1

Midcom   
www.midcom-inc.com

DRAWING NO.

**671-0261/-LF1**

SCALE ---

REV. (6R)

6R  
7/07

SHEET 2 OF 5

DWG # 671-0261/-LF1