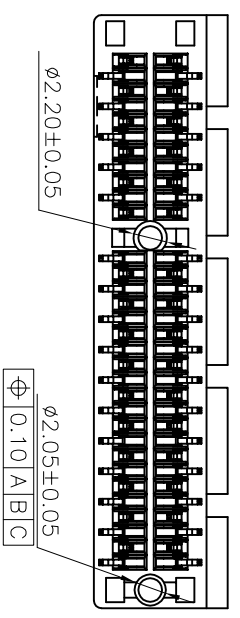
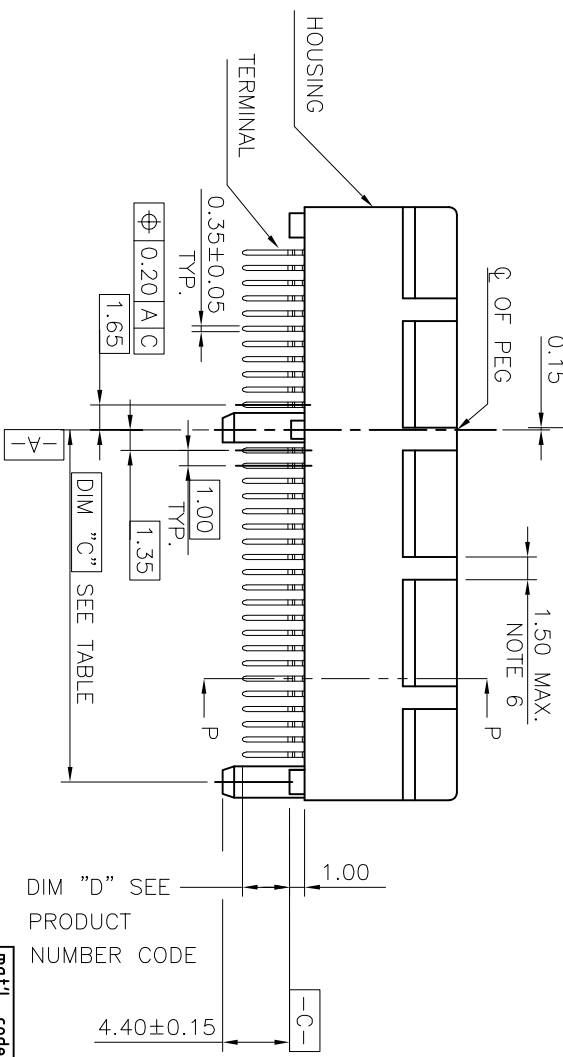
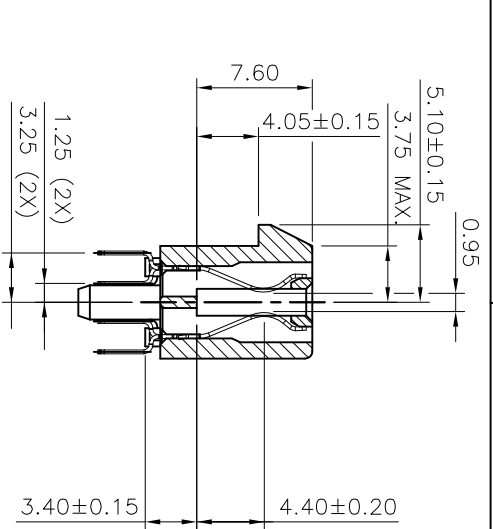
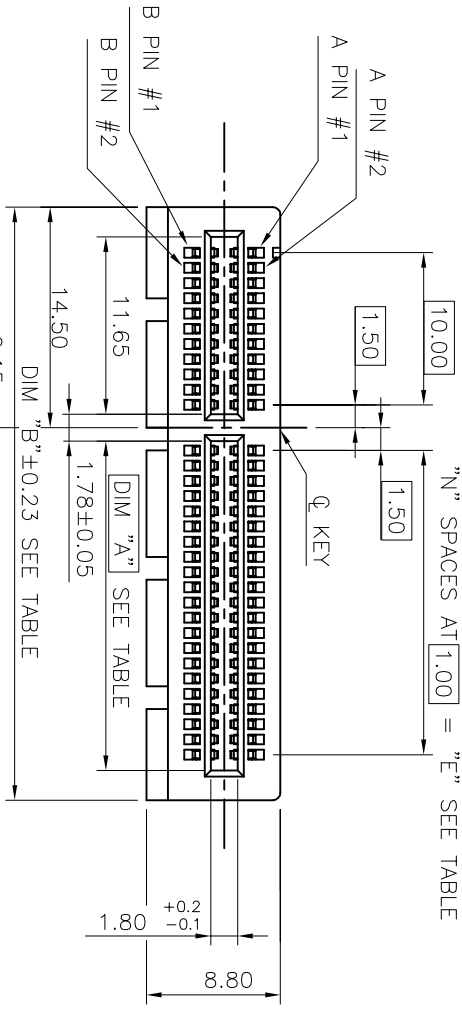


PRODUCT NO.  
10018783-XXXXXX



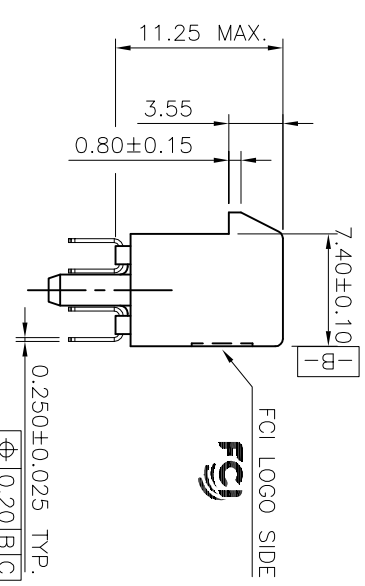
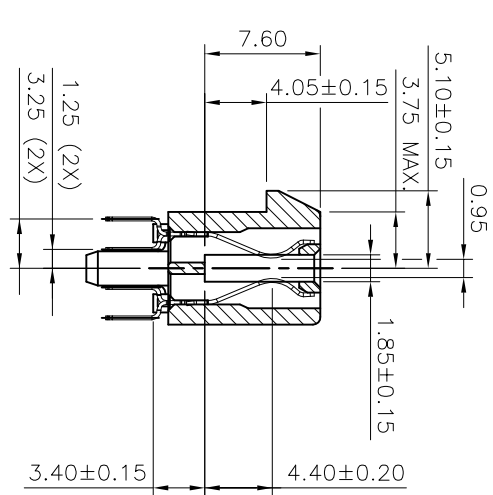
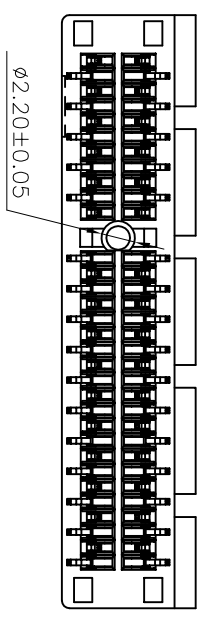
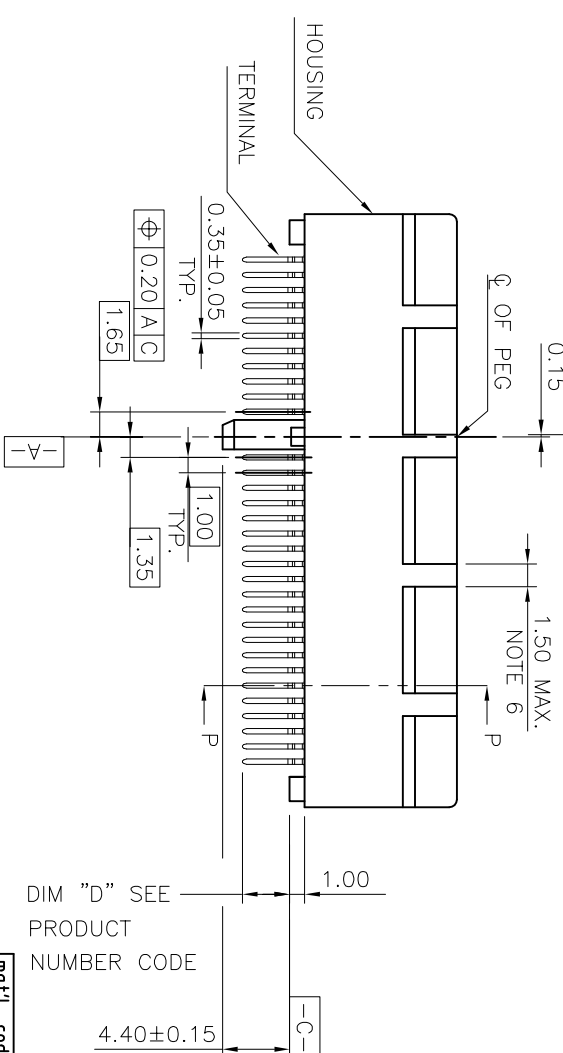
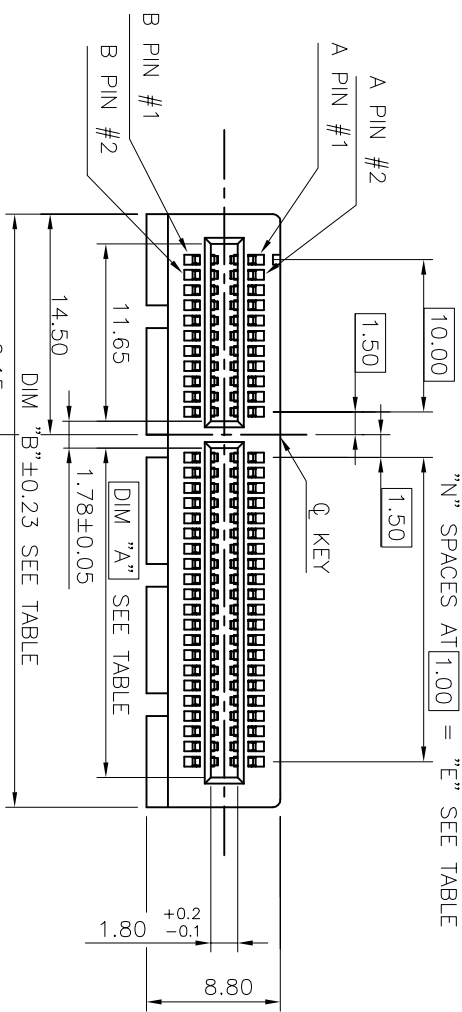
# TWIN PLASTIC PEG TYPE

DIM "D" SEE PRODUCT NUMBER CODE

mat'l. code	surface 38	tolerance	projection	product family	EDGE CARD						
T	T05-0208M-W	09/15/05	X±0.30	PCI EXPRESS GEN3							
U	T10-0007J-H	1/20/10	XX±0.20	CARD EDGE ASSY							
V	EX-06-1831 S-T	07/16/14	O±Z								
W	EX-06-2009 S-T	01/23/15	.XXX±0.10								
				Stone Li	01/13/15						
				engr							
				chr							
				apdd Collins Lu	01/13/15						
sheet index	revision	1	2	3	4	5	6	7			

scale 2:1  
 title  
 PCI EXPRESS GEN3  
 CARD EDGE ASSY  
 sheet 1 of 7  
 size  
 A4

PRODUCT NO.  
10018783-X2XXXX

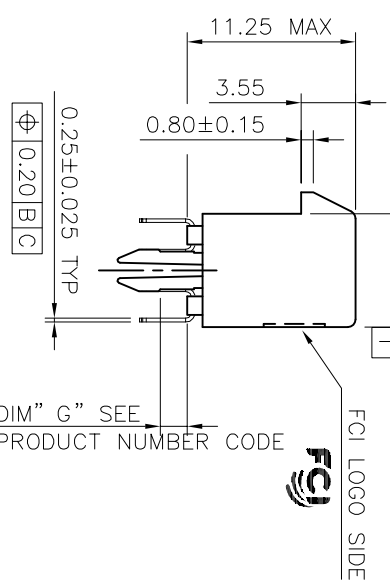
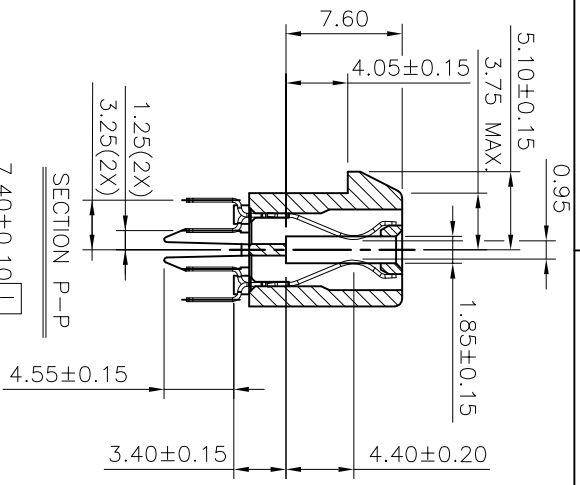
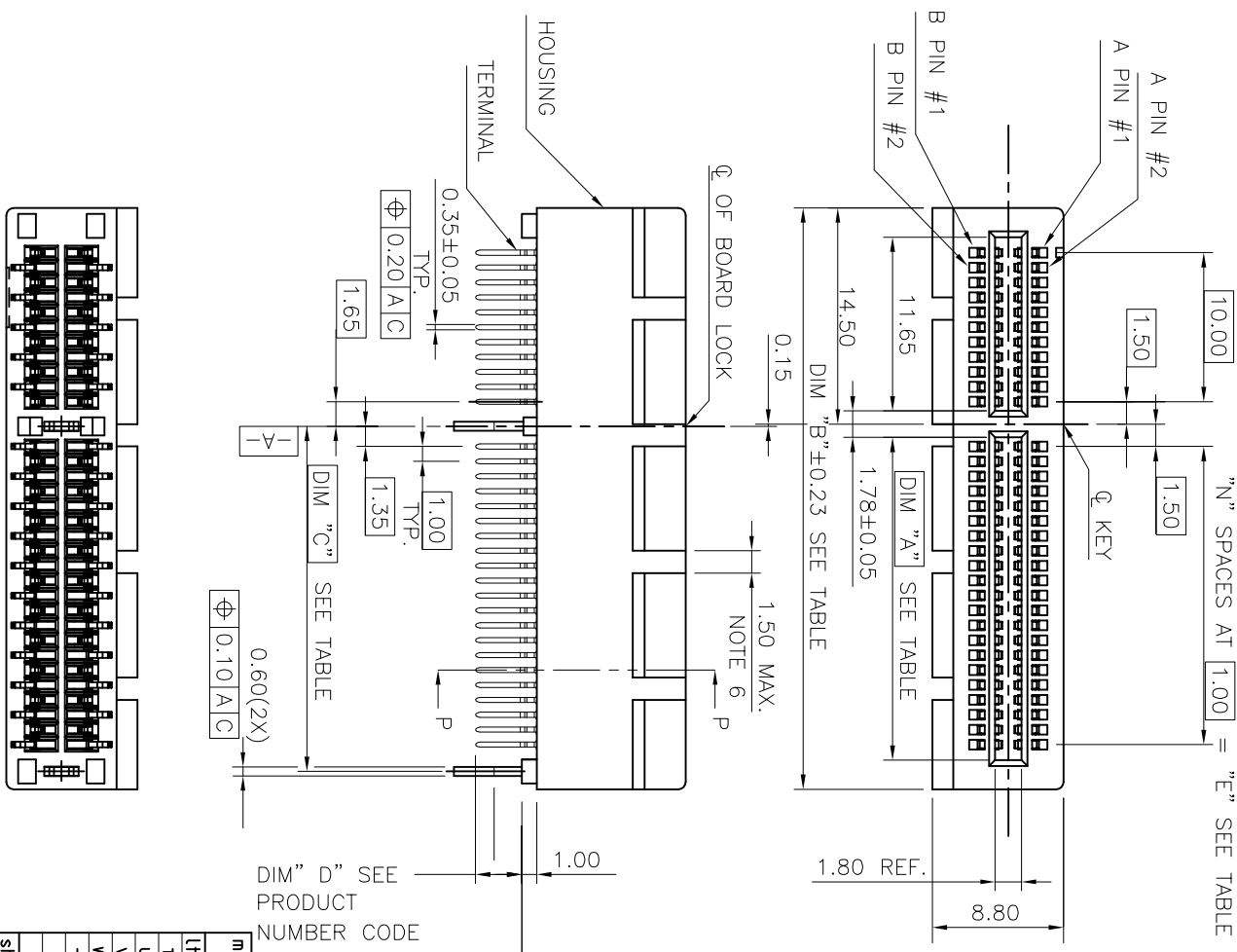


DIM "D" SEE PRODUCT NUMBER CODE

**SINGLE PLASTIC PEG TYPE**

mat'l. code		surface 38 tolerance		projection		product family	
tr	ecm no	dr	date	tolerances unless otherwise specified	MM	title	EDGE CARD
T	T05-0208	M-W	09/15/05	X±0.30	MM	PCI EXPRESS GEN3	
U	T10-0007	J-H	1/20/10	XX±0.20		CARD EDGE ASSY	
V	dx-06-1831	S-T	07/16/14	O±z	scale 2:1		
W	dx-06-2070	S-T	01/23/15	.XXX±0.10			
sheet index		revision	sheet	engr	Stone Li	01/13/15	
sheet index		revision	sheet	chr	Stone Li	01/13/15	
sheet index		revision	sheet	appd	Collins Lu	01/13/15	
						FCI	
						dwg no	10018783
						sheet 2 of 7	A4
						type	Customer Drawing

PRODUCT NO.  
10018783-X1XXXX



METAL BOARD LOCKS TYPE

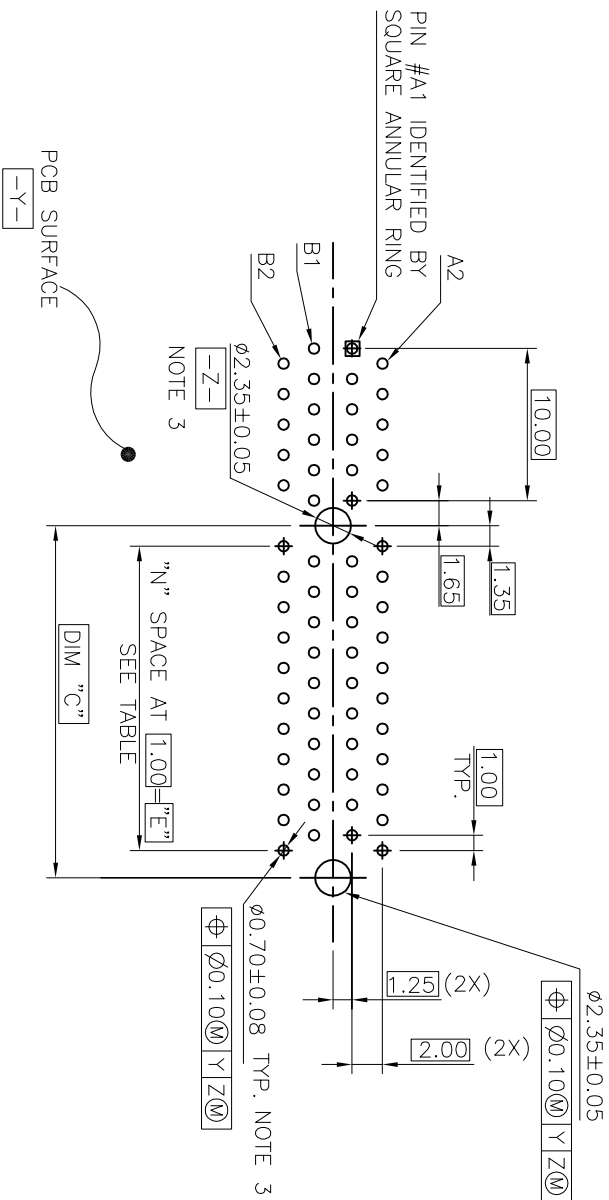
DIM "D" SEE PRODUCT NUMBER CODE

DIM "G" SEE PRODUCT NUMBER CODE

mat'l. code	surface Sg	tolerance	projection	product family
lfr	ecn no	dr	date	tolerances unless otherwise specified
T	T05-0208M-W	09/15/05		X±0.30
U	T10-0007 J-H	1/20/10		XX±0.20
V	EX-06-1631 S-T	07/16/14	C±Z	XXX±0.10
W	EX-06-2670 S-T	01/23/15	dr	Stone Li 01/13/15
-	-	-	engr	Stone Li 01/13/15
-	-	-	chr	/
-	-	-	appd	Collins Lu 01/13/15
sheet	revision			
index	sheet			

scale	title	product family
MM scale 2:1	PCI EXPRESS GEN3 CARD EDGE ASSY	EDGE CARD
dwg no	10018783	sheet 3 of 7 size
type	Customer Drawing	A4



RECOMMENDED FOOTPRINT

mat'l. code		surface 98 / tolerance		projection		product family	
lfr	ecm no	dr	date	tolerances unless otherwise specified	angles	scale	title
T	T05-0208M-W	09/15/05	1/20/10	X±0.30	0°±2'	MM	PCI EXPRESS GEN3
U	T10-0007 J-H	1/20/10		.XX±0.20			CARD EDGE ASSY
V	dx-06-18311 S-T	07/16/14		.XXX±0.10		scale 2:1	
W	dx-06-2070 S-T	01/23/15	01/13/15				sheet 4 of 7
							size
							A4
							Customer Drawing
Sheet Index	revision	sheet					



Copyright FCI

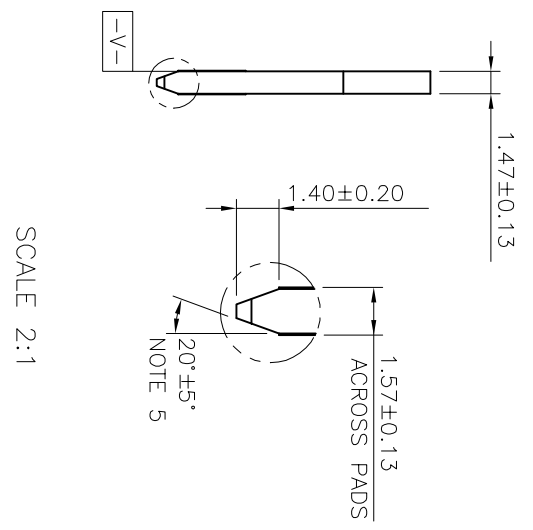
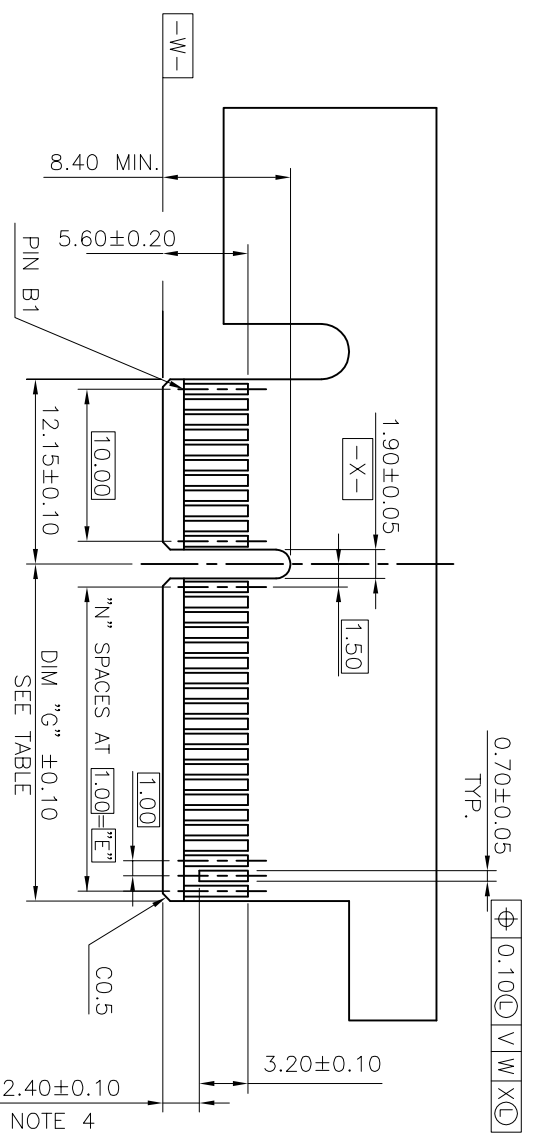


FCIconnect.com

1 | 2

3 |

4



SCALE 2:1

I/O PANEL DIRECTION  
PRIMARY (COMPONENT) SIDE

I/O PANEL DIRECTION  
SECONDARY (SOLDER) SIDE

# POS REF.	N	DIM "G"	"F"
36	6	8.15	B17
64	20	22.15	B31
98	37	39.15	B48
164	70	72.15	B81

PIN "F" SEE TABLE 2.40±0.10  
NOTE 4

PIN "F" SEE TABLE 2.40±0.10  
NOTE 4

ADD-IN CARD EDGE-FINGER DIMENSIONS

mat'l. code	surface 38	tolerance	projection	product family	EDGE CARD
1tr	ecm no	dr	date	tolerances unless otherwise specified	
T	T05-0208M-W	09/15/05		X±0.30	
U	T10-0007J-H	1/20/10		XX±0.20	
V	EX-06-1831 S-T	07/16/14		XXX±0.10	
W	EX-06-2000 S-T	01/23/15	dr	Stone Li	01/13/15
			engr	Stone Li	01/13/15
			chr	/	/
			appd	Collins Lu	01/13/15
sheet index	revision	sheet			



title  
PCI EXPRESS GEN3  
CARD EDGE ASSY

dwg no  
10018783

sheet 5 of 7  
size  
A4

Customer Drawing

form: AdmXlc

1 |

2 |

3 |

4



NOTES:

1. MATERIAL: HOUSING: HIGH TEMPERATURE NYLON, GLASS FILLED U194V-0 RATED. TERMINAL PLATING: COPPER ALLOY. PLATING: SEE PRODUCT NUMBER CODE METAL BOARD LOCKS: COPPER ALLOY. FINISH: 100u" TIN OVER 50u" NICKEL
2. PRODUCT SPECIFICATION: GS-12-233.
3. THE HORIZONTAL AXIS FOR THE HOLE PATTERN IS ESTABLISHED BY A LINE THROUGH THE CENTER OF THE TWO  $\phi 2.35$  HOLES. THE VERTICAL AXIS IS 90° TO THE HORIZONTAL AXIS, THROUGH THE CENTER OF DATUM Z.
4. NO THE BAR PERMITTED FROM CARD EDGE TO LEADING EDGE OF PAD FOR PINS A1 AND PIN NUMBERS "F".
5. CHAMFER EDGES MUST BE FREE OF CUTTING BURS.
6. FREQUENCY & LOCATION AT SUPPLIER DISCRETION. RIDGE MAY BE CONTINUOUS WITH NO BREAKS.
7. ROHS COMPATIBLE PRODUCT SPECIFICATIONS:
  - a - PLATING:
    - "LF" MEANS THE PRODUCT IS LEAD-FREE.
    - b - MANUFACTURING PROCESS COMPATIBILITY:
      - THE HOUSING WILL WITHSTAND EXPOSURE TO 260°C±5°C TEMPERATURE FOR 10 SECONDS IN RE-FLOW APPLICATION, REFER TO GS-14-858 FOR OPERATING.

PRODUCT NUMBER CODE

10018783

LEAD FREE OPTION

HOUSING COLOR OPTIONS: 0-NATURAL, 1-BLACK

LEAVE BLANK FOR TERMINAL PLATING 3,4,5  
"LF" FOR TERMINAL PLATING OPTION 0,1,2

- PEGS OPTIONS:
- 0-PLASTIC PEGS
  - 1-METAL BOARD LOCKS
  - 2-SINGLE PLASTIC PEGS

POS OPTIONS

- 0-36
- 1-64
- 2-98
- 3-164

PACKAGING OPTIONS

- T-SOFT TRAY PACKAGING & MYLAR TAPE. SEE FIGURE 1
- M-SOFT TRAY PACKAGING (FOR 164P ONLY)
- Y-HARD TRAY PACKAGING (FOR 164P ONLY)
- Z-HARD TRAY PACKAGING WITH MYLAR (FOR 164P ONLY)
- E-HARD TRAY PACKAGING WITH ANTI-STATIC SHIELDING BAG (FOR 164P ONLY)
- R-TAPE & REEL PACKAGING (FOR 36, 64, 98P)
- A-TAPE & REEL PACKAGING WITH MYLAR (FOR 36, 64, 98P)

TAIL LENGTH OPTIONS

- TERMINAL PLATING OPTIONS:
- 0-50u" Ni UNDERPLATE
  - 30u" Au CONTACT AREA
  - 100u" TIN TAIL AREA
  - 1-50u" Ni UNDERPLATE
  - 15u" Au CONTACT AREA
  - 100u" TIN TAIL AREA
  - 2-50u" Ni UNDERPLATE
  - GOLD FLASH CONTACT AREA
  - 100u" TIN TAIL AREA
- COMPATIBLE ROHS

	DIM "D"	PCB THICKNESS	BOARD LOCKS DIM "G"
0	2.30 +0.25	1.56±0.10	1.70±0.15
1	3.10 +0.25	2.36±0.10	2.50±0.15
2	2.54±0.25	1.56±0.10	1.70±0.15
3	1.90±0.25	1.56±0.10	1.70±0.15

CONNECTOR	# POS REF.	N	DIM "A"	DIM "B"	DIM "C"	"E"
1 PORT	36	6	7.65	25.00	9.15	6.00
4 PORT	64	20	21.65	39.00	23.15	20.00
8 PORT	98	37	38.65	56.00	40.15	37.00
16 PORT	164	70	71.65	89.00	73.15	70.00

mat'l. code	surface	tolerance	projection	product family
105-0208M-W	09/15/05	tolerances unless otherwise specified	MM	EDGE CARD

lfr	ecm no	dr	date	tolerances unless otherwise specified	revision
T	105-0208M-W	09/15/05	1/20/10	X±0.30	
U	110-0007J-H	1/20/10	07/16/14	XX±0.20	
V	EX-06-18311	S-T	01/23/15	.XXX±0.10	
W	EX-06-2099	S-T	01/23/15		

sheet	revision	sheet	sheet	sheet	sheet	sheet	sheet	sheet	sheet	sheet	sheet	sheet	sheet



title: PCI EXPRESS GEN3 CARD EDGE ASSY

product family: EDGE CARD

dwg no: 10018783

sheet 6 of 7

Customer Drawing

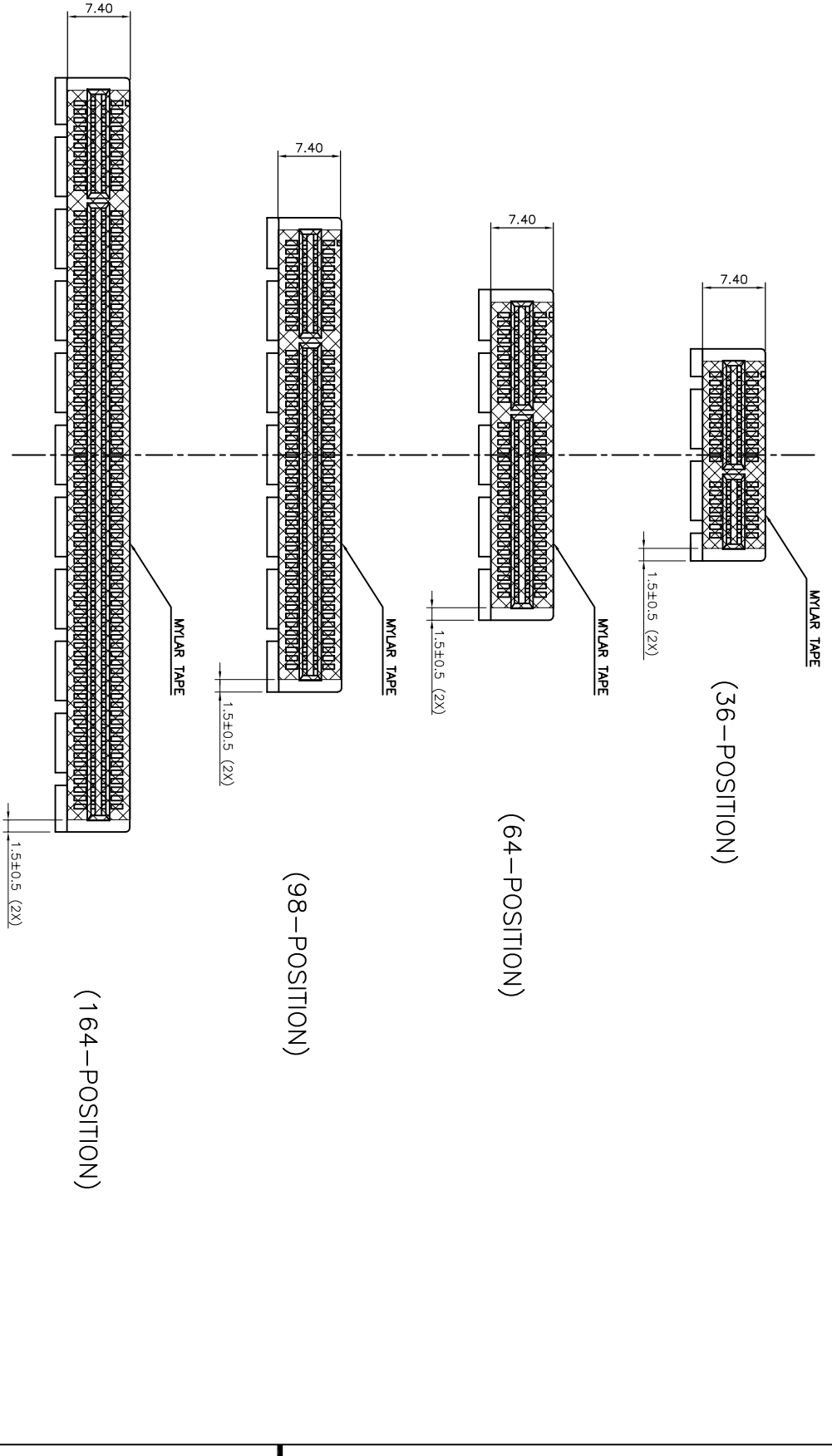


FIGURE 1

mat'l. code	surface ag./tolerance	projection	product family	EDGE CARD
lfr. ecn. no.	dr. date	reference unless otherwise specified	title	PCI EXPRESS GEN3 CARD EDGE ASSY
T 100-02081K-W/09/15/05	09/15/05	XX43.3H	MM	MM
U T10-0007-L-H 1/20/10	07/19/14	XX43.2H	scale 1.5:1	sheet 7 of 7 size
V 100-0007-L-H 1/20/10	07/19/14	XX43.1H	engr. Stone LI	10018783
W 100-0007-L-H 1/20/10	07/23/15	XX43.1H	chr. /	Customer Drawing
X 100-0007-L-H 1/20/10	07/23/15	XX43.1H	digit Collins Lu	07/23/15
sheet	revision			
index	sheet			