

NOTES: UNLESS OTHERWISE SPECIFIED

1. MATERIAL SPECIFICATIONS:

BODY, COUPLING NUT: BRASS PER ASTM B16.
 CENTER CONTACT: BERYLLIUM COPPER PER ASTM B-196.
 C RING: PHOSPHOR BRONZE PER ASTM B103.
 INSULATOR: TEFLON PER ASTM D1710.
 GASKET: SILICON RUBBER PER A-A-59588.

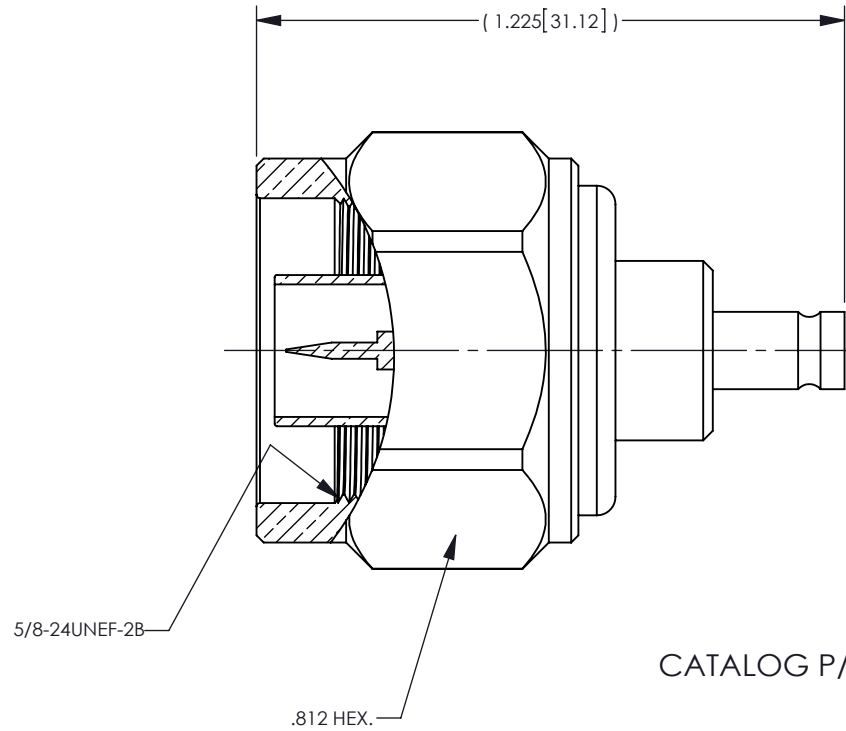
2. FINISH SPECIFICATIONS:

CENTER CONTACT: .000050 MIN GOLD PER ASTM B488 OVER .000080 MIN NICKEL PER AMS-QQ-N-290.
 BODY, COUPLING NUT: .000100 MIN NICKEL PER AMS-QQ-N-290 OVER COPPER FLASH PER ASTM B734.

3. ELECTRICAL SPECIFICATIONS:

IMPEDANCE: 75 OHMS.
 FREQUENCY RANGE: DC - 12 GHz.
 RETURN LOSS: -35 dB

REV	DESCRIPTION	BY DATE	APPD
02	REVISED PER ER35709	LL/60/11	LL



CATALOG P/N: 251H-034-00001N

PER ASME Y14.5M-1994 UNLESS OTHERWISE SPECIFIED: DIMENSIONS ARE IN INCHES [MM] TOLERANCES: DECIMAL: .XX [X.X] ± .01 [0.3] .XXX [X.XX] ± .005 [0.13] .XXXX [X.XXX] ± .XXXX ANGLES: ± 2° SCALE: 5:2				by WINCHESTER ELECTRONICS Winchester Electronics Corporation 62 Barnes Industrial Road North Wallingford, Connecticut 06492		
CUSTOMER SALES DRAWING			THIRD ANGLE			
DRAWN	DATE	APPROVED	DATE			
CY	05/17/11	DCam	05/27/11			
APPROVED	DATE	APPROVED	DATE			
XXX	XX/XX/XX	XXX	XX/XX/XX			
A				SD251H-034-00001N	SHT OF 1 1	REV 02