

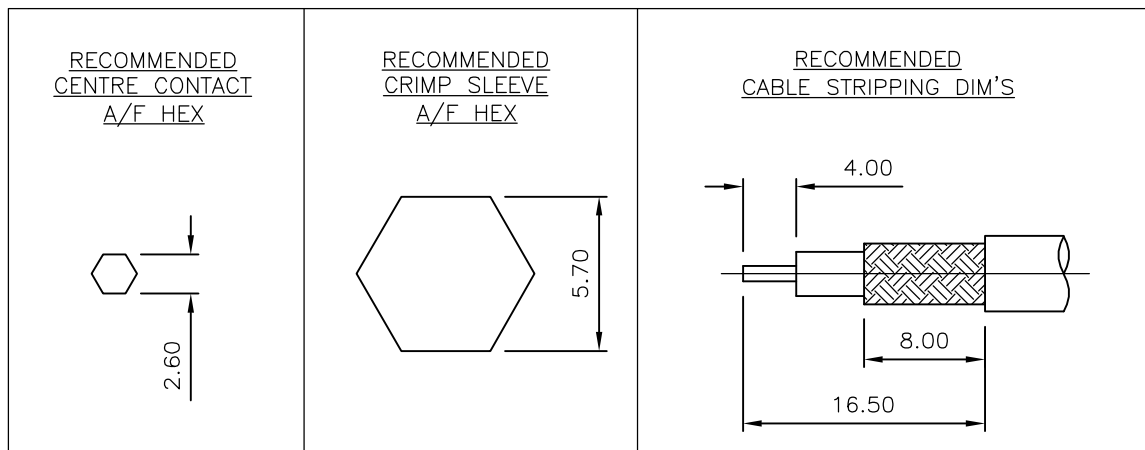
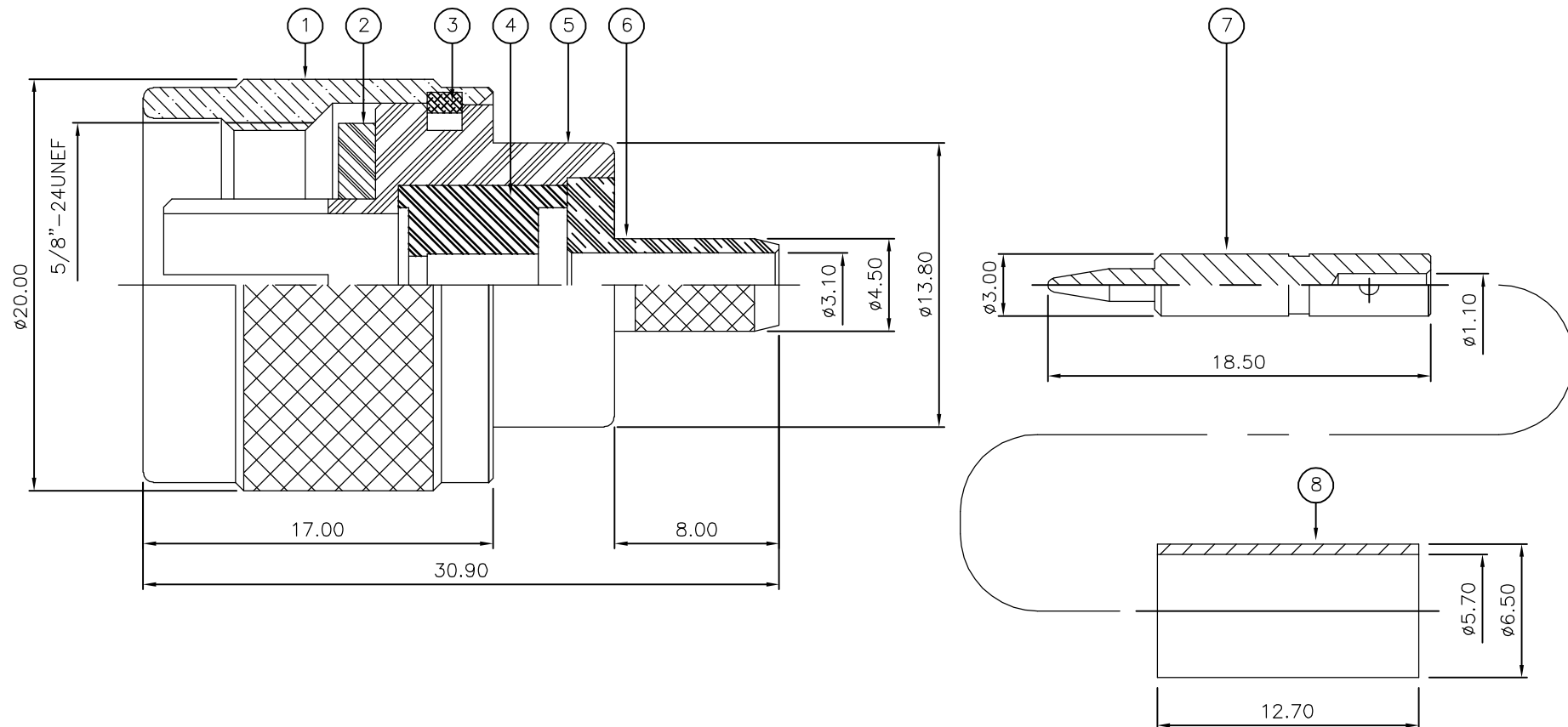
THIS DRAWING IS UNPUBLISHED. RELEASED FOR PUBLICATION AUGUST, 2006.

© COPYRIGHT 2006 BY TYCO ELECTRONICS CORPORATION. ALL RIGHTS RESERVED.

| LOC | DIST | REVISIONS | | | | | |
|-----|------|-----------|-----|---------------|---------|-----|------|
| E | B | P | LTR | DESCRIPTION | DATE | DWN | APVD |
| | | B | | ECR-06-017552 | 01AUG06 | JMS | FWK |

NOTES:

- 1 PACK IN ACCORDANCE WITH AMP SPEC 107-3275
- 2 100 TRAY PACK IN ACCORDANCE WITH AMP SPEC 107-3275
- 3 Au PLATING
- 4 Ni PLATING
- 5 THIS ITEM MUST BE WHITE
- 6 HAND TOOL : 9-1478240-0
- 7 DIE SET : 9-1478242-0
- 8 ELECTRICAL CHARACTERISTICS
 FREQUENCY RANGE: DC - 11 GHz
 NOMINAL IMPEDANCE: 50 Ohm
 INSULATION RESISTANCE: 5000 MOhm
 WORKING VOLTAGE: 1000 Volts RMS at Sea Level
 DIELECTRIC WITHSTAND VOLTAGE: 2500 Volts RMS Max
 CONTACT RESISTANCE:
 CENTRE CONTACT: 1.00 mOhm Max
 OUTER CONTACT: 1.00 mOhm Max
 VSWR @ 4GHz: 1.30:1 Max
 INSERTION LOSS dB @ x 4 GHz: 0.30 Max
- 9 MECHANICAL CHARACTERISTICS
 COUPLING NUT RETENTION FORCE: 445N Min
 CABLE RETENTION FORCE: 170N Min
 DURABILITY: 500 Cycles Min
- 10 ENVIRONMENTAL CHARACTERISTICS
 OPERATING TEMPERATURE: -65 to +165 DegC
- 11 FOR TECHNICAL DATA REFER TO YOUR LOCAL TYCO ELECTRONICS SALES OFFICE
- 12 ALL DIMENSIONS ARE NOMINAL FOR REFERENCE ONLY UNLESS OTHERWISE STATED



| QTY | UNIT | MATERIAL | DESCRIPTION | ITEM |
|------|------|-----------------|--------------|------|
| 1 | 1 | BRASS | FERRULE | 8 |
| 1 | 1 | BRASS | CONTACT | 7 |
| 1 | 1 | BRASS | CHASSIS | 6 |
| 1 | 1 | BRASS | BODY | 5 |
| 1 | 1 | PTFE | INSULATION | 4 |
| 1 | 1 | BRASS | CIRCLIP | 3 |
| 1 | 1 | SILICONE RUBBER | GASKET | 2 |
| 1 | 1 | BRASS | COUPLING NUT | 1 |
| 6--0 | 1--0 | | | |
| | | | | |

| | | | | |
|--|--|-----------------------------|--|---------------|
| THIS DRAWING IS A CONTROLLED DOCUMENT. | | DWN J.SANDWELL 01AUG06 | Tyco Electronics Corporation Bideford EX39 4HE | |
| DIMENSIONS: mm | | CHK S.PARLOW 01AUG06 | | |
| TOLERANCES UNLESS OTHERWISE SPECIFIED: | | APVD F.WHEELER-KING 01AUG06 | NAME | |
| 0 PLC ± - | | PRODUCT SPEC | TYPE 'N' STRAIGHT PLUG CRIMP 50 OHM RG55B/U, 142B/U, 223/U, 400/U, URM301, KX23 | |
| 1 PLC ± - | | APPLICATION SPEC | SIZE | RESTRICTED TO |
| 2 PLC ± - | | 411-3247 | CAGE CODE | |
| 3 PLC ± - | | WEIGHT - | DRAWING NO | |
| 4 PLC ± - | | CUSTOMER DRAWING | A3 00779 | |
| ANGLES ± - | | | ©-1478181 | |
| FINISH - | | | SCALE NTS | SHEET 1 OF 1 |
| | | | | REV B |