

The products listed in this catalog are only a few of the thousands of variations that TUSONIX produces. For custom applications please contact the factory direct.



513 Series Trimmer Capacitor

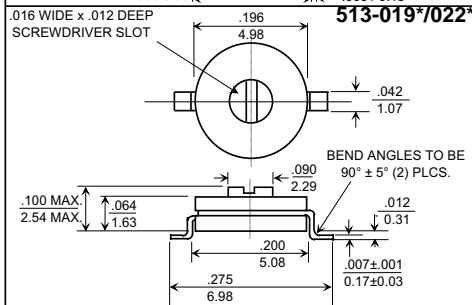
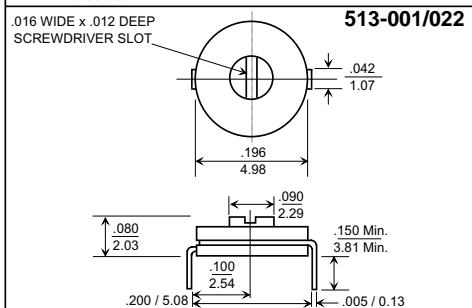
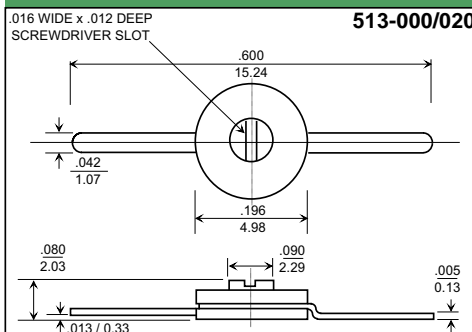


Outstanding Features

- ◆ Only .196"/4.98mm diameter x .080"/2.03 mm high.
- ◆ Ideal for wide range of products requiring real miniaturized capacitance trimming.
- ◆ Operates efficiently at -55°C to +85°C.
- ◆ Available in your choice of three basic terminal arrangements.
- ◆ No metal or mechanical attachments protruding beneath the base plane.

- ◆ Monolithic Rotor design offers optimum stability for higher capacitance ranges. Eliminates need to use unstable higher K dielectric materials. Monolithic construction offers greater ruggedness which cannot be achieved when using single plate construction, particularly with fragile Hi-K Dielectric materials.

TERMINAL VARIATIONS



*Variation 513-019/022 is supplied on tape and reel, for auto placement

For dimensions $\leq .125"/3.18\text{mm}$, tolerance is $\pm .005/0.13$

For dimensions $\geq .126"/3.20\text{mm}$, tolerance is $\pm .015/0.38$

APPLICATIONS

The smallest trimmer now gets smaller...this describes TUSONIX' Style 513 *VARI-Thin* Ceramic Trimmer Capacitor. Only .196" in diameter and .080" high the TUSONIX 513 is perfect for avionics apparatus, communications equipment, oscillo-

scopes, crystal oscillators, crystal filters...an almost endless variety of applications requiring miniaturized capacitance trimming. The tiny 513 *VARI-Thin* is available with three basic terminal arrangements as shown at left.

Ordering Data

Dielectric Type Code	Capacitance Range (pF)	-020, -021, -022
A	1.0-2.5	100
A	1.5-3.0	100
A	1.0-5.0	100
A	2.0-5.0	100
A	2.5-9.0	100
A	2.0-10.0	100
A	4.5-14.0	100
A	3.5-20.0	100
A	5.0-30.0	100
A	6.0-35.0	100
F	6.0-20.0	50
A	7.0-40.0	50

Specify series 513 followed by the three digit variation you select from the chart at the left. Then list the Dielectric type code from the table at the right and the corresponding Capacitance Range.
Example: 513-000 A 1-5

Minimum to maximum capacitance achieved through 180° rotation.

Specifications

Working Voltage 100Vdc to 85°C
Dielectric Strength Two Times WVdc for 1 to 5 seconds
Operating Temperature Range -55°C to +85°C
Q Factor @ 1 MHz 500 Min. (Dielectric Code A & F)

Insulation Resistance. 10 gigaohms minimum at 25°C \pm 5°C
Torque 0.3 to 2.0 oz. in.
Qualification Specification. Page 6

For other capacitance ranges and terminal arrangements call the nearest TUSONIX Sales office or call 520-744-0400.