



Raychem

TE Internal #: 418031-000

Twisted Pair Cable, MIL-DTL-27500, 600VAC Voltage Rating, 16AWG Wire Size, Operating Temperature Range -65 – 150 °C

[View on TE.com >](#)

Wire & Cable > Twisted Pair Cable



Cable Type: MIL-DTL-27500

Voltage Rating: 600 VAC

Insulation Material: Modified Radiation Cross-linked ETFE Polymer

Conductor Material: Tin-Coated Copper

Wire Size: 16 AWG

Features

Product Type Features

Product Classification	Cable - High Performance - Spec 44, 55 and RCW
Product Type	Cable
Cable Style	Primary
Cable Type	MIL-DTL-27500

Configuration Features

Number of Strands	19
-------------------	----

Electrical Characteristics

Voltage Rating	600 VAC
----------------	---------

Body Features

Wire Color	White with Blue Stripe, White with Orange Stripe, White
Insulation Material	Modified Radiation Cross-linked ETFE Polymer
Conductor Material	Tin-Coated Copper

Dimensions

	.166 in
Wire Diameter	.077 mm[.077 in]
Strand Size	29 AWG

Wire Size 16 AWG

Usage Conditions

Operating Temperature Range -65 – 150 °C[-85 – 302 °F]

Product Compliance

[For compliance documentation, visit the product page on TE.com>](#)

EU RoHS Directive 2011/65/EU	Compliant
EU ELV Directive 2000/53/EC	Compliant
China RoHS 2 Directive MIIT Order No 32, 2016	No Restricted Materials Above Threshold
EU REACH Regulation (EC) No. 1907/2006	Current ECHA Candidate List: JUN 2020 (209) Candidate List Declared Against: JAN 2019 (197) Does not contain REACH SVHC
Halogen Content	Out of Scope - excluded from Halogen requirements
Solder Process Capability	Not applicable for solder process capability

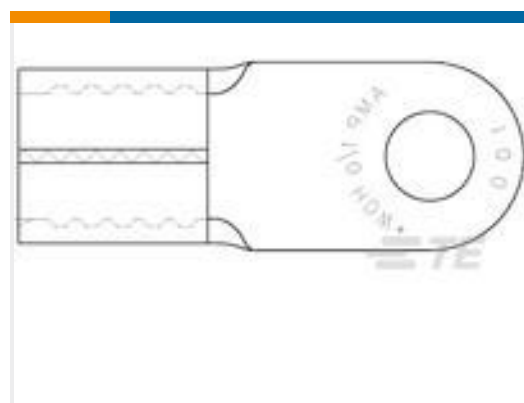
Product Compliance Disclaimer

This information is provided based on reasonable inquiry of our suppliers and represents our current actual knowledge based on the information they provided. This information is subject to change. The part numbers that TE has identified as EU RoHS compliant have a maximum concentration of 0.1% by weight in homogenous materials for lead, hexavalent chromium, mercury, PBB, PBDE, DBP, BBP, DEHP, DIBP, and 0.01% for cadmium, or qualify for an exemption to these limits as defined in the Annexes of Directive 2011/65/EU (RoHS2). Finished electrical and electronic equipment products will be CE marked as required by Directive 2011/65/EU. Components may not be CE marked. Additionally, the part numbers that TE has identified as EU ELV compliant have a maximum concentration of 0.1% by weight in homogenous materials for lead, hexavalent chromium, and mercury, and 0.01% for cadmium, or qualify for an exemption to these limits as defined in the Annexes of Directive 2000/53/EC (ELV). Regarding the REACH Regulation, the information TE provides on SVHC in articles for this part number is based on the latest European Chemicals Agency (ECHA) 'Guidance on requirements for substances in articles' posted at this URL: <https://echa.europa.eu/guidance-documents/guidance-on-reach>

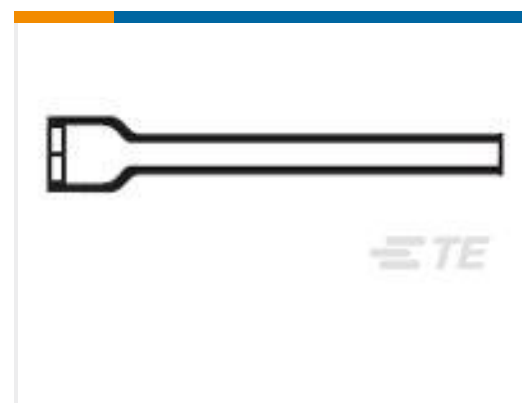
Compatible Parts



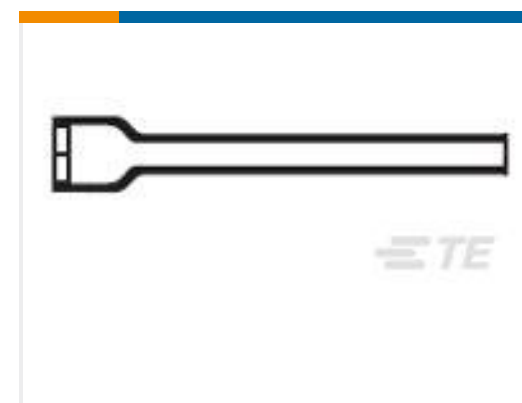
Customers Also Bought



TE Model / Part #1958430-1
TERMINAL,STRATO, HR, R, 1/0HD, 5 /16 STUD



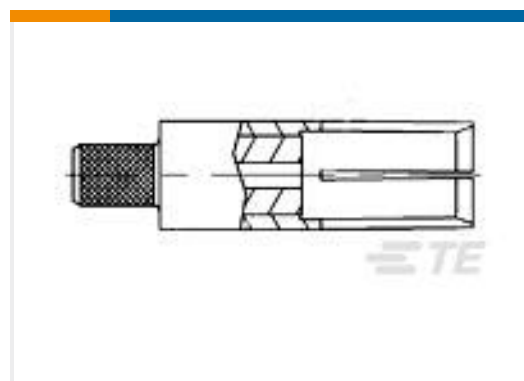
TE Model / Part #424246-000
202F232-71/42-0




TE Model / Part #218457-000
202F253-71/42-0



TE Model / Part #YDTS24W21-11SAV001
RECP ASSY



TE Model / Part #225791-8
ARINC - SKT SIZE 5



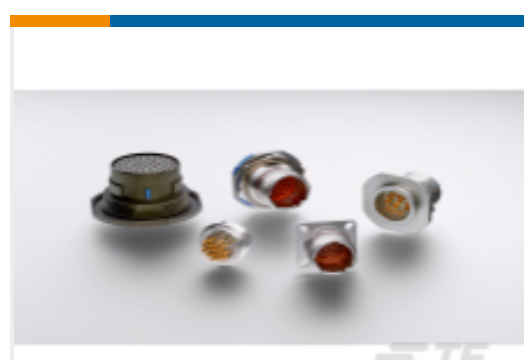
TE Model / Part #128545-000
55A0831-14-MST3-CS2275



TE Model / Part #1-1616520-0
BH316C=RELAY



TE Model / Part #YDTS24W25-04SBV001
RECP ASSY



TE Model / Part #YDTS24W25-24PBV001
RECP ASSY



TE Model / Part #1617168-9
JMST-26XLS = M28776/3-046L

Documents

Product Drawings

[55A0831-16-9/93/96CS2275](#)

English

Datasheets & Catalog Pages

[1654025_Sec9_SPEC55](#)

English

[Raychem Wire and Cable Quick Reference Guide](#)

English

Product Specifications

[Product Specification](#)

English