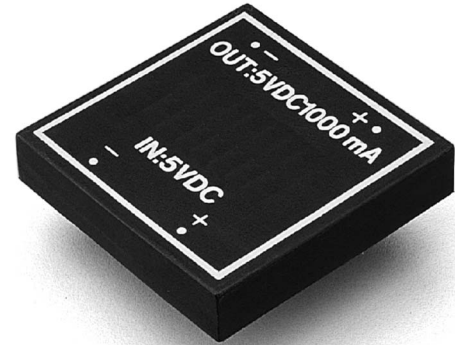


Features

- High performance
- Efficiency to 60%
- Regulated Outputs
- Pi Input Filter
- Low Ripple and Noise
- 500 VDC Isolation



Model Number	Input Voltage	Output Voltage	Output Current	Input Current		Alt pin out	Case
				No Load	Full Load		
VCS6-S5-S5	5VDC	5VDC	1000mA	60mA	1700mA	S	C
VCS6-S5-S12	5VDC	12VDC	470mA	70mA	1750mA	S	C
VCS6-S5-S15	5VDC	15VDC	400mA	70mA	1800mA	S	C
VCS6-S5-D12	5VDC	±12VDC	±230mA	130mA	1700mA	S	C
VCS6-S5-D15	5VDC	±15VDC	±190mA	140mA	1700mA	S	C
VCS6-S12-S5	12VDC	5VDC	1000mA	40mA	690mA	S	C
VCS6-S12-S12	12VDC	12VDC	470mA	40mA	700mA	S	C
VCS6-S12-S15	12VDC	15VDC	400mA	40mA	750mA	S	C
VCS6-S12-D12	12VDC	±12VDC	±230mA	60mA	710mA	S	C
VCS6-S12-D15	12VDC	±15VDC	±190mA	60mA	710mA	S	C
VCS6-S24-S5	24VDC	5VDC	1000mA	20mA	350mA	S	C
VCS6-S24-S12	24VDC	12VDC	470mA	20mA	340mA	S	C
VCS6-S24-S15	24VDC	15VDC	400mA	20mA	360mA	S	C
VCS6-S24-D12	24VDC	±12VDC	±230mA	35mA	360mA	S	C
VCS6-S24-D15	24VDC	±15VDC	±190mA	35mA	360mA	S	C
VCS6-S28-S5	28VDC	5VDC	1000mA	20mA	290mA	S	C
VCS6-S28-S12	28VDC	12VDC	470mA	20mA	300mA	S	C
VCS6-S28-S15	28VDC	15VDC	400mA	20mA	310mA	S	C
VCS6-S28-D12	28VDC	±12VDC	±230mA	25mA	290mA	S	C
VCS6-S28-D15	28VDC	±15VDC	±190mA	25mA	290mA	S	C
VCS6-S48-S5	48VDC	5VDC	1000mA	14mA	170mA	S	C
VCS6-S48-S12	48VDC	12VDC	470mA	14mA	170mA	S	C
VCS6-S48-S15	48VDC	15VDC	400mA	14mA	180mA	S	C
VCS6-S48-D12	48VDC	±12VDC	±230mA	20mA	170mA	S	C
VCS6-S48-D15	48VDC	±15VDC	±190mA	20mA	170mA	S	C

Input

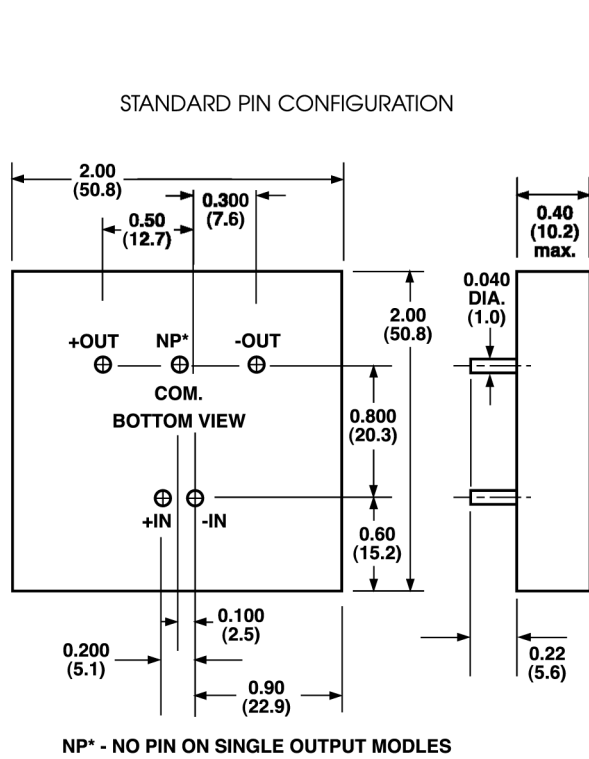
Input Voltage Range	±10%
Input Filter	PI Type

Output

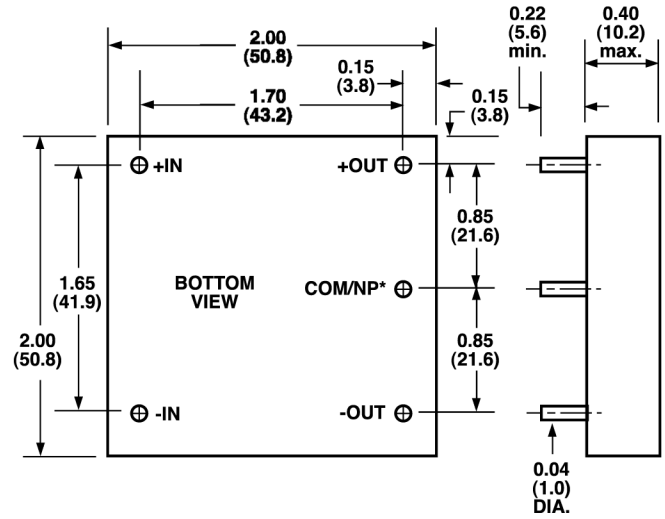
Voltage Accuracy	±1% max.
Voltage Balance, Dual Output	±0.5% max.
Ripple & Noise 20MHz BW,	
Single Output	50mV p-p., max
Dual Output	35mV p-p., max
Temperature Coefficient	
Single Output	±0.02%/°C
Dual Output	±0.01%/°C
Short Circuit Protection	Short Term
Line Regulation ¹	±0.02% max
Load Regulation ²	±0.05% max

General Specifications

Efficiency	60%
Isolation Voltage	500VDC min.
Isolation Capacitance	80pF
Isolation Resistance	10 ⁹ Ohms
Switching Frequency	20KHz, min.
Operating Temperature Range	-25°C to +71°C
Storage Temperature	-40°C to +100°C
Case Temp.	
Plastic Case	95°C max.
Copper Case	100°C max.
Cooling	Free Air Convection
EMI/RFI	Six sided continuous shield
Dimensions	2x2x0.4 inches (50.8x50.8x10.2mm)
Case Material	
Standard Models	Non-Conductive Black Plastic
Suffix "M" Models	Black Coated Copper with Non-Conductive Base

Case C


ALTERNATE PIN CONFIGURATION SUFFIX "S"



INPUT VOLTAGE	60% FL	80% FL	100% FL
5V	4.4-6.5V	4.5-6.0V	4.65-5.5V
12V	10.56-15.6V	10.8-14.4V	11.16-13.2V
24V	21.12-31.2V	21.6-28.8V	22.32-26.4V
28V	24.64-36.4V	25.2-33.6V	26.04-30.8V
48V	42.24-62.4V	43.2-57.6V	44.64-52.8V