



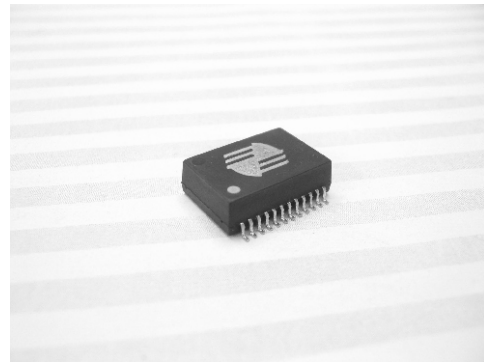




-  Dual Port package contains Transformers with optional Common Mode Chokes on both transmit and receive channels
-  Designs matched to leading transceivers ICs
-  Operating temperature -40°C to +85°C
-  Isolation voltage: 1500Vrms

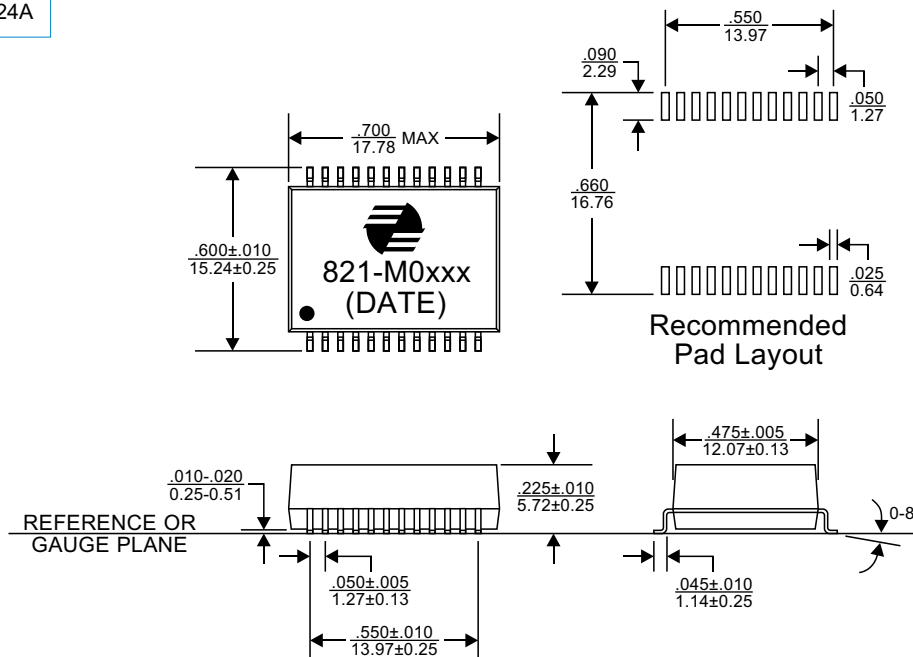


ELECTRICAL SPECIFICATION @25°C

Part Number		Turns Ratio (Pri: Sec ±2%)		OCL Secondary (mH Min)	C _{ww} (pF Max)	DCR Primary (Max)	Schematic	Primary Pins	
w/ CMC	w/o CMC	Tx	Rx					Tx	Rx
821-M0684	821-M0578	1CT:2.4CT	1CT:1CT	1.20	35	0.80	2	1-3 & 10-12	21-19 & 18-16
821-M0685	821-M0565	1CT:2.42CT	1CT:2.42CT	1.20	25	0.80	1	4-6 & 10-12	1-3 & 7-9
821-M0686	821-M0576	1CT:2CT	1CT:1CT	1.20	35	0.80	1	4-6 & 10-12	24-22 & 18-16
821-M0687	821-M0571	1CT:1.15CT	1CT:1.15CT	1.20	35	0.80	1	4-6 & 10-12	1-3 & 7-9
821-M0688	821-M0572	1CT:1.41CT	1CT:1.41CT	1.20	30	0.80	2	1-3 & 10-12	21-19 & 18-16
821-M0689	821-M0564	1CT:2CT	1CT:2CT	1.20	25	0.80	1	4-6 & 10-12	1-3 & 7-9
821-M0690	821-M0567	1CT:2CT	1CT:2CT	1.20	25	0.80	2	1-3 & 10-12	21-19 & 18-16
821-M0691	821-M0575	1CT:2.3CT	1CT:1CT	1.20	35	0.80	1	4-6 & 10-12	24-22 & 18-16
821-M0692	821-M0568	1CT:1.36CT	1CT:2CT	1.20	35	0.80	1	4-6 & 10-12	24-22 & 18-16
821-M0693	821-M0569	1CT:1.36CT	1CT:1CT	1.20	35	0.80	1	4-6 & 10-12	24-22 & 18-16
821-M0694	821-M0574	1CT:1.15CT	1CT:2CT	1.20	35	0.80	1	4-6 & 10-12	1-3 & 7-9

MECHANICAL DIMENSIONS

Package: SO024A



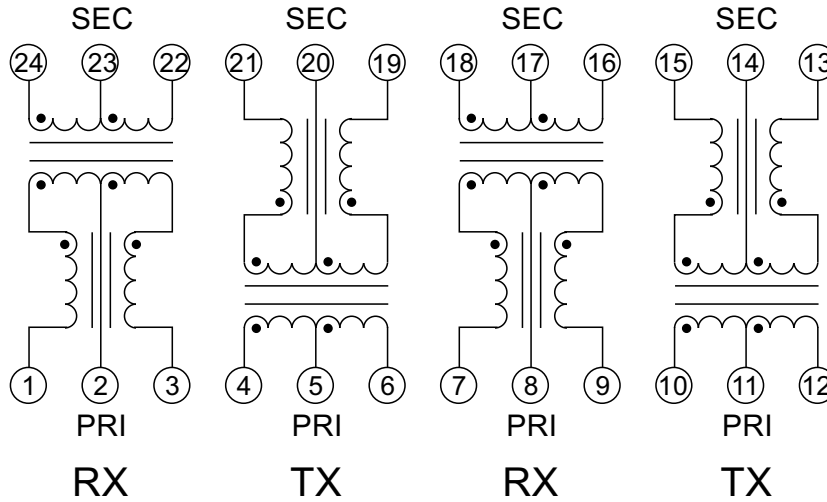
Notes: All dimensions are specified in $\frac{\text{inches}}{\text{mm}}$ with higher precedence in inches.
Unless otherwise specified, all tolerances are $\pm \frac{.010}{0.25}$.

Weight (in gram)	:	2.4 Typ.
Tape & Reel	:	450 / reel

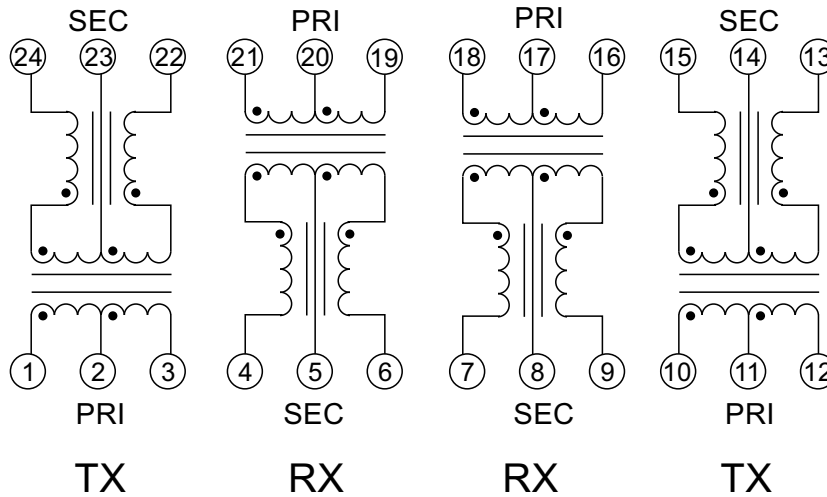


Schematics

Schematic 1



Schematic 2



FOR MORE INFORMATION, PLEASE CONTACT

HEADQUARTER
Unit B10, 3/F., Merit Industrial Centre,
94 Tokwawan Road, Kowloon,
Hong Kong
Tel: (852) 2954 3333
Fax: (852) 2954 3304
Email: eempl@eleceltek.com
Website: <http://www.eleceltek.com>

Information herein is for reference only and subject to change without notice. It does not constitute any representation, warranty or commitment of the company in respect of the products in any aspect. All logos, brands and product names mentioned herein are trademarks or registered trademarks of their respective owners. The company does not assume any liability arising out of the application or use of any product or circuit described herein Copyrights 2004, E & E Magnetic Products Limited.