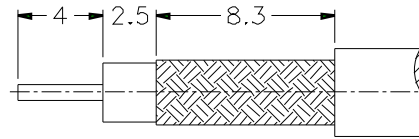
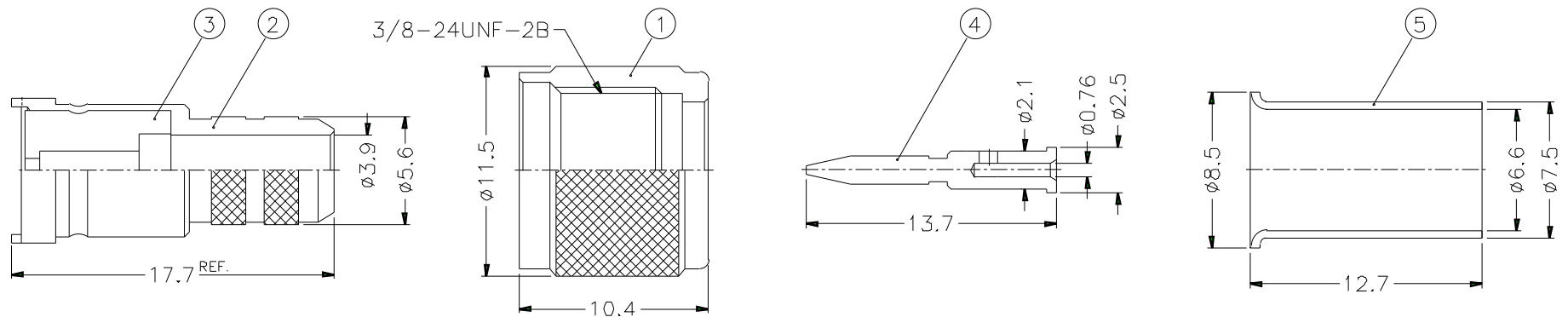


REVISIONS		
ISS	ZONE	DESCRIPTION\PER REQUEST\DATE



RECOMMENDED
CABLE STRIPPING DIM'S



NOTES: FINISH (PLATING THICKNESS IN MICRO-INCHES)

- 1. BRASS PER QQ-B-626
- 2. NICKEL PL. 100 MIN. THICK OVER COPPER STRIKE
- 3. GOLD PL. 3 MIN. THICK OVER NICKEL PL. 100 MIN. THICK OVER COPPER STRIKE
- 4. TEFLON MIL-P-19468
- 5. JIS H 3250, C 2700

- 1. CRIMPED FERRULE
HEX CRIMP SIZE .255"
- 2. CRIMPED CONTACT PIN
HEX CRIMP SIZE .068"

5	FERRULE	NOTE 5	NOTE 2	1	FR-85/66-75/66 X127	DIMENSIONS ARE IN MILLIMETERS UNLESS OTHERWISE SPECIFIED TOLERANCES 0.5-6 = ±0.2 6-30 = ±0.4 30-120 = ±0.6 120-315 = ±1 315-1000 = ±1.6 1000-2000 = ±2.4			PART NO.	MU1121A1-NT3G-3-50	<h1>Amphenol</h1>			
4	CONTACT PIN	NOTE 1	NOTE 3	1	MU5000-4-25/076				APPROVED	DATE		10-11-01'	TITLE	MINI-UHF CRIMP PLUG
3	INSULATOR	NOTE 4	NATURAL	1	MU5000-3T-50-B				CHECKED	DATE		10-11-01'	DRAWING NO.	KJ-MU1121A1-NT3G-59U-50
2	BODY	NOTE 1	NOTE 2	1	MU5000-2-56/39-A				DRAWN	DATE		10-11-01'	ITEM NO.	
1	SHELL	NOTE 1	NOTE 2	1	MU5000-1									
NO.	DESCRIPTION	MATERIAL	FINISH	Q'TY	DRAWING NO.	SCALE	3/1	ISSUE	A	FILE NO.				

1	2	3	4	5	6	7	8
---	---	---	---	---	---	---	---