



www.niccomp.com/pcn | Technical Support: tpmg@niccomp.com

Issued: June 28th, 2022

SUB: EOL Notice

Product Type: Radial Leaded Double Layer Capacitors
 NIC Series: NEZB, NEZHL, NEZHC, NEZX, NEZVL and NEZVN Series
 Product Specification:

- <http://www.niccomp.com/products/catalog/nezb.pdf>
- <http://www.niccomp.com/products/catalog/nezhl.pdf>
- <http://www.niccomp.com/products/catalog/nezhc.pdf>
- <http://www.niccomp.com/products/catalog/nezx.pdf>
- http://www.niccomp.com/products/catalog/nezvn_nezvl.pdf

Notification: End of Life Notification

The following is notice of end of life for the NEZB, NEZHL, NEZHC, NEZX, NEZVL and NEZVN series.

Effective: July 28th, 2022

Last Order Date: January 31st, 2023 for established customers with existing business and due to limited allocation purchases are restricted to past history of shipping quantities

Last Ship Date: March 30th, 2024 for established customers with existing business

Reason for Discontinuation: Low Demand

Part Number	Capacitance (F)	Voltage	Size (mm)	Possible Alternative
NEZB473Z5.5V13.5X7.5F	0.047	5.5	13.5X7.5	NEXS473Z5.5V13X8.5F
NEZB104Z5.5V13.5X7.5F	0.1	5.5	13.5X7.5	NEXS104Z5.5V16.5X8.5F
NEZB224Z5.5V13.5X7.5F	0.22	5.5	13.5X7.5	NEXS224Z5.5V16.5X13F
NEZB334Z5.5V13.5X7.5F	0.33	5.5	13.5X7.5	N/A
NEZB474Z5.5V21.5X8F	0.47	5.5	21.5X8	NEXS474Z5.5V21.5X13
NEZB105Z5.5V21.5X8F	1	5.5	21.5X8	NEXS105Z5.5V28.5X14
NEZB155Z5.5V21.5X8F	1.5	5.5	21.5X8	N/A
NEZHL473Z5.5V13.5X9.5F	0.047	5.5	13.5X9.5	NEXS473Z5.5V13X8.5F
NEZHL104Z5.5V13.5X9.5F	0.1	5.5	13.5X9.5	NEXS104Z5.5V16.5X8.5F
NEZHL224Z5.5V13.5X9.5F	0.22	5.5	13.5X9.5	NEXS224Z5.5V16.5X13F
NEZHL474Z5.5V21.5X9.5F	0.47	5.5	21.5X9.5	NEXS474Z5.5V21.5X13F
NEZHL105Z5.5V21.5X9.5F	1	5.5	21.5X9.5	NEXS105Z5.5V21.5X13F
NEZHC473Z5.5V13.5X9.5F	0.047	5.5	13.5X9.5	NEXS473Z5.5V13X8.5F
NEZHC104Z5.5V13.5X9.5F	0.1	5.5	13.5X9.5	NEXS104Z5.5V16.5X8.5F
NEZHC224Z5.5V13.5X9.5F	0.22	5.5	13.5X9.5	NEXS224Z5.5V16.5X13F
NEZHC474Z5.5V21.5X9.5F	0.47	5.5	21.5X9.5	NEXS474Z5.5V21.5X13
NEZHC684Z5.5V21.5X9.5F	0.68	5.5	21.5X9.5	NEXS105Z5.5V21.5X13F
NEZHC105Z5.5V21.5X9.5F	1	5.5	21.5X9.5	NEXS105Z5.5V21.5X13F



NIC Components Corp.

www.niccomp.com/pcn | Technical Support: tpmg@niccomp.com

Part Number	Capacitance (F)	Voltage	Size (mm)	Possible Alternative
NEZX473Z5.5VV11.5X13F	0.047	5.5	11.5X13	NEXS473Z5.5V13X8.5F
NEZX473Z5.5VH11.5X5F	0.047	5.5	11.5X5	N/A
NEZX104Z5.5VV11.5X13F	0.1	5.5	11.5X13	N/A
NEZX104Z5.5VH11.5X5F	0.1	5.5	11.5X5	N/A
NEZX224Z5.5VV11.5X13F	0.22	5.5	11.5X13	N/A
NEZX224Z5.5VH11.5X5F	0.22	5.5	11.5X5	N/A
NEZX334Z5.5VV11.5X13F	0.33	5.5	11.5X13	N/A
NEZX334Z5.5VH11.5X5F	0.33	5.5	11.5X5	N/A
NEZX105Z5.5VV19X20.5F	1	5.5	19X20.5	NEXT105Z5.5V21.5X13F
NEZX155Z5.5VV19X20.5F	1.5	5.5	19X20.5	NEXG225Z5.5V21.5X19F
NEZX474Z5.5VV11.5X13F	0.47	5.5	11.5X13	NEXS473Z5.5V13X8.5F
NEZX474Z5.5VH11.5X5F	0.47	5.5	11.5X5	N/A
NEZX474Z5.5VV19X20.5F	0.47	5.5	19X20.5	NEXS474Z5.5V21.5X13
NEZVL473Z5.5V12.5x10.5TRF	0.047	5.5	12.5x10.5	N/A
NEZVL104Z5.5V12.5x10.5TRF	0.1	5.5	12.5x10.5	NEXCW473Z5.5V10.7X5.5TRF
NEZVL224Z5.5V12.5x10.5TRF	0.22	5.5	12.5x10.5	NEXCW224Z5.5V10.7X8.5TRF
NEZVN473Z5.5V12.5x8.5TRF	0.047	5.5	12.5x8.5	NEXC473Z5.5V10.5X5.5TRF
NEZVN104Z5.5V12.5x8.5TRF	0.1	5.5	12.5x8.5	NEXC104Z5.5V10.5X5.5TRF
NEZVN224Z5.5V12.5x8.5TRF	0.22	5.5	12.5x8.5	NEXC224Z5.5V10.5X8.5TRF

Prepared by: Technical Product Marketing Group / tpmg@niccomp.com

➔ Follow NIC PCN alerts to get email notifications of EOL and PCN announcements at www.niccomp.com/pcn

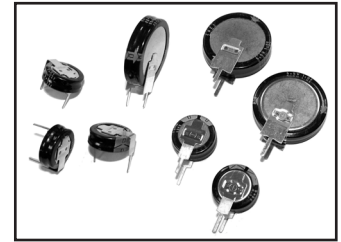
Use our Quickbuilder tool to find possible alternatives for the discontinued NACK parts:

http://www.niccomp.com/QuickBUILDER/qb_capacitor.php

FEATURES

- DOUBLE LAYER CAPACITOR
- THIN PROFILE PACKAGE
- SUITABLE FOR FLOW SOLDERING
- LEAD-FREE FINISH

RoHS Compliant
includes all homogeneous materials



CHARACTERISTICS

Rated Voltage Range	5.5VDC	
Rated Capacitance Range	0.047F ~ 1.5F (47,000µF ~ 1,500,000µF)	
Operating Temp. Range	-25°C ~ +70°C	
Capacitance Tolerance	+80%/-20% (Z)	
Load Life Test @ 70°C 1,000 hours	Δ Capacitance Change	Less than ±30% of initial measured value
	Maximum ESR	Less than 400% of the specified maximum value
Temperature Characteristics -25°C & +70°C	Δ Capacitance Change	Within +30% of 20°C value
	Maximum ESR	Less than 5x 20°C value
Shelf Life @ +70°C (1,000 hours)	Δ Capacitance Change	Less than ±30% of initial measured value
	Maximum ESR	Less than 400% of the specified maximum value

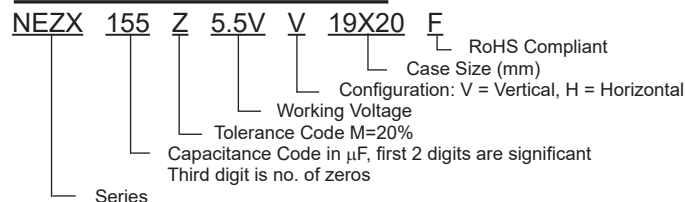
Super Capacitor Application Guide

STANDARD VALUES AND SPECIFICATIONS

NIC P/N	Case Size (mm)	Capacitance (F)	Holding Voltage VDC min.)*	Max. Leakage Current @ minutes (µA)	Maximum ESR @ 1KHz (Ω)
NEZX473Z5.5VV11.5X13F	11.5x13.0	0.047	4.0	69 @ 30 minutes	120
NEZX473Z5.5VH11.5X5F	11.5x5.0				
NEZX104Z5.5VV11.5X13F	11.5x13.0	0.1	4.0	100 @ 30 minutes	75
NEZX104Z5.5VH11.5X5F	11.5x5.0				
NEZX224Z5.5VV11.5X13F	11.5x13.0	0.22	4.0	135 @ 30 minutes	75
NEZX224Z5.5VH11.5X5F	11.5x5.0				
NEZX334Z5.5VV11.5X13F	11.5x13.0	0.33	4.0	182 @ 30 minutes	75
NEZX334Z5.5VH11.5X5F	11.5x5.0				
NEZX474Z5.5VV11.5X13F	11.5x13.0	0.47	4.0	300 @ 30 minutes	75
NEZX474Z5.5VH11.5X5F	11.5x5.0				
NEZX474Z5.5VV19X20.5F	19.0x20.5				
NEZX105Z5.5VV19X20.5F	19.0x20.5	1.0	4.0	315 @ 30 minutes	30
NEZX155Z5.5VV19X20.5F	19.0x20.5	1.5	4.0	450 @ 60 minutes	30

*Minimum voltage at 24 hours after charging for 1 hour at 5VDC.

PART NUMBER SYSTEM



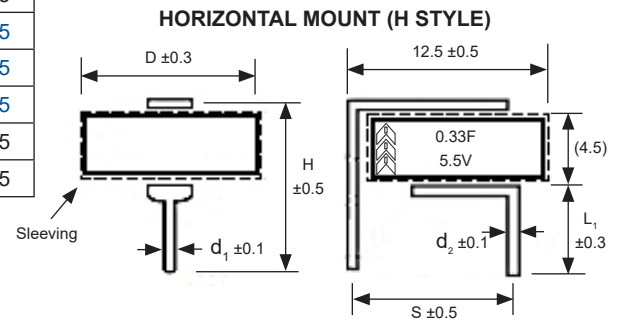
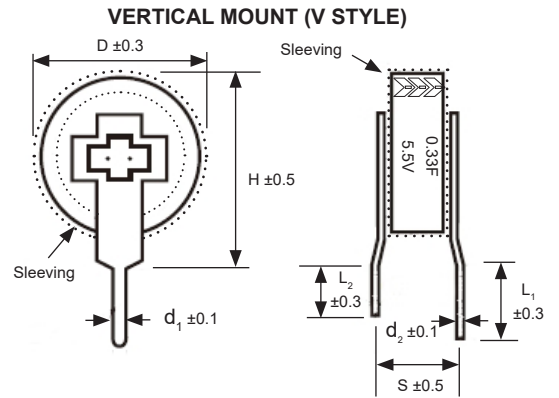
PRECAUTIONS

Please review the notes on correct use, safety and precautions found at https://www.niccomp.com/resource/files/double/Double_Layer_Capacitor_Guide_0810-RevBrA7.pdf
If in doubt or uncertainty, please review your specific application - process details with NIC's technical support personnel: tpmg@niccomp.com

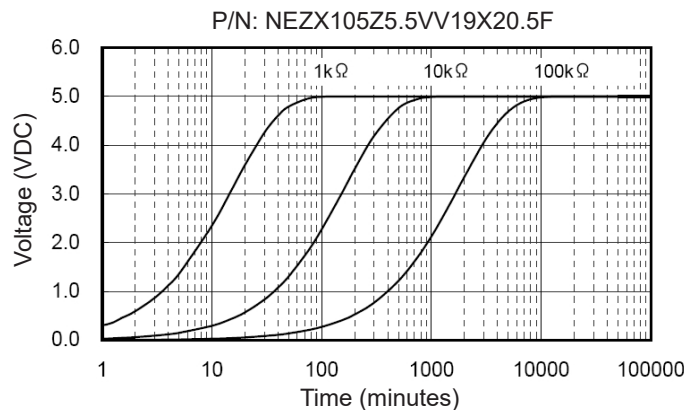
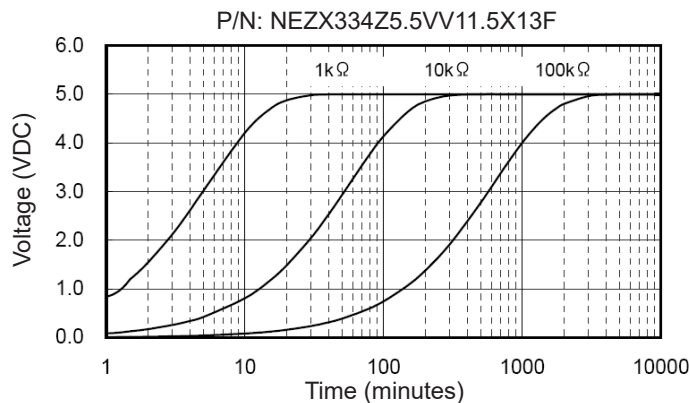


CASE DIMENSIONS (mm)

NIC P/N	DIMENSIONS (mm)						
	D	H	S	L ₁	L ₂	d ₁ nom.	d ₂ nom.
NEZX473Z5.5VV11.5X13F	11.5	13.0	5.0	5.0	4.0	0.8	0.15
NEZX473Z5.5VH11.5X5F	11.5	5.0	10.0	5.0	n/a	0.8	0.15
NEZX104Z5.5VV11.5X13F	11.5	13.0	5.0	5.0	4.0	0.8	0.15
NEZX104Z5.5VH11.5X5F	11.5	5.0	10.0	5.0	n/a	0.8	0.15
NEZX224Z5.5VV11.5X13F	11.5	13.0	5.0	5.0	4.0	0.8	0.15
NEZX224Z5.5VH11.5X5F	11.5	5.0	10.0	5.0	n/a	0.8	0.15
NEZX334Z5.5VV11.5X13F	11.5	13.0	5.0	5.0	4.0	0.8	0.15
NEZX334Z5.5VH11.5X5F	11.5	5.0	10.0	5.0	n/a	0.8	0.15
NEZX474Z5.5VV11.5X13F	11.5	13.0	5.0	5.0	4.0	0.8	0.15
NEZX474Z5.5VH11.5X5F	11.5	5.0	10.0	5.0	n/a	0.8	0.15
NEZX474Z5.5VV19X20.5F	19.0	20.5	5.0	5.0	4.0	1.0	0.15
NEZX105Z5.5VV19X20.5F	19.0	20.5	5.0	5.0	4.0	1.0	0.15
NEZX155Z5.5VV19X20.5F	19.0	20.5	5.0	5.0	4.0	1.0	0.15



NEZX CHARGE CHARACTERISTICS



NEZX DISCHARGE CHARACTERISTICS

